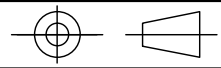
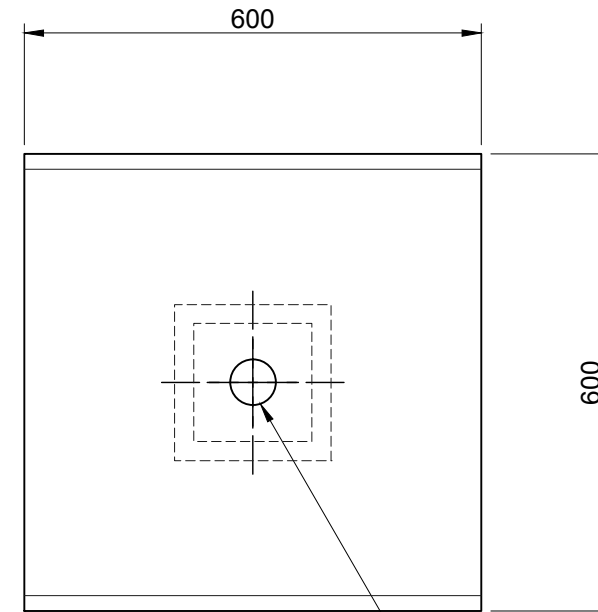


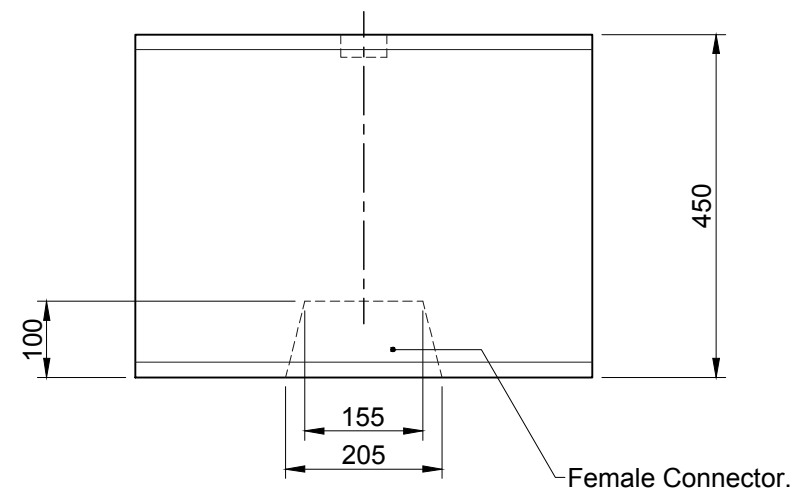
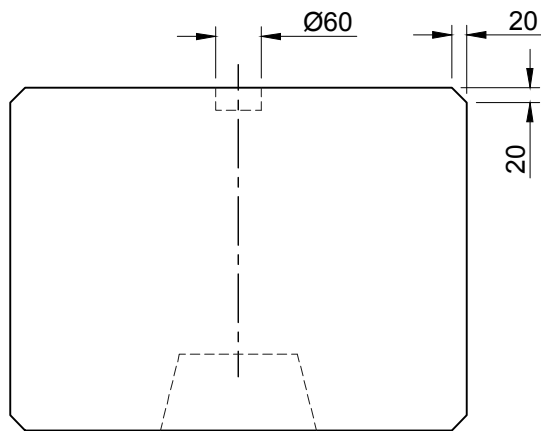
PROJECTION



Total Block Weight : 375Kg



Ø60mm Dia Semi-Spherical Recess in Gravitational Centre of Block for 'Deha' type Lifting Pin (n.b. Lifting Pin 180mm Long). (Lifting Pin is rated to 2.5 tonnes with a safety factor of 3).



Female Connector.

						O	17.12.14	For Information					CTC	RD
REV	DATE	REASON FOR ISSUE			DRN	APP	REV	DATE	REASON FOR ISSUE			DRN	APP	
TITLE :						Duo™ Interlock Block 600 x 600 x 450mm (Female) Elite Product Code : BL1 (F)			ELITE PRECAST CONCRETE LIMITED HALESFIELD 9, TELFORD SHROPSHIRE TF7 4QW					
DRN :	CTC	CHKD :	RD	DATE :	17-12-14	DRG SIZE :	A3	SCALE :	1:10	DRG	186	REV	O	