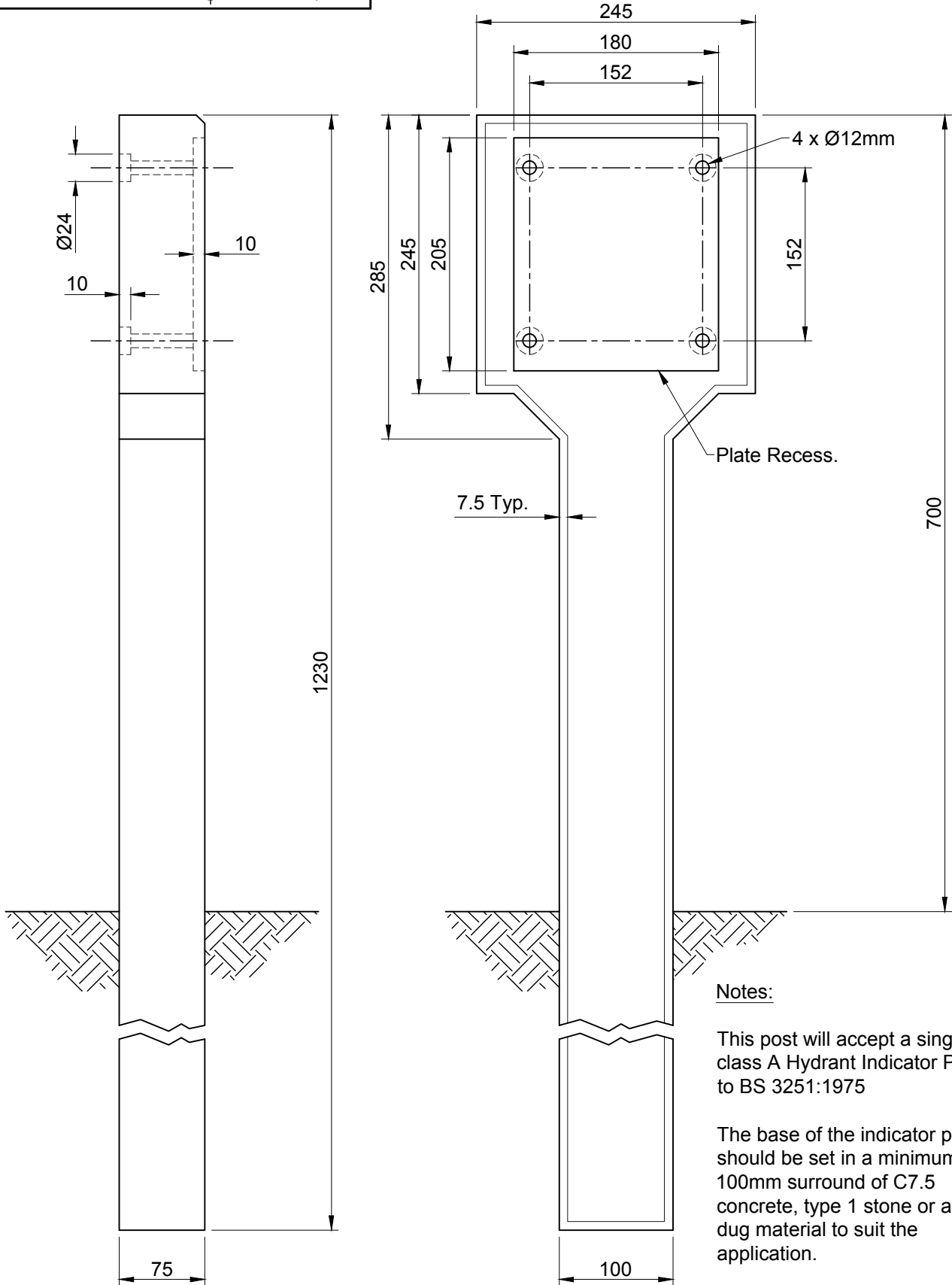
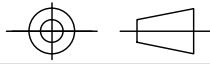


PROJECTION



Notes:

This post will accept a single class A Hydrant Indicator Plate to BS 3251:1975

The base of the indicator post should be set in a minimum 100mm surround of C7.5 concrete, type 1 stone or as dug material to suit the application.

Unit Weight 26kg

A	10.03.14	Title Block Updated.	CTC	RD	O	15.07.10	For Information	CTC	RD				
REV	DATE	REASON FOR ISSUE	DRN	APP	REV	DATE	REASON FOR ISSUE	DRN	APP				
TITLE :			ELITE PRECAST CONCRETE LIMITED HALESFIELD 9, TELFORD SHROPSHIRE TF7 4QW										
Hydrant Indicator Post			Elite Product Code : -										
DRN :	CTC	CHKD :	RD	DATE :	15-07-10	DRG SIZE :	A4	SCALE :	1:5	DRG	024	REV	A