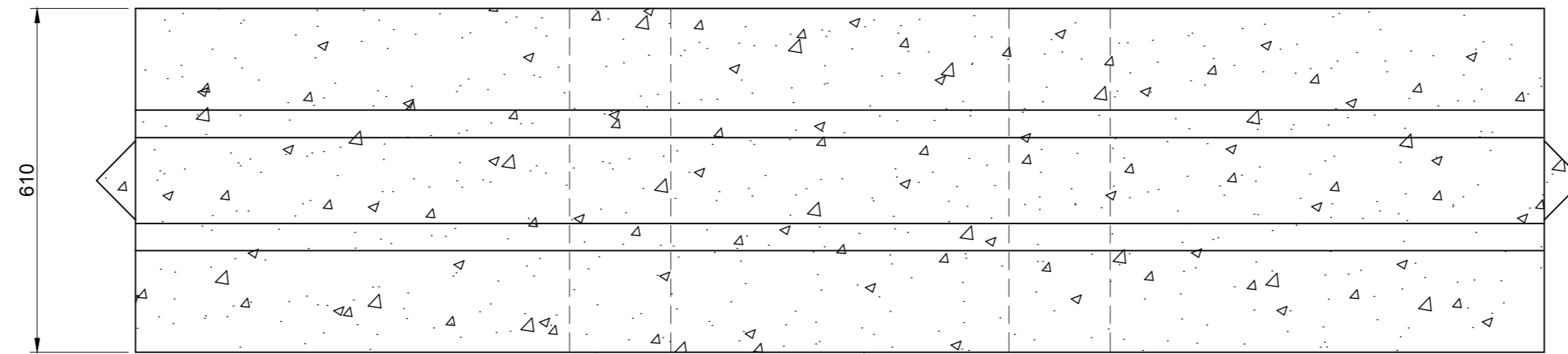
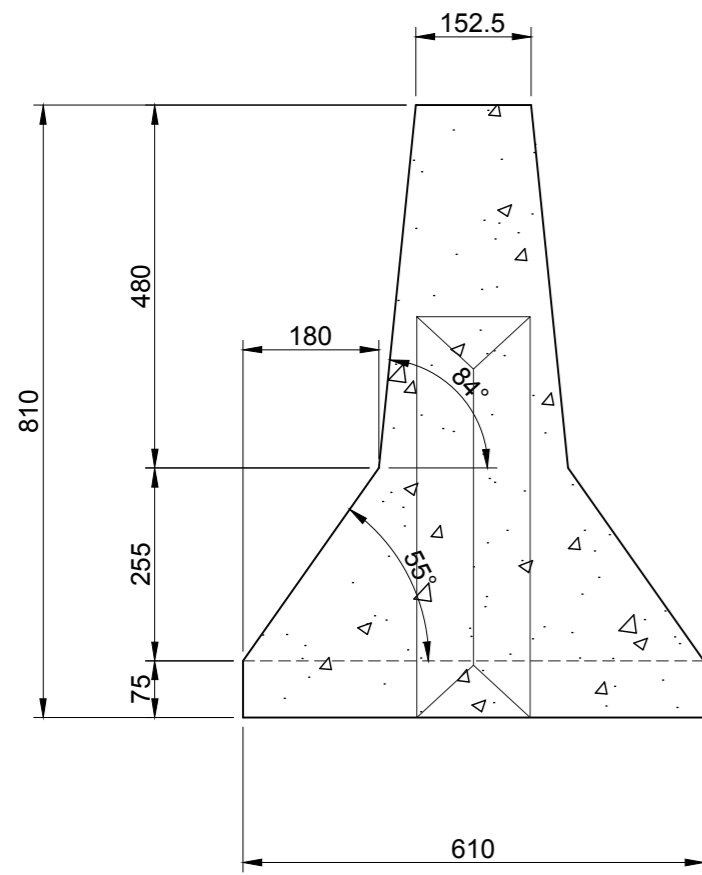


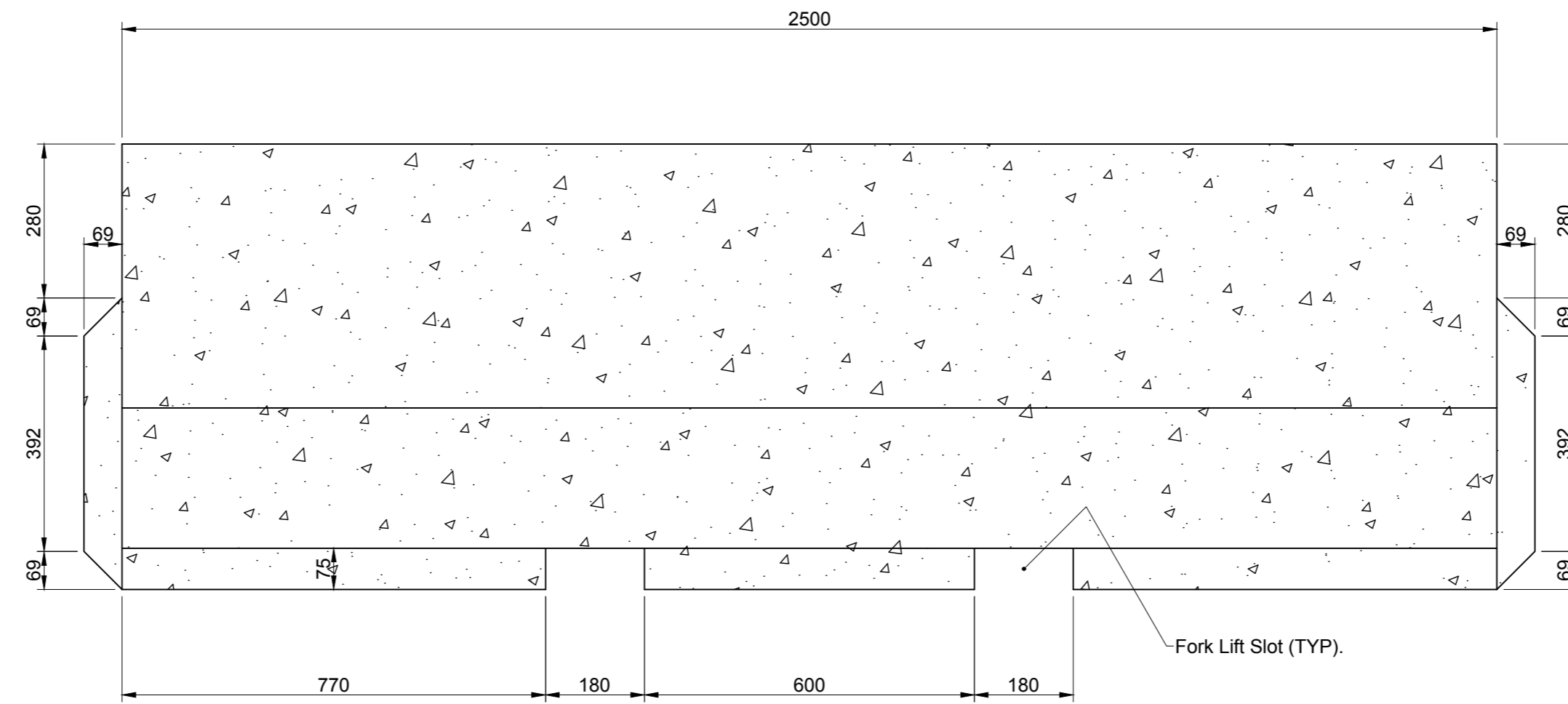
DOUBLE MALE



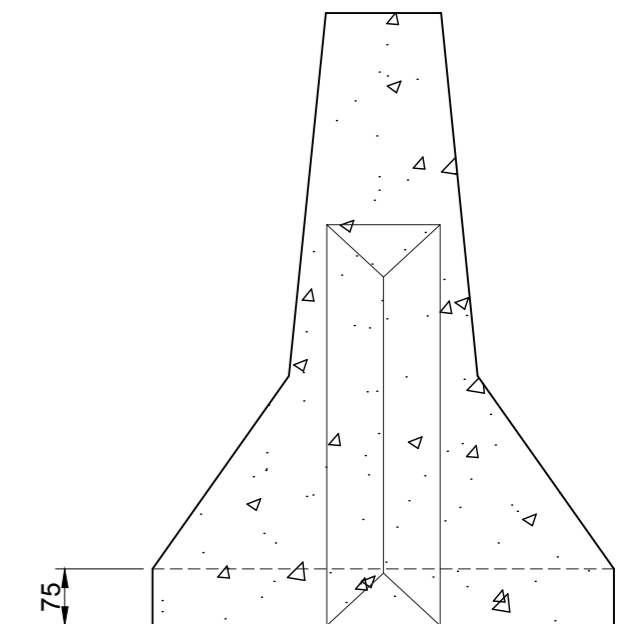
PLAN



END



ELEVATION



END

ELITE PRECAST CONCRETE LIMITED  
HALESFIELD 9, TELFORD  
SHROPSHIRE TF7 4QW



DRN	CTC	DATE	03-10-13	TITLE	New Jersey Type Road Barrier & V-Interlock	
CHKD		DRG SIZE	A2	610 x 810 x 2500mm		
		SCALE	1:10 AND AS NOTED	DRG	104	REV
						0

DOUBLE MALE