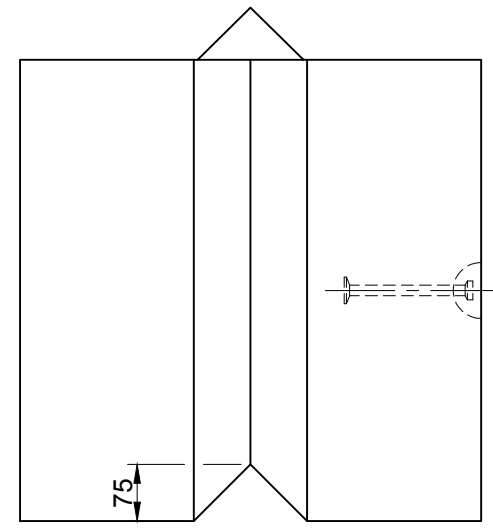


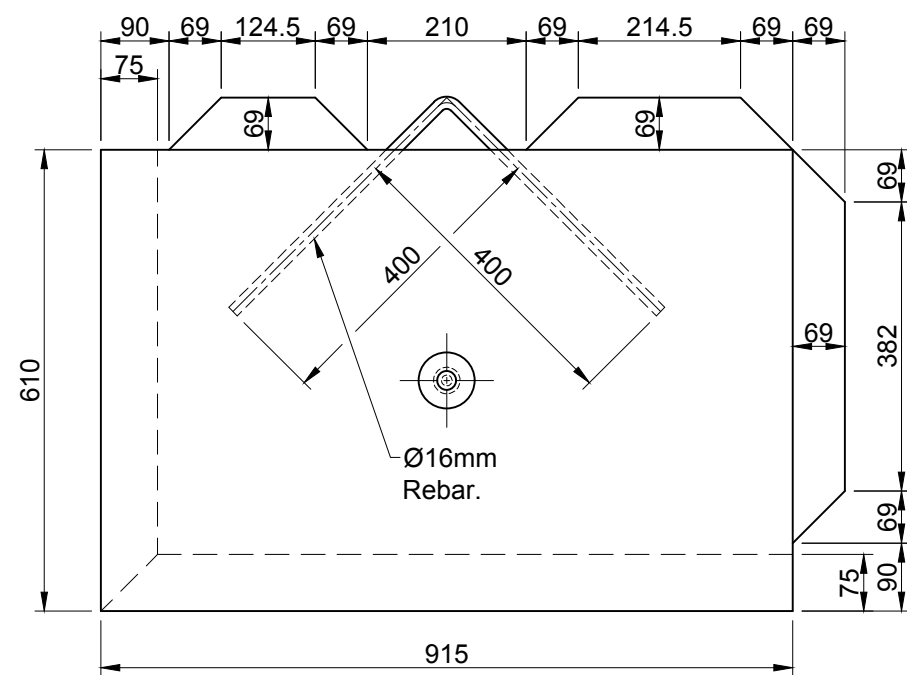
Plan

Ø74mm dia semi-spherical recess in gravitational centre of block for pin anchor. (pin anchor is rated to 2.5 tonnes with a safety factor of 3).

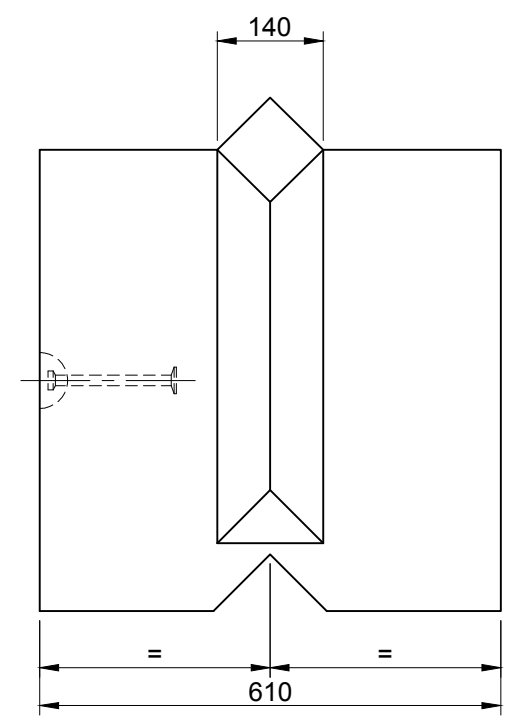
Total Block Weight : 800Kg.



End



Elevation



End

ALL Vee™ Interlocking Concrete Blocks are manufactured using high strength (50N/mm<sup>2</sup>) concrete and are Class A1 fire resistant in accordance with clause 4.3.4.4 of EN 13369.

										TITLE			ELITE PRECAST CONCRETE LTD HALESFIELD 9, TELFORD SHROPSHIRE TF7 4QW						
										Vee™ Interlocking Concrete Block 915 x 610 x 610 Elite Product Code : B1-915 also KV800			SIZE A3 SCALE 1:10 DRG EPC-VEE-004						
REV	DATE	REASON FOR ISSUE	DRN	APP	REV	DATE	REASON FOR ISSUE	DRN	APP			DRN	CTC	CHKD	RMD	DATE	28-06-16	REV	O
					O	28.06.16	For Information.			CTC	RMD								