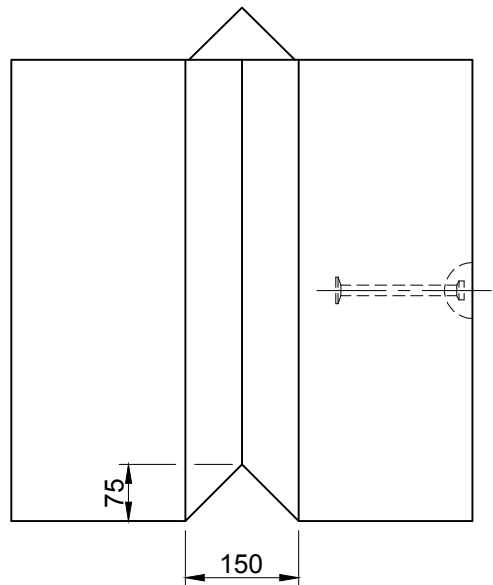
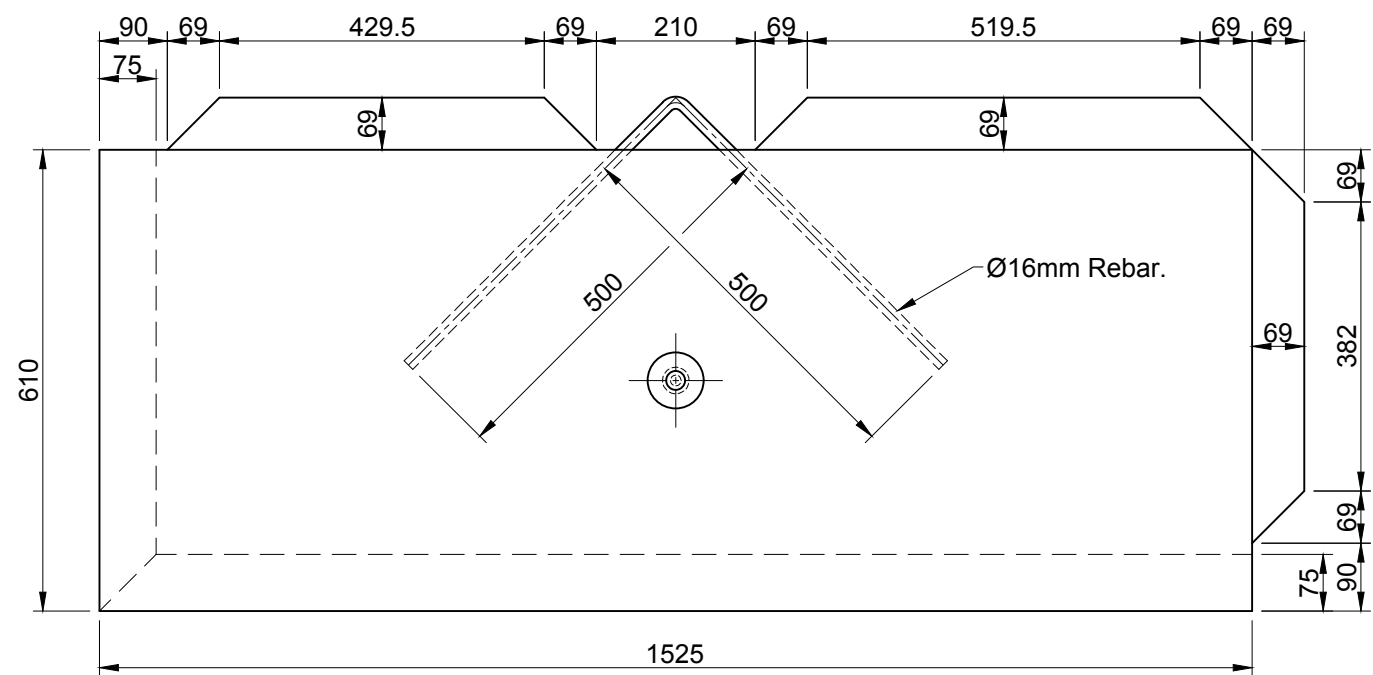


**Plan**  
 Ø74mm dia semi-spherical recess in gravitational centre of block for pin anchor.  
 (pin anchor is rated to 2.5 tonnes with a safety factor of 3).

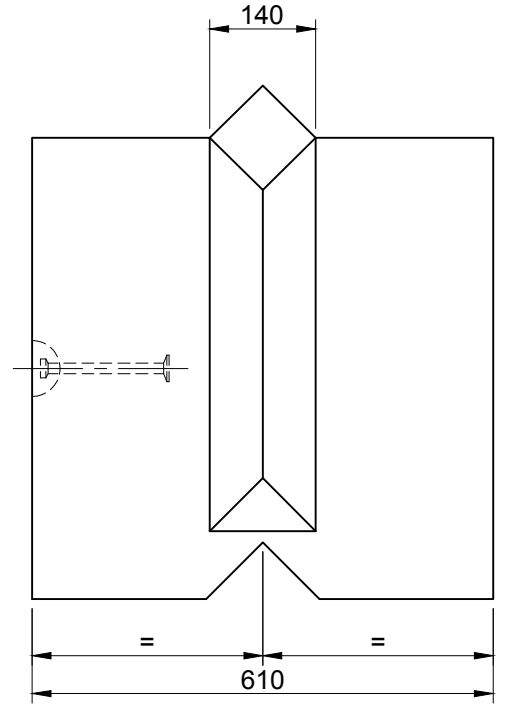
**Total Block Weight : 1333Kg.**



**End**



**Elevation**



**End**

ALL Vee™ Interlocking Concrete Blocks are manufactured using high strength (50N/mm<sup>2</sup>) concrete and are Class A1 fire resistant in accordance with clause 4.3.4.4 of EN 13369.

										<b>TITLE</b> Vee™ Interlocking Concrete Block 1525 x 610 x 610 Elite Product Code : B1-1525 also KV1333				ELITE PRECAST CONCRETE LTD HALESFIELD 9, TELFORD SHROPSHIRE TF7 4QW											
REV	DATE	REASON FOR ISSUE	DRN	APP	REV	DATE	REASON FOR ISSUE	DRN	APP			DRN	CTC	CHKD	RMD	DATE	28-06-16	SIZE	A3	SCALE	1:10	DRG	EPC-VEE-002	REV	0
					0	28.06.16	For Information.																		