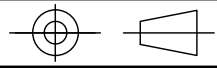
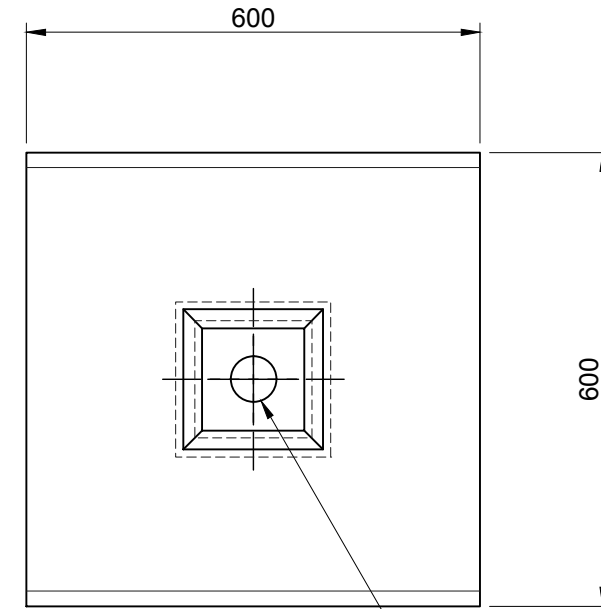


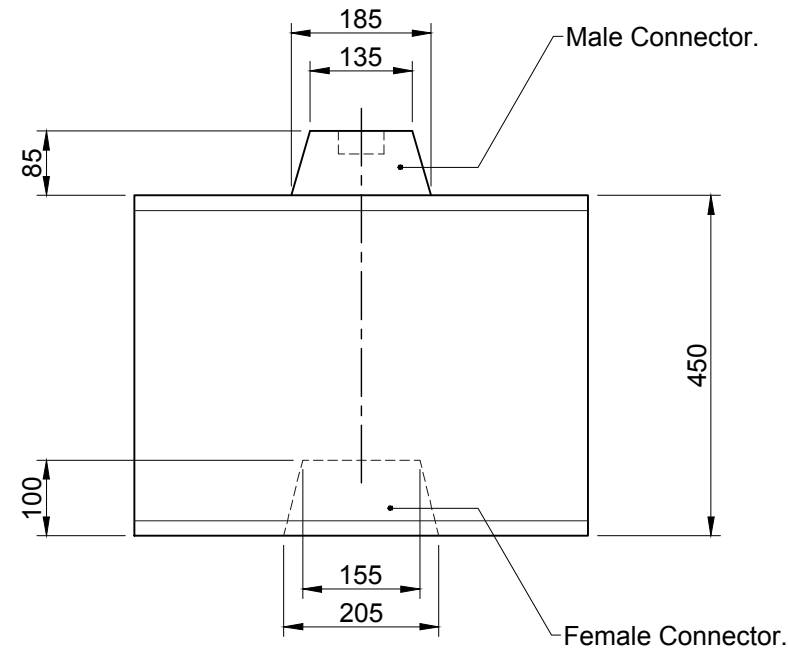
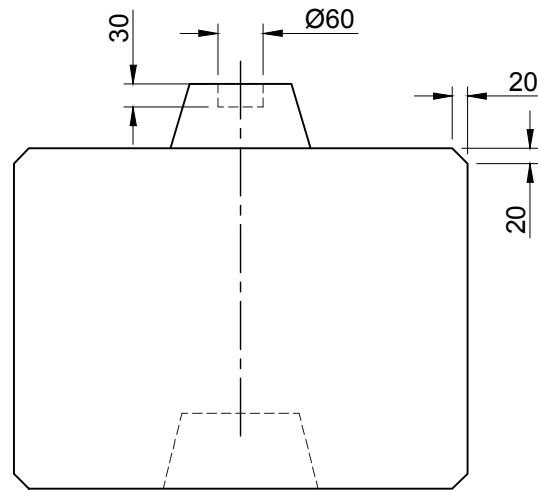
PROJECTION



Total Block Weight : 375Kg



Ø60mm Dia Semi-Spherical Recess in Gravitational Centre of Block for 'Deha' type Lifting Pin (n.b. Lifting Pin 180mm Long). (Lifting Pin is rated to 2.5 tonnes with a safety factor of 3).



						O	31.10.13	For Information				CTC	RD	
REV	DATE	REASON FOR ISSUE			DRN	APP	REV	DATE	REASON FOR ISSUE			DRN	APP	
TITLE :					Duo™ Interlock Block 600 x 600 x 450mm Elite Product Code : BL1 also KL375					ELITE PRECAST CONCRETE LIMITED HALESFIELD 9, TELFORD SHROPSHIRE TF7 4QW				
DRN :		CHKD :		DATE :		DRG SIZE :		SCALE :		DRG		REV		
CTC		RD		31-10-13		A3		1:10		073		O		

