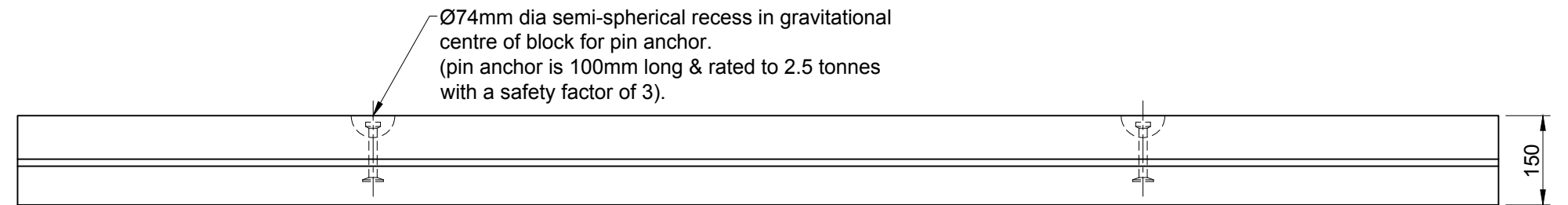
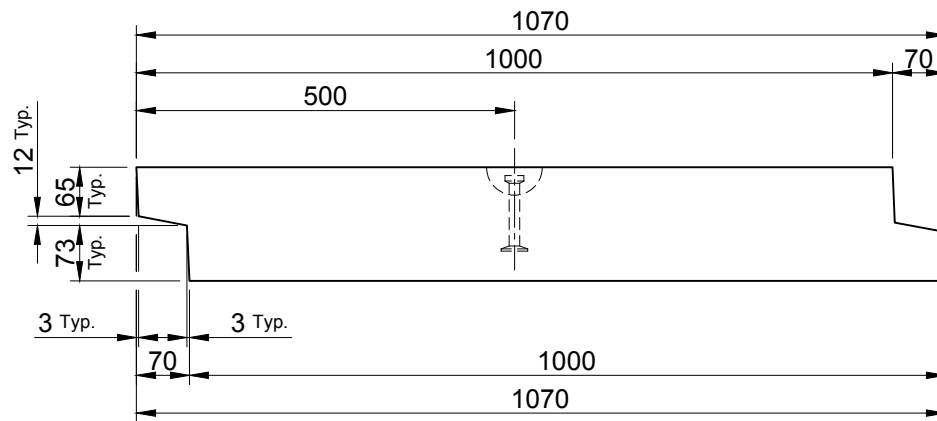
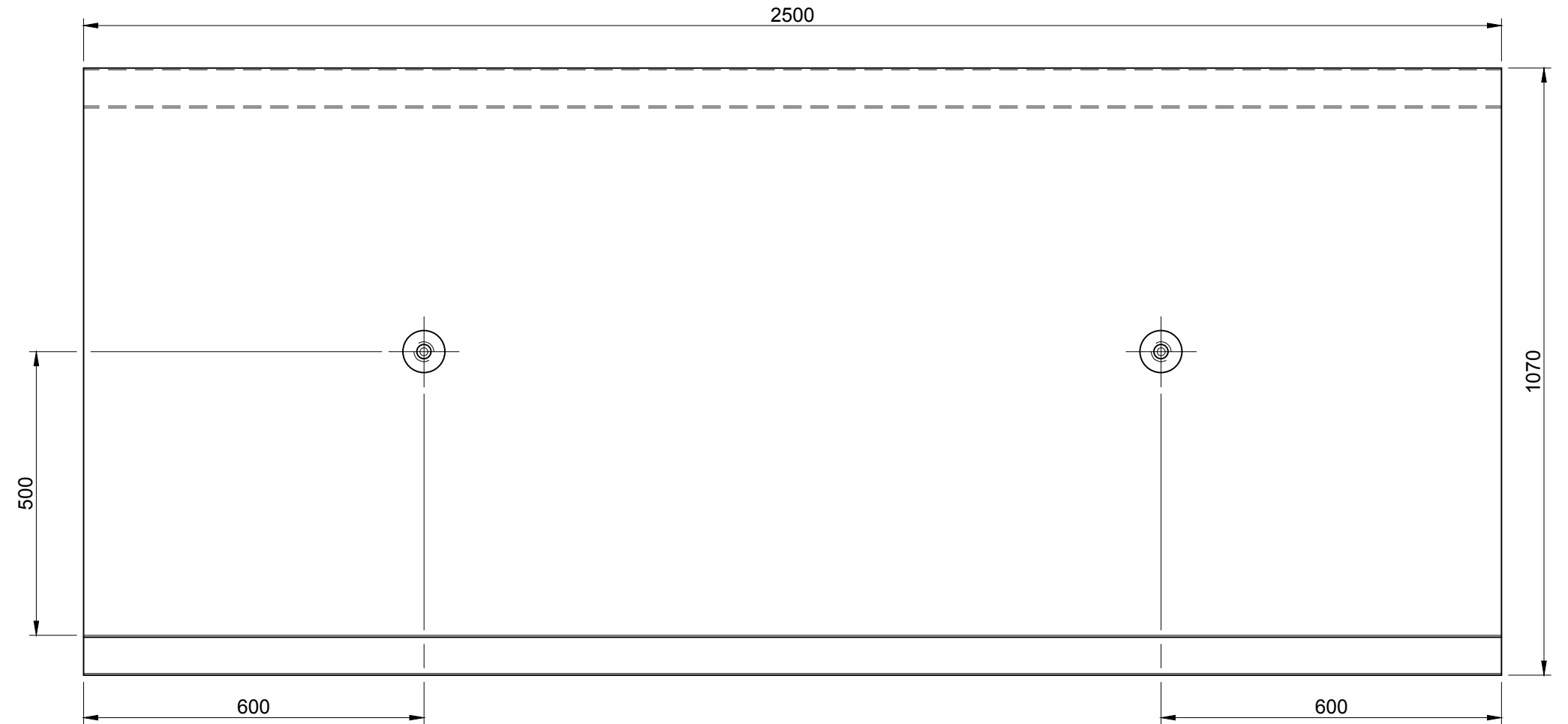


Total Block Weight : 900Kg



- 50N/mm<sup>2</sup> Concrete.
- Reinforced with 16mm bar at 200mm centres.
- 25mm Min. concrete cover to reinforcement.

										TITLE		Utility Protection Slab V2.0		ELITE PRECAST CONCRETE LTD HALESFIELD 9, TELFORD SHROPSHIRE TF7 4QW											
										Elite Product Code :-															
REV	DATE	REASON FOR ISSUE	DRN	APP	REV	DATE	REASON FOR ISSUE	DRN	APP	CTC	RMD	DRN	CTC	CHKD	RMD	DATE	16-03-16	SIZE	A3	SCALE	1:10	DRG	EPC-DRG-216	REV	A