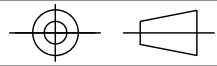
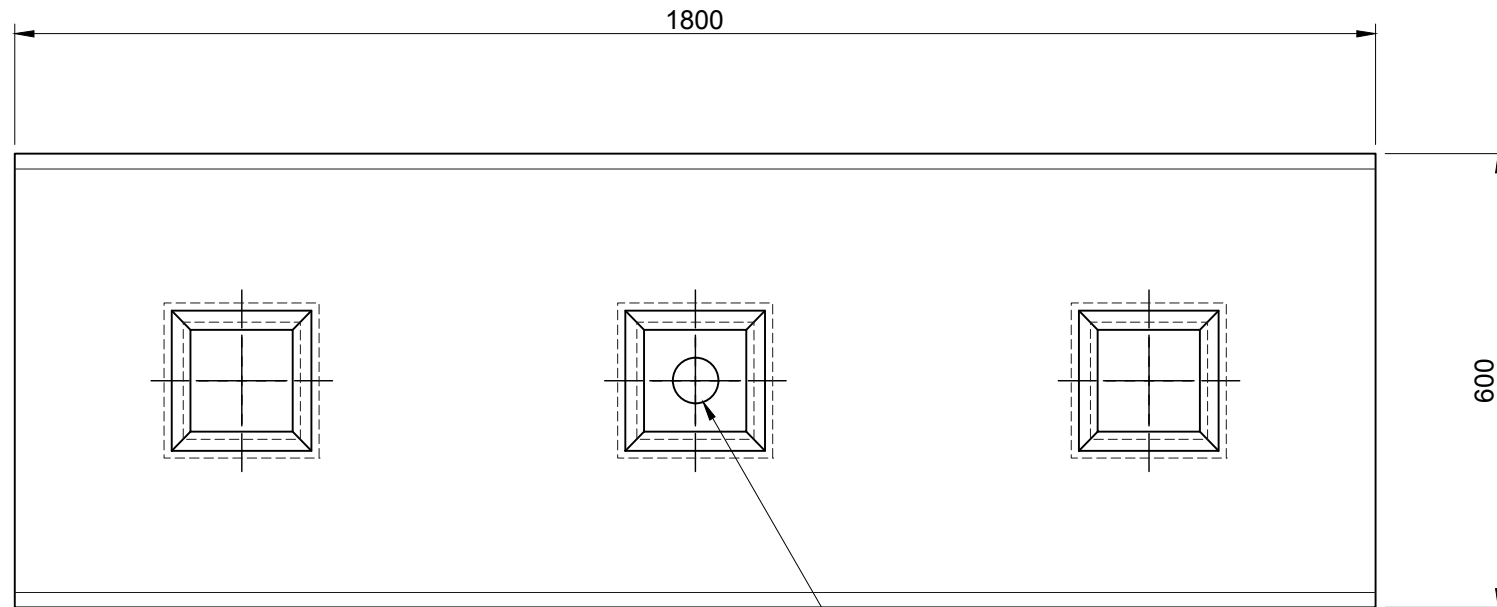


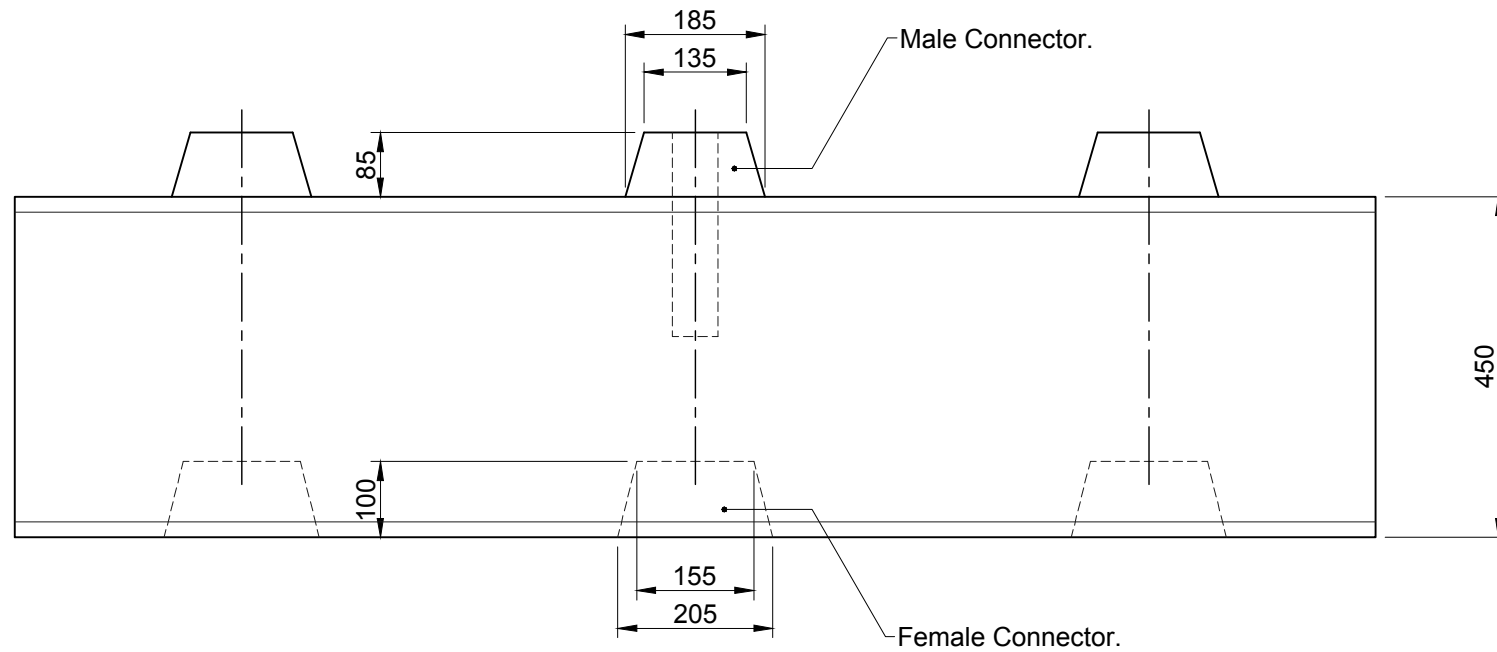
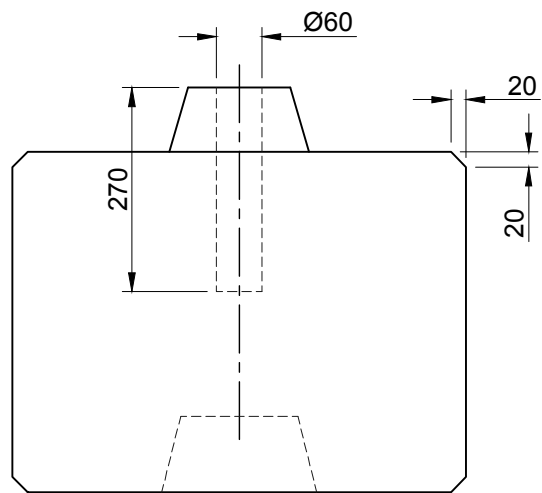
PROJECTION



Total Block Weight : 1125Kg Approx.



Ø60mm Dia Semi-Spherical Recess in Gravitational Centre of Block for 'Deha' type Lifting Pin (n.b. Lifting Pin 180mm Long). (Lifting Pin is rated to 2.5 tonnes with a safety factor of 3).



						O	31.10.13	For Information		CTC	RD		
REV	DATE	REASON FOR ISSUE			DRN	APP	REV	DATE	REASON FOR ISSUE			DRN	APP
TITLE :						Duo™ Interlock Block 1800 x 600 x 450mm Elite Product Code : BL3 also KL1125			ELITE PRECAST CONCRETE LIMITED HALESFIELD 9, TELFORD SHROPSHIRE TF7 4QW				
DRN :	CTC	CHKD :	RD	DATE :	31-10-13	DRG SIZE :	A3	SCALE :	1:10	DRG	098		