


Lumistar Luminaire ESL 26-Ex, Stainless Steel

CE 0158

3755.193 c

II 2G Ex de IIC T3/T4 Gb
II 2D Ex tb IIIC T130/T195°C Db

- **For mounting on sight glass fittings**
 This Ex-type sight glass luminaire is designed for universal applications in potentially explosive environments. It is ideal for use in combined sight and light-glass arrangements, either as a single flange version or with two separate flanged ports.
- **Compact yet powerful:**
 Dazzle-free illumination; for use with circular sight glass fittings to DIN 28120/DIN 28121 or similar, with screw-type sight glass fittings in compliance with DIN 11851, and in visual flow indicators.
- **Optimum screw-in lens design ensures maximum light efficiency**
- **Application:**
 For illuminating the interior of tanks, hoppers, silos, agitators and other – normally closed – vessels as well as visual flow indicators in **potentially explosive environments**.
Gas: Zones 1 and 2; Dust: Zones 21 and 22.
 Suitable for use in food processing industries.
- **Protection:** IP 65 and IP 67 to DIN EN 60529
- **Operating conditions:** Independent of the internal pressure/vacuum in vessel. On no account should a sight glass luminaire be used on its own to close a vessel port or to replace the cover flange or the sight glass/luminaire assembly.
- **Lumistar luminaires of this series are approved for use in ambient temperatures of up to 60°C, depending on the lamp bulb fitted.**
- **Technical data Ex protection:**
 This luminaire meets the essential safety and health requirements by complying with the regulations for
 - a) **Gas**
 EN 60079-0: 2012 General Requirements
 EN 60079-1: 2007 Flame-proof Enclosure 'd'
 EN 60079-7: 2007 Increased Safety (relates to terminal box)
 Explosion group: IIC (including IIA and IIB)
 Temperature class: T1 to T4 (depending on wattage)
 - b) **Dust**
 EN 60079-0: 2012 General Requirements
 EN 60079-31: 2009 Protection by Enclosures 't'
 Explosion group: IIIC (includes III A and III B)
 Temperature class: T130°/T195°C (depending on wattage)
- **EC type-examination certificate:** BVS 08 ATEX E 138
 II 2G Ex de IIC T3/T4 Gb
 II 2D Ex tb IIIC T130/T195°C Db
- **Voltage type:** Alternating/direct current, depending on lamp
- **Operating voltage:**
without integrated transformer:

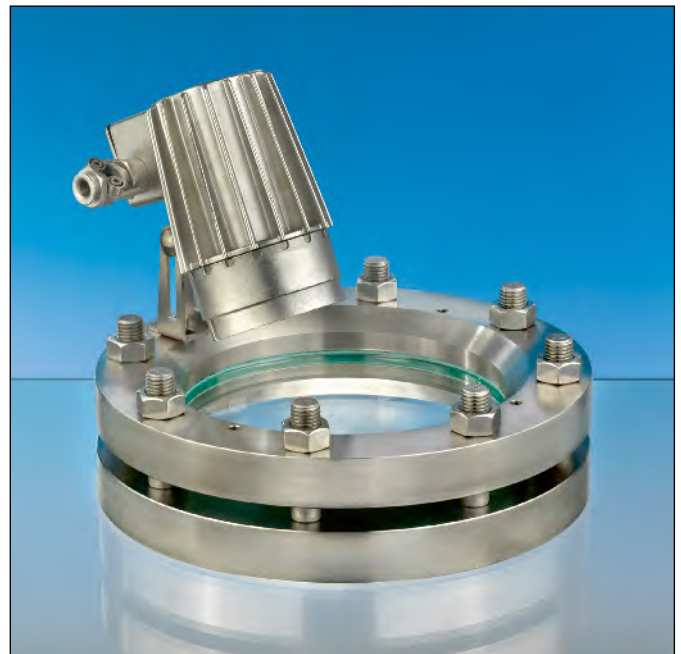
12 V...	Halogen lamp	20 W, 35 W or 50 W
24 V...	Halogen lamp	20 W or 50 W
230 V...	Halogen lamp	50 W

with integrated transformer; PTC-protected

120 V...	Halogen lamp	12 V/20 W
230 V...	Halogen lamp	12 V/20 W
240 V...	Halogen lamp	12 V/20 W
- **Straightforward electrical connection via integrated terminal box.**
Simple lamp replacement thanks to optimal screw ring design.



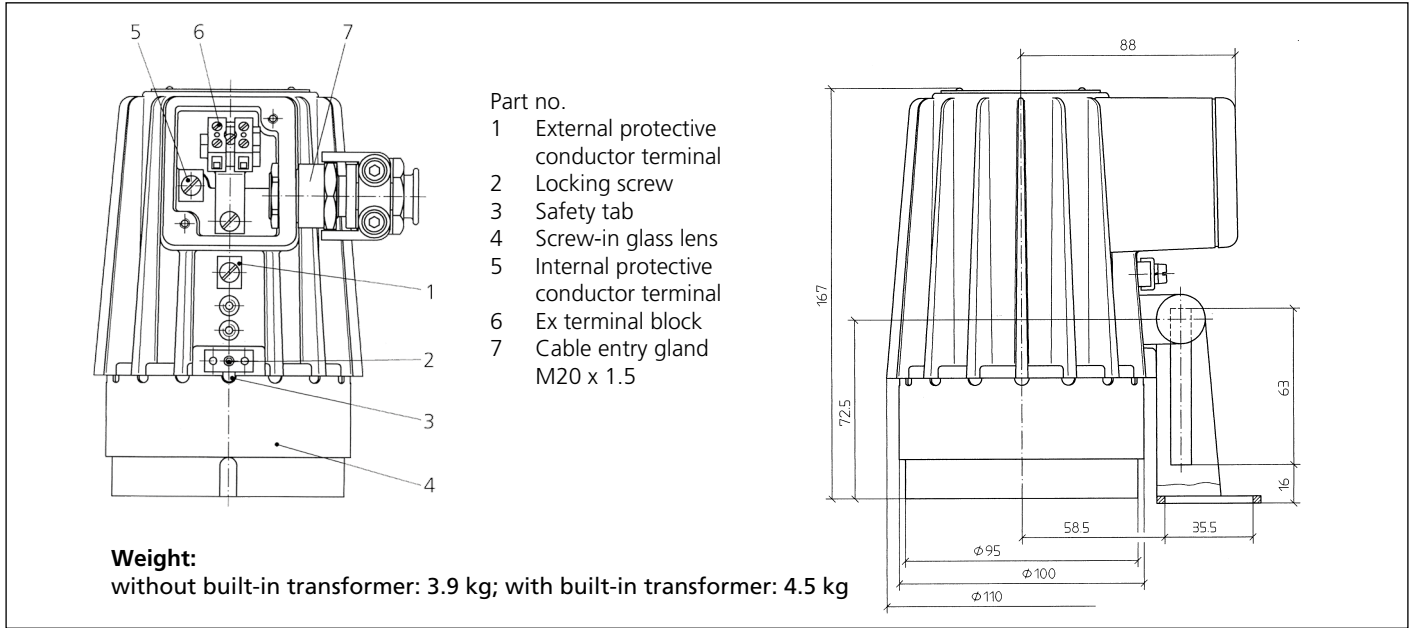
Lumistar luminaire ESL 26-Ex, stainless steel



Application as combined sight and light port on a sight glass fitting acc. to DIN 28120; mounted by way of a hinged bracket

- **Lumistar luminaire ESL 26-Ex fits the following nominal sizes:**
 - a) circular sight glass fittings to DIN 28120, DIN 28121 and visual flow indicators; mounting on the cover flange: from DN 50 up
 - b) screw-type sight glass fittings similar to DIN 11851; mounting on or below the nut:
 - DN 65, 80, 100: on flanged adapter collar
 - DN 80, 100, 125: on hinged bracket
 - DN 80 und 100: either on flanged adapter collar or hinged bracket

• **Dimensions and electrical data for Lumistar luminaire ESL 26-Ex with integrated terminal box:**



• **Components and materials:**

- Body of luminaire: Stainless steel 1.4404 (316LF), polished
- Fastening components: Stainless steel

• **Connecting data: Temperature classification and electrical parameters (see also EC Type-Examination Certificate)**

No.	Type ESL 26-Ex	Part No.	Voltage	Built-in transf.	Halogen lamp*		Ambient temperature range			
					Voltage	Socket	$-20^{\circ}\text{C} \leq T_a \leq +40^{\circ}\text{C}$		$-20^{\circ}\text{C} \leq T_a \leq +60^{\circ}\text{C}$	
1	(12 V) 20 W	3540.801.00	12 ≈	without	12 V/20 W	GY6.35	2G T4	2D T130°C	2G T4	2D T130°C
2	(24 V) 20 W	3540.803.00	24 ≈	without	24 V/20 W	G4	2G T4	2D T130°C	2G T4	2D T130°C
3	(120 V/12 V) 20 W	3540.808.00	120 ~	with	12 V/20 W	GY6.35	2G T4	2D T130°C	2G T4	2D T130°C
4	(230 V/12 V) 20 W	3540.810.00	230 ~	with	12 V/20 W	GY6.35	2G T4	2D T130°C	2G T4	2D T130°C
5	(240 V/12 V) 20 W	3540.811.00	240 ~	with	12 V/20 W	GY6.35	2G T4	2D T130°C	2G T4	2D T130°C
6	(12 V) 35 W	3540.816.00	12 ≈	without	12 V/35 W	GY6.35	2G T4	2D T130°C	-	-
7	(12 V) 50 W	3540.826.00	12 ≈	without	12 V/50 W	GY6.35	2G T3	2D T195°C	-	-
8	(24 V) 50 W	3540.831.00	24 ≈	without	24 V/50 W	GY6.35	2G T3	2D T195°C	-	-
9	(230 V) 50 W	3540.834.00	230 ≈	without	230 V/50 W Hi-Spot	GZ10	2G T4	2D T130°C	-	-

• **Order data** (*please specify if flood reflector is preferred):

e. g. Lumistar luminaire ESL 26-Ex 230 V/12 V 20 W, part no. 3540.810.00; with accessory: hinged bracket, part no. 0354.016.00

• **Accessories:**

No.	Component	Part No.
1	Stainless steel mounting (hinged bracket) for luminaire	0354.016.00
2	Stainless steel mounting (flanged adapter collar) for luminaire	1356.015.00
3	Lumiglas timer module, integrated, for time-related illumination, 5 min.	on request
4	Lumiglas timer module, Ex-timer switch, external, for time-related illumination	on request
5	Claw spanner for screw-in lens, for opening the lamp	6805.001.00