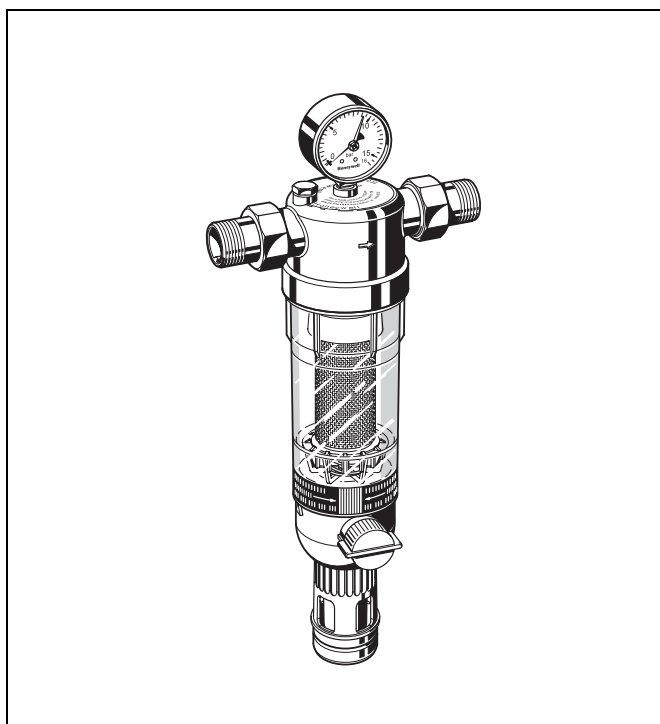




# F76S

## Reverse rinsing fine filter

### Product specification sheet



#### Construction

The fine filter comprises:

- Housing with pressure gauge
- Threaded male connections (versions AA and AAM)
- Fine filter in clear filter bowl
- Ball valve with drain connection
- Double wing wrench

#### Materials

- Dezincification resistant brass housing
- Brass threaded connections
- Stainless steel fine filter
- Red-bronze or shock-resistant, clear synthetic material filter bowl
- Fibre-reinforced NBR diaphragm
- NBR seals

#### Application

F76S reverse rinsing filters ensure a continuous supply of filtered water. The fine filter prevents the ingress of foreign bodies, for example rust particles, strands of hemp and grains of sand. The appliances correspond to the requirements of current DIN/DVGW specifications..

#### Special Features

- DIN/DVGW-approved for connection sizes 1½" and 2". Requested for connection sizes ½" to 1¼"
- Double Spin Technology for connection sizes ½" to 1¼"
  - o Cartridge with external rotor enabling simultaneous cleaning in lower and upper filter areas
  - o Visual function check possible
- Filtered water supplied even during reverse rinsing
- Patented reverse rinsing system - fast and thorough cleaning of the filter with small amount of water
- Memory ring indicates when next manual reverse rinsing is due
- Automatic reverse rinsing actuator with bayonet connector can be retrofitted
- Large filter surface
- Shock resistant clear synthetic material filter bowl enables easy checking of filter contamination
- Filter insert fully interchangeable
- Also available without connections
- Very simple operation
- Meets KTW recommendations for potable water
- Standardised discharge connection

#### Range of Application

Medium Water

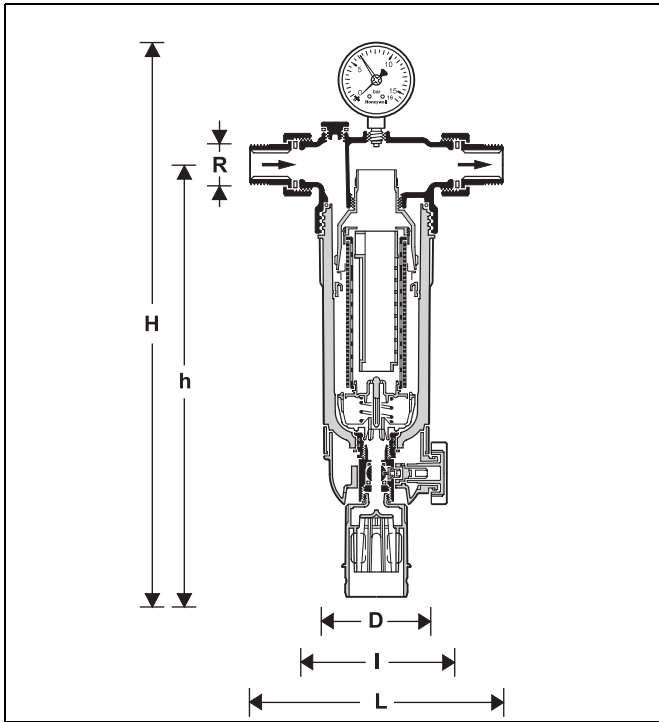
The filter is constructed for drinking water installations. In case of a process water application the filter has to be proven individually.

#### Technical Data

Installation position	Horizontal, with filter bowl downwards
Operating temperature	max. 40 °C with clear filter bowl max. 70 °C with red-bronze filter bowl
Operating pressure	min. 1.5 bar max. 16.0 bar with clear filter bowl max. 25.0 bar with red-bronze filter bowl
Connection size	½" - 2"



CERTIFICATION MARK



**Method of Operation**

The filter insert is divided into two parts. In the „filtering“ position, only the lower, larger section is rinsed through by water jets from outside to inside. The small upper section does not come in contact with unfiltered water. When the ball valve is opened for reverse rinsing, then the whole filter insert is pushed downwards until the water supply to the outer side of the main filter is stopped. Simultaneously, the water flow is opened to the upper part of the filter. The water needed for cleaning the filter passes through the upper filter section, then the rotating impeller and the main filter from inside to outside, i.e. the filter is reverse rinsed with filtered water. In that way the upper filter is also cleaned by jets from the impeller. The filter automatically switches back to the operating position when the ball valve is closed again.

Filters with Double Spin Technology have turbine blades which circulate the water and thereby set the rotor on the upper filter into a rotational motion. The internal impeller rinses off particles that have adhered to the upper filter at the intersecting points with the rotor.

**Options**

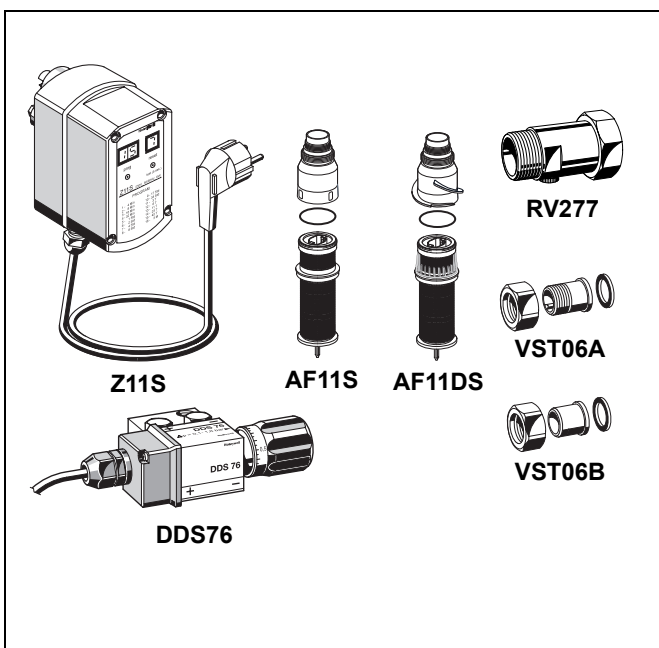
F76S-...AA = Threaded male connections, filter mesh size 100 µm

F76S-...AAM =Red-bronze filter bowl, threaded male connections, filter mesh size 100 µm

F76S-...EA = Without connections, filter mesh size 100 µm  
Connection size

Filters with other mesh widths available on request

Connection size	R	1/2"	3/4"	1"	1 1/4"	1 1/2"	2"
Nominal size diameter	DN	15	20	25	32	40	50
Weight	ca. kg	2,9	2,9	3,1	3,3	4,0	4,8
Dimensions	mm						
	L	170	178	209	222	246	267
	I	110	110	130	130	150	150
	H	449	449	453	453	532	532
	h	350	350	351	351	417	417
	D	97	97	97	97	120	120
Flow value at Δp = 0,5 bar	m³/h	4,5	5,9	7,9	9,8	10,0	11,5
k <sub>vs</sub> -value		6,9	9,0	12,0	15,0	22,4	25,7
DIN/DVGW Approval No.		requested				NW-9301 AT 2308	
Double Spin Technology		yes	yes	yes	yes	no	no



**Accessories**

**Z11S Automatic reverse rinsing actuator**

For automatic filter cleaning at presettable intervals

**RV277 Inlet check valve**

Available in sizes R1/2" - 2"

**VST06 Connection set**

Connection set  
A = Threaded male connection;  
B = Solder union connection

**DDS76 Differential pressure switch**

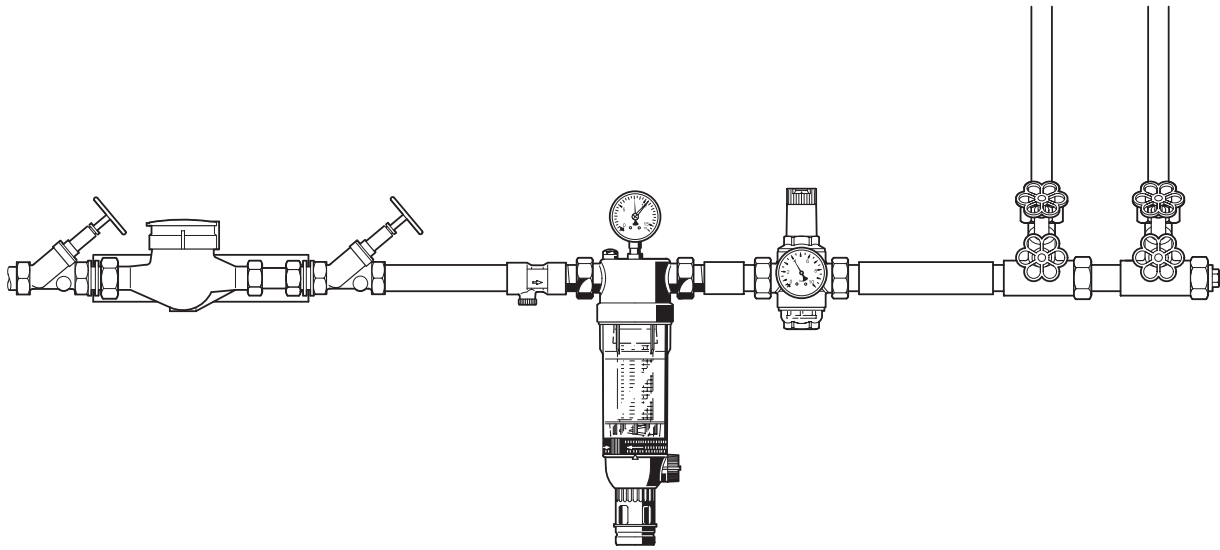
**AF11S Filter insert complete**

Available with filter meshes 20 µm, 50 µm, 100 µm, 200 µm, 300 µm, 500 µm

**AF11DS Filter insert complete**

Available with filter meshes 100 µm, for filters with Double Spin Technology

### Installation Example



### Installation Guidelines

- Install in horizontal pipework with filter bowl downwards
  - This position ensures optimum filter efficiency
- Install shutoff valves
  - Pressure gauge can be read off easily
  - Degree of contamination can be easily seen with clear filter bowl
  - Simplifies maintenance and inspection
- Fit immediately after water meter
  - Corresponds to DIN 1988, Part 2

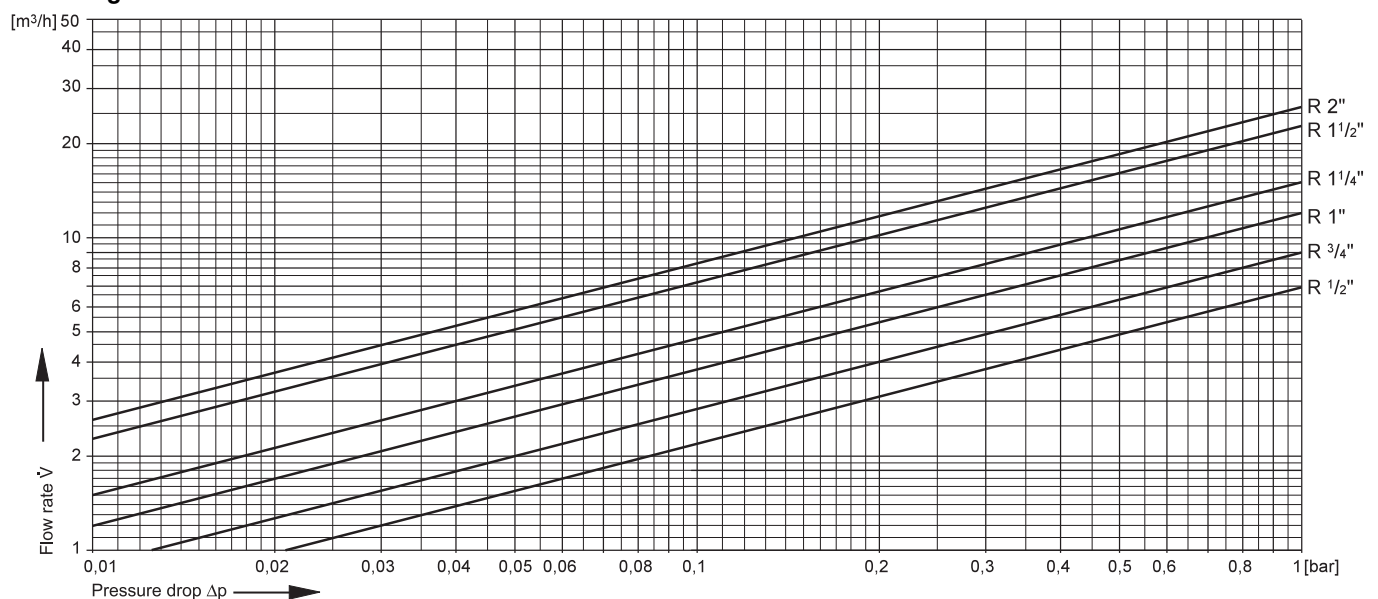
### Typical Applications

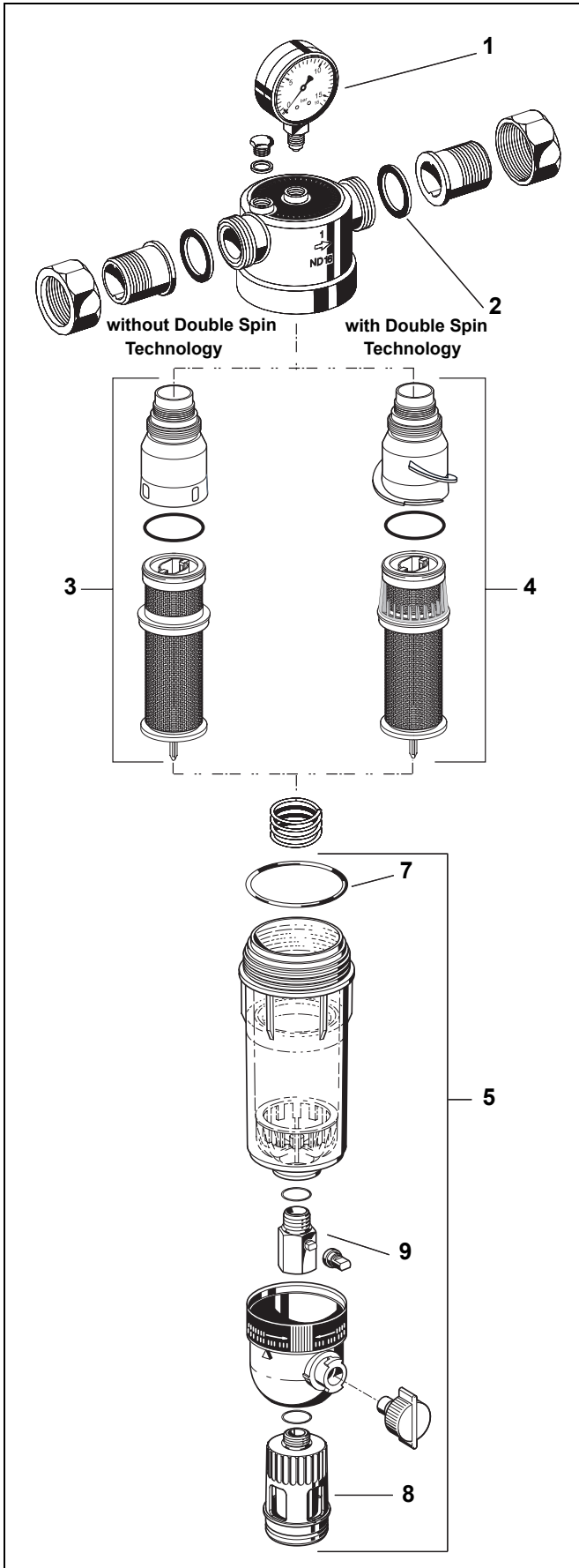
Fine filters of this type are suitable for supplies to buildings of all types. They can be used for industrial or commercial purposes within their specification.

Fine filters of this type are installed:

- Where there is existing metal or plastics pipework
- If the downstream system includes appliances which must be protected against dirt

### Flow Diagram





**Spare Parts**

**F76S Fine Filters (from 2007 onwards)**

No.	Description	Dimension	Part No.
1	Pressure gauge 0 - 16 bar		M76K-A16
2	Seal ring set (Pack of 10)	1/2" + 3/4" 1" 1 1/4" 1 1/2" 2"	0901444 0901445 0901446 0901447 0901448
3	Filter insert complete Filter mesh 100 µm	1/2" - 3/4" 1" - 1 1/4" 1 1/2" - 2"	AF11S-1/2A AF11S-1A AF11S-11/2A
4	Filter insert complete for filters with Double Spin Technology Filter mesh 100 µm	1/2" - 3/4" 1"	AF11DS-1/2A AF11DS-1A
5	Clear filter bowl	1/2" - 1 1/4" 1 1/2" - 2"	KF11S-1A KF11S-11/2A
6	Red-bronze filter bowl (no fig.)	1/2" - 1 1/4" 1 1/2" - 2"	FT09RS-1A FT09RS-11/2A
7	O-ring set (Pack of 10)	1/2" - 1 1/4" 1 1/2" - 2"	0900747 0900748
8	Drain connector	1/2" - 2"	AA76-1/2A
9	Ball valve complete	1/2" - 2"	KH11S-1A
10	Double ring wrench For removing the filter bowl (no fig.)	1/2" - 3/4" 1" - 1 1/4" 1 1/2" - 2"	ZR10K-3/4 ZR10K-1 ZR10K-11/2



CERTIFICATION MARK

**Honeywell**