

# Falcon Waterless Urinals from Rodin



*Roughly 5% of the world's fresh water is used to carry away urine*

*On average each Falcon Waterless urinal saves 33,000 gallons (150,000 litres) or more of fresh water per year.*

Saving water reduces costs and saves money. Each Falcon waterless urinal saves an average of 150,000 litres (33,000 gallons) of fresh water per year.

A waterless urinal will not leak. A small steady leak from a cistern can waste up to 227,000 litres (50,000 gallons) of water per year. A stuck urinal flush valve can waste 6,370 litres (1,400 gallons) per day!

## Why Install Waterless Urinals?

The waterless urinal is one of those rare products that save money and time while conserving natural resources. The savings for individual facilities can be significant and the accumulative savings around the world is huge even though less than 1 percent of urinals are waterless.

But as well as saving water and energy, waterless urinals create more hygienic, odour-free washrooms.

## Economic Benefits

Using water to dispose of urine (which is 97% water) makes no economic sense, particularly as the supply of available fresh water decreases. Waterless urinals save in three important ways:

- 1. No Flushing Mechanism:** reduces the purchase price: Because they have no flushing mechanism, waterless urinals are cheaper to purchase and install. All you need is a drainage outlet, approximately 1 hour for the actual installation and 3 to 5 minutes to install the waterless cartridge.
- 2. Reduced Energy Costs:** No water means you save 100 per cent in water charges and reduced sewage charges – both of which are on the rise. Waterless urinals also eliminate the energy costs associated with pumping water to and from the fixture as well as the energy necessary to treat approximately 150,000 litres (33,000 gallons) of diluted urine per fixture per year.
- 3. Reduced Maintenance Costs:** Maintenance for a Falcon waterless urinal amounts to periodic changing of the touch free waterless urinal cartridge and the same standard clean up associated with traditional urinals. No flush means no stuck or broken valves and since no hard water runs through the sewage lines they remain free of calcification. This means reduced costs associated with pipe cleaning. Cleaning is also faster as there is no need to scrub minerals left behind by water.

## Hygiene Benefits

Washrooms are more hygienic with lower bacteria levels when waterless urinals are installed. Without flushing water, there are no bacteria-spreading flush plumes. This means that the area around the waterless urinals and the entire washroom is cleaner and more hygienic.

**For more information visit**  
**[www.therodingroup.co.uk](http://www.therodingroup.co.uk)**

**The Rodin Group Ltd**  
the water friendly company



## User Benefits

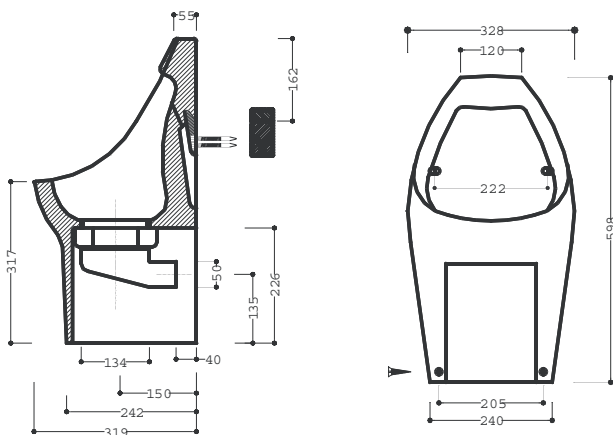
Falcon waterless urinals also reduce washroom odours by locking urine into the waterless patented urinal cartridge. The cartridge's airtight seal combined with the liquid sealant is estimated to be 500 times more effective than conventional P-traps.

## The Falcon Flax

The Falcon Flax waterless urinal is a wall hung unit constructed of vitreous china and can be configured with either a wall drain or vertical drain outlet. This makes it ideal for either new build or retrofit installations. The stylish design of the Flax combines an attractive appearance with functionality and efficiency.

### Main features:

- Improved hygiene and safety
- Waterfree
- Reduced water and sewer costs
- No moving parts
- No costly flush valve or sensor repairs
- Patented, sealed locking cartridge
- Odour-free
- Vandal resistant
- Maintenance-free cartridge
- Smooth, non-porous surfaces
- Minimal care and easy cleaning (see separate sheet)
- Vitreous china bowl
- Unsurpassed durability



*Falcon waterless urinals already make global water savings of over 50 billion litres (11 billion gallons) per year. Once installed, a Falcon waterless urinal will reduce your water bills and improve green credentials.*

**For more information visit [www.therodingroup.co.uk](http://www.therodingroup.co.uk)**

**The Rodin Group Ltd**  
the water friendly company



**The Rodin Group Limited** The Oast, 62 Bell Road, Sittingbourne, Kent ME10 4HE  
**Tel:** 01795 423400 **Fax:** +44 (0)1795 436070 **Email:** info@therodingroup.co.uk **Web:** www.therodingroup.co.uk

## Falcon Replacement Cartridge

Genuine original manufacturer's replacement cartridge for Aridian waterless and Falcon Waterfree urinal bowls.

Each pack Includes one waterless refill cartridge, a sachet of sealant\*, a cartridge removal key\* and a disposal bag for safe, sanitary disposal of your old cartridge.

### Replacement Cartridge Kits include:

- Sealed cartridge
- Diverter shield
- Installation key
- Pre-measured liquid sealant pack
- Disposal bag
- Plastic gloves
- Instruction sheet

\*sealant sachets and cartridge removal keys also sold separately



### HOW DOES WATERLESS TECHNOLOGY WORK?

The Falcon Waterfree system consists of vitreous china or stainless steel fixtures with a patented cartridge that locks into the base of the urinal. The design of the urinal bowl and use of nonporous materials ensure that all urine passes into the cartridge. That's all there is - no flush valve assembly, no water supply hookup, only a standard waste.



**1** This touch free waterless patented urinal cartridge is made out of non-stick, non-porous material and designed to work like a funnel. Urine passes through the waterless system where the Falcon Waterfree Technologies' sealant forms a barrier between it and the washroom space.



**2** Falcon Waterfree Technologies' sealant liquid provides an airtight barrier between urine and the washroom. The sealant is less dense than water allowing urine to pass through and flow into the drain. The patented waterless urinal cartridge then collects uric sediment translating into an odour-free washroom, clean pipes and zero water waste.



**3** The waterless patented urinal cartridge also features an O ring, which provides an airtight barrier between the cartridge and the urinal itself. The only maintenance required is routine cleaning of the fixture and an easy change of the cartridge, two to four times per year (depending on the use).