

Giant

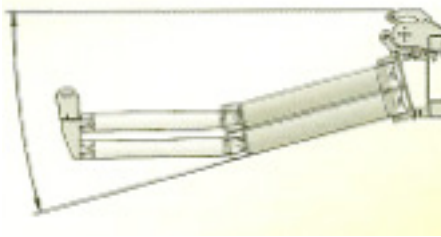
The Giant is a unique awning system.

The perfect system to gain more open area.

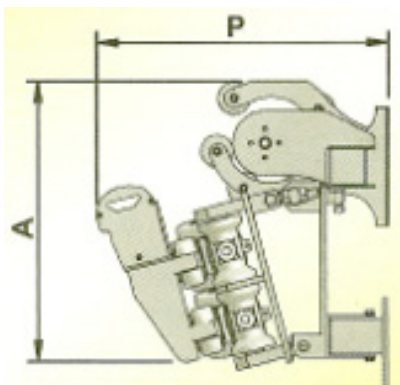
This awning has been created to cover wide areas, where there is no possibility to install any floor fittings. Very robust and well-tensioned it can replace the Titan Plus awning system.

Up to 7000 mm projection.

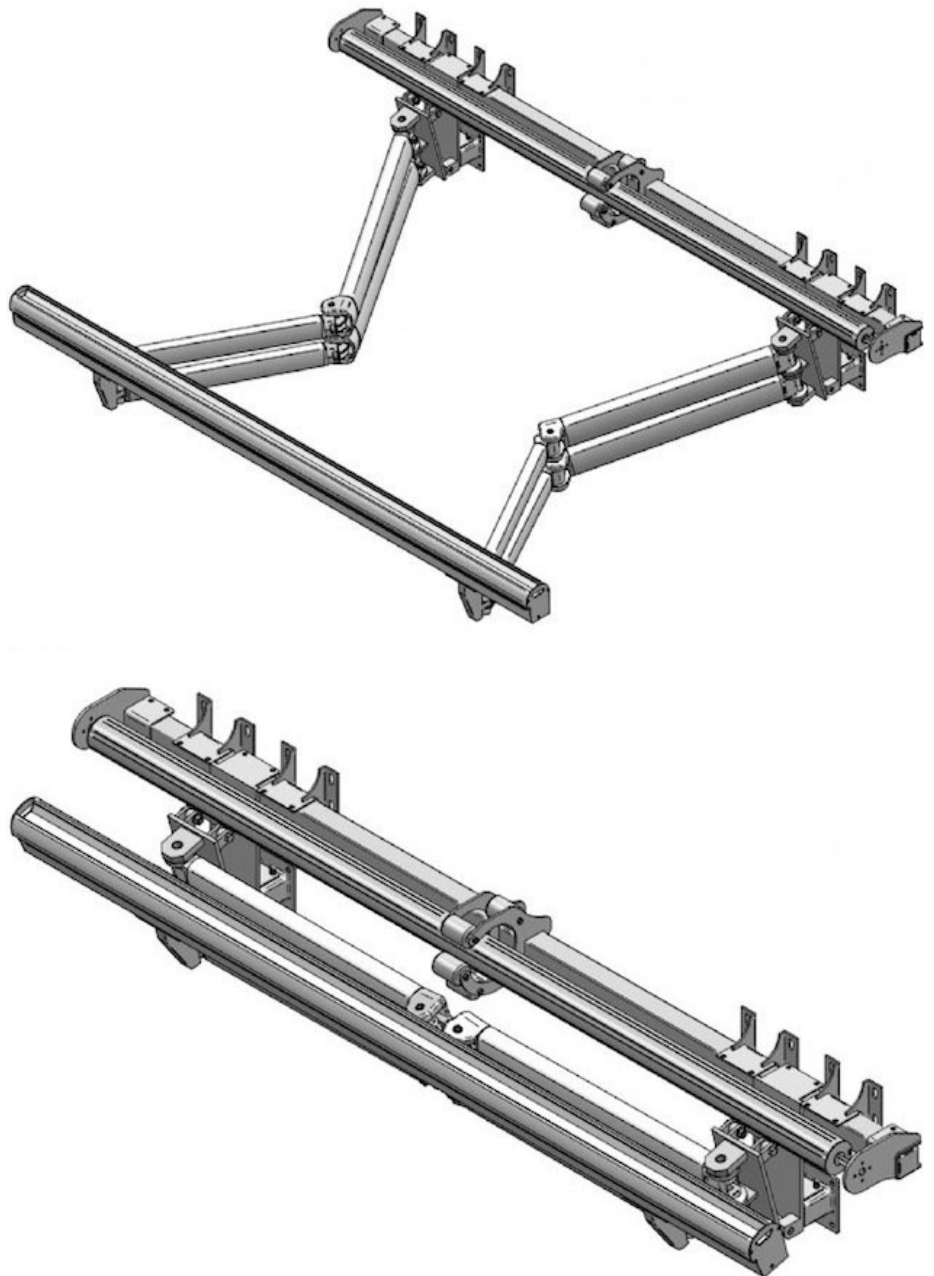
Double arms fitted on one 60x60 mm square bar (two if required) Motorised only.



min: 5 ° / max: 55 °



A: 47 cm / P: 50 cm



Giant

Technical features

Width

Up to 700cm with 2 hinged arms
Up to 1100cm with 3 hinged arms
Up to 1500cm with 4 hinged arms

Arm lengths

400/425/450/475/500/525/550
575/600/625/650/675/700

Operating System

Electric motor fitted as standard.
Awnings should be always motorised.

Extras

Sun and wind sensor.

Framework colours

- White colour RAL 9016
- Special powder-coating available in other RAL colours (price increase)

Fabrics

Specially designed fabrics are used due to the larger projection



Double arm elbow



Front bar connector



Arm support
The double arm fitted on a 60 x 60 mm square bar