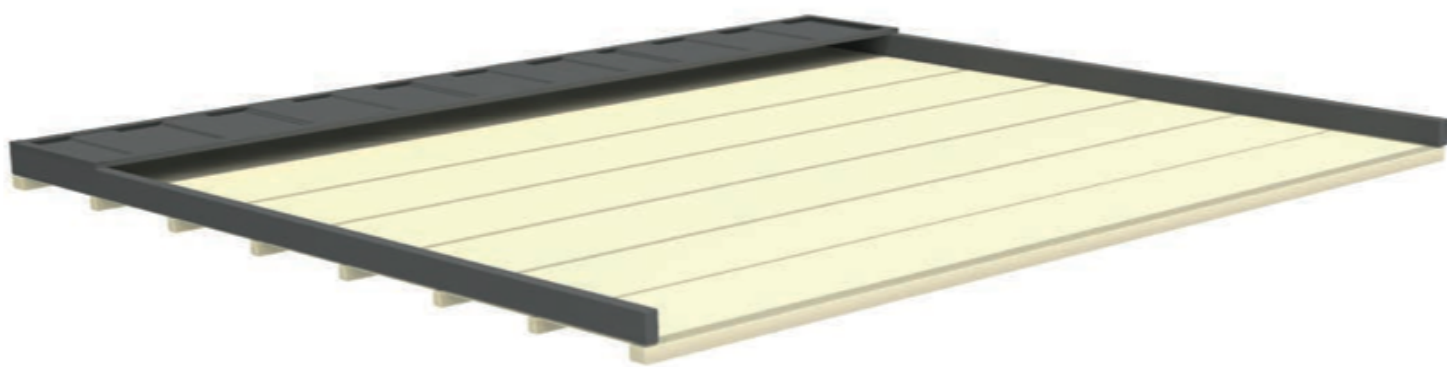


## Pergo Tecnic



**Retractable** awning on guides,

Pergo Tecnic is the ideal cover for every outdoor space. The sliding mechanism on aluminium guides pleats the cover as it opens and closes. Shading and water-proof, it offers sun, rain and wind protection.

Standard version



RAL 9010

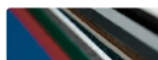


RAL 1013



CORTEN

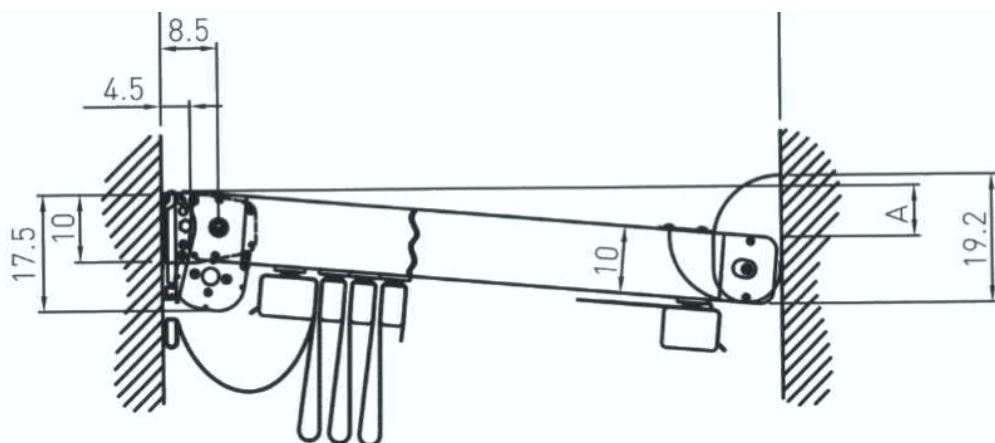
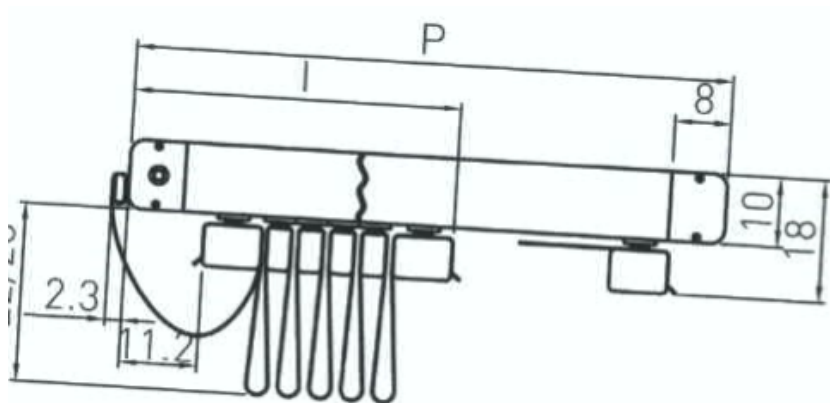
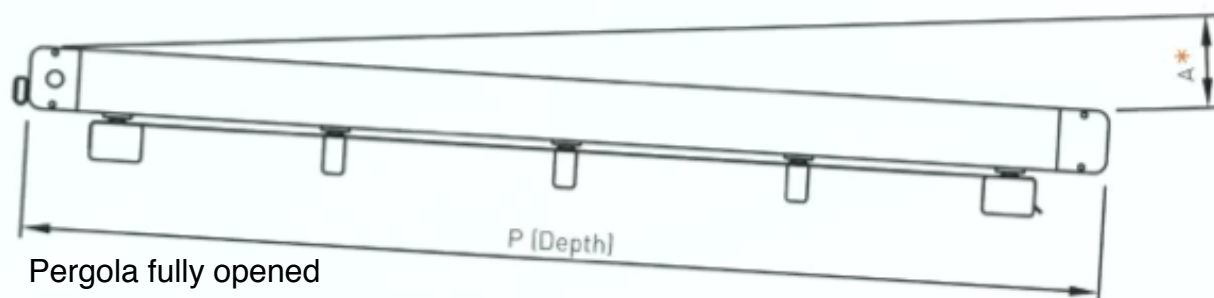
Optionals (RAL OTHER)



+7%



## Pergo Tecnic



## Pergo Tecnic

### Technical features

### Maximum Dimensions

- 500 x 800cm (1-span)
- 900 x 800cm (2-spans)
- 1300 x 800cm (3-spans)

### Slope

(A) between 9.5% - 15% depending on projection

### Operating System

manual by default, through fast Geiger 1:4,4 winch for single- span covers and a maximum area of 25 square meters, motorised operation for larger structures

### Framework Colour

Made of extruded aluminium profiles, UNI 6060 primary alloy, Brinell hardness 70hb, standard lacquering RAL 9010 white or RAL 1013 ivory.

Special powder coating available in other RAL colours (price increase)

