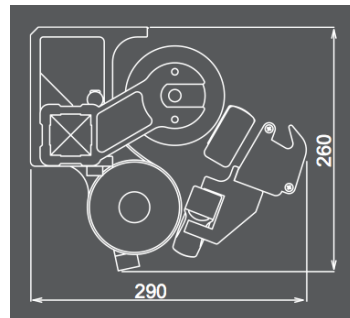


Toscana

Folding arm awning on 40x40 mm square bar with side and intermediate arm supports. With arms at an angle of 170 degrees towards the floor and with central intermediary profile. Single module maximum dimensions: 600 cm width and 350 cm projection.



Folding arm with flyer chain



Arm Support



Roller tube support

Toscana

Technical features

Width

Up to 390cm with 2 hinged arms
Up to 774cm with 4 hinged arms

Arm lengths

150/200/250/300/350 cm
Special lengths on request.

Operating System

Electric motor fitted as standard,
bevel gear available on request.
Awnings with 3 hinged arms
should be always motorised.

Extras

Sun and wind sensor,
Roll Down valance.

Framework colours

-White colour RAL 9016

-Special powder-coating available
in other RAL colours (price
increase)



Arm support fitted to
the square bar



Universal wall bracket



Front profile bracket
Joins the arms securely to
the front profile and permits
adjustment of the angle.



Hinged arm joint
The flyer chain is designed for
an extremely long service life.