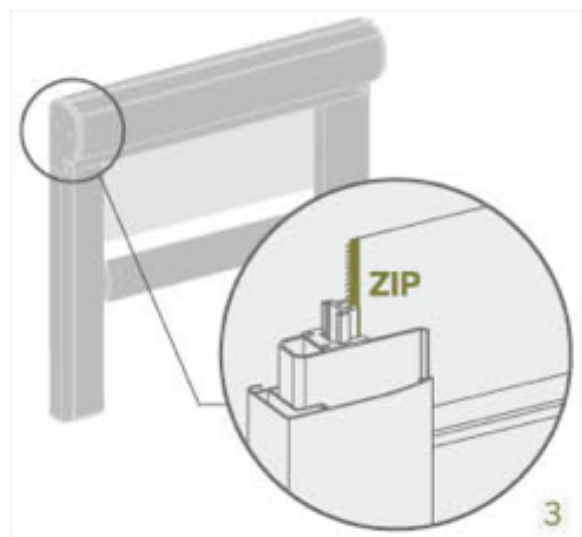
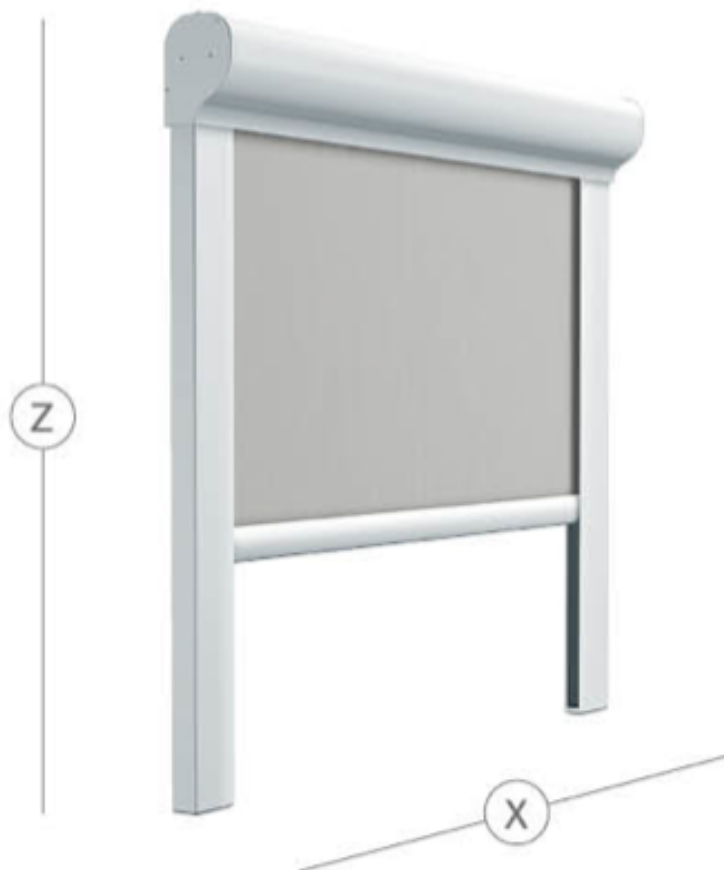


Vertical Drop Awning

Awning in cassette with roller holder brackets supported by larger guides with ZIP system for total closure.

The “automatic block” system allows blocking the end and getting perfect awning tension, which can be made with the ZIP system.

The cassette is supported by guides that can be fastened in different ways



The ZIP system is not only for keeping the the awning stretched, but it closes and protects the area from wind.

Wind resistance class 3 (50 km / hour)

Vertical Drop Awning

Technical features

Maximum Dimensions

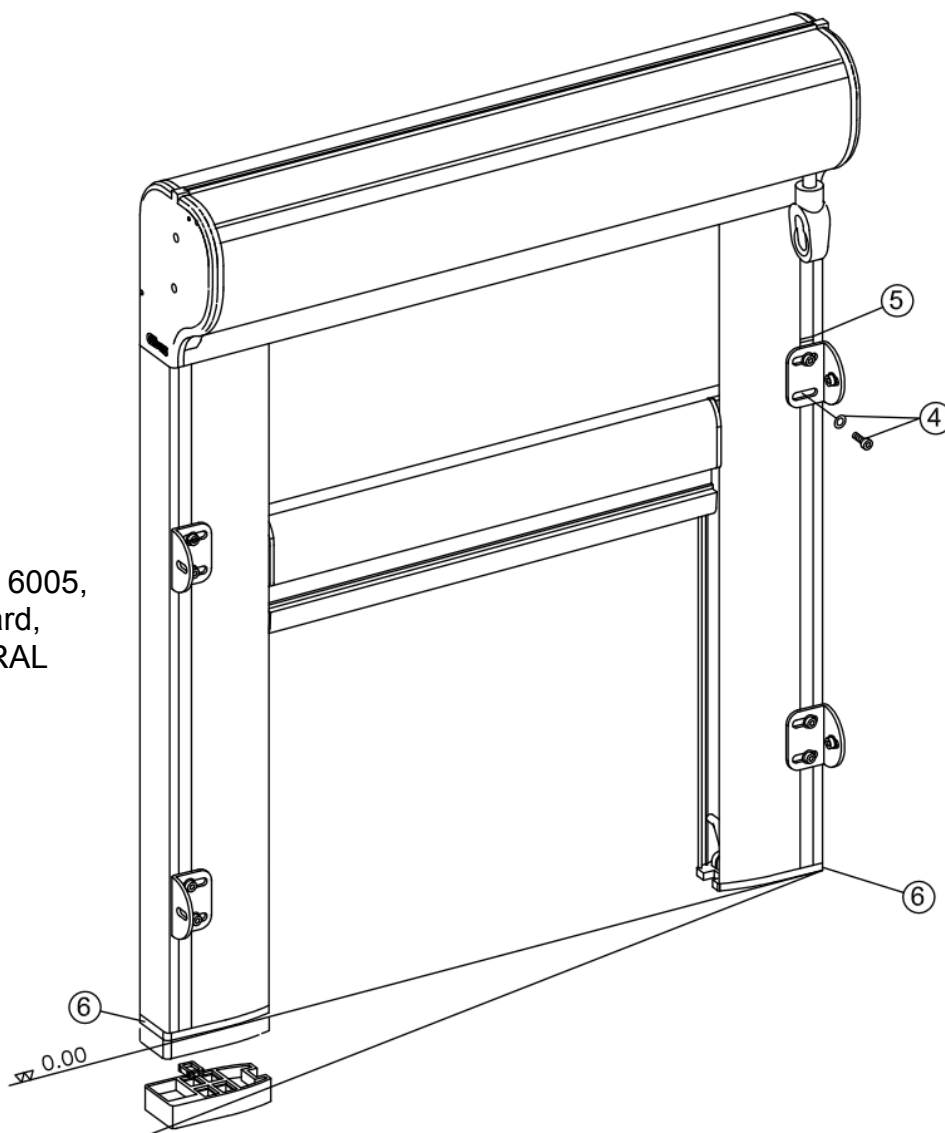
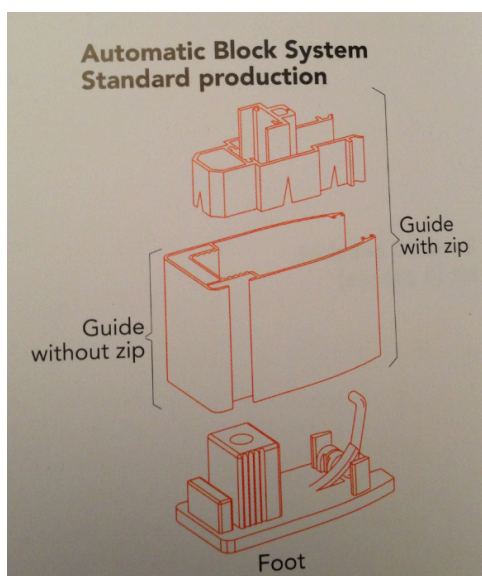
Width: up to 400 cm
Height: up to 300 cm

Operating System

Manual or motor control
Wind resistance class 3 (50 km / hour)

Framework Colour

White colour RAL 9016, 1013, 7035, 8017, 6005, 9005, Stainless Steel, Anthracite as standard, Special powder coating available in other RAL



Vertical Drop Awning

