

Elegance (Fully Cassette Awning)

Available in 2 types Type C, closed on 3 sides and Type D, closed on 4 sides, with a unique protective fabric casing.

- Fabric and components protected against moisture and weather.

- Arm bracket of high-strength aluminium alloy.

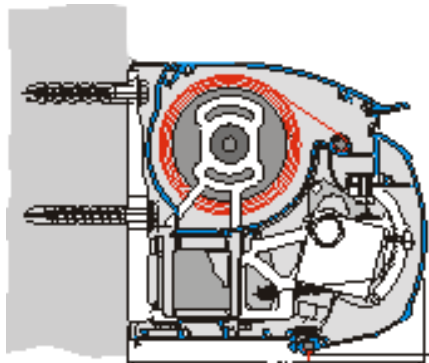
- Upper arm fork of forged aluminium.

- Sturdy front profile with double hollow chamber and integral rain gutter.

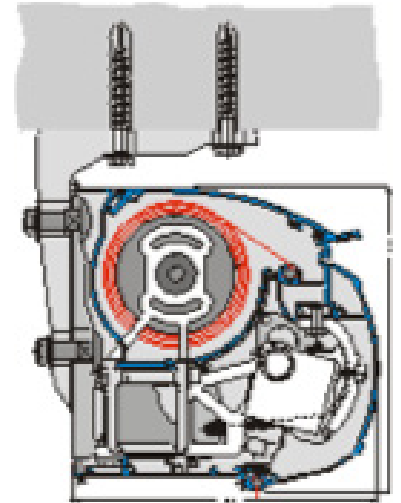
- Rust-resistant pins in Teflon-coated bearings.



Type D



Wall fitting Type D



Ceiling fitting
Type D



The integral fabric cover shell offers an elegant solution for concealing the fabric roller.



Wall fitted awning

Elegance (Fully Cassette Awning)

Technical features

Width

Up to 650cm with 2 hinged arms
Up to 1300cm, 2 units linked with 4 hinged arms
Up to 1950cm, 3 units linked with 6 hinged arms.

Arm lengths

150/200/250/300/350 cm
Special lengths on request.

Operating System

Manual or motorised.

Extras

Sun and wind sensor.

Fabrics

Vast selection of PARA, Dickson and Recasens Colours.

Framework colours

-White colour RAL 9016
-Special powder-coating available in other RAL colours (price increase)

Front profile bracket

An adjustable bracket ensures the front profile is always vertical. A special mechanism ensures reliable positive closing when the awning is retracted.



Hinged arm joint

The plastic-coated double cables are designed for an extremely long service life.



-No soiling of the greased cables caused by exposure to the environment.

-Arm profile and cables of the same colour.

Arm bracket

Of extruded high impact screw. Upper arm fork of forged aluminium.

