

IONISER-PRO

STATIC NEUTRAL



Manual

IONISER-PRO

STATIC NEUTRAL

Contents

Static Elimination Technology	pg 01
Introduction	pg 02
Unpacking & Inspection	pg 03
Safety	pg 04
Features of your Ioniser-pro	pg 05
Mounting	pg 06
Installation	pg 07
Maintenance	pg 08
Trouble Shooting	pg 09
Repairs & Warranty	pg 10
Construction & Technical Data	pg 11 - 12



IONISER-PRO
STATIC NEUTRAL

IONISER-PRO

STATIC NEUTRAL

Static Elimination Technology

Static electricity is an imbalance of electric charges within or on the surface of a material.

The charge remains until it is able to move away by means of an electric current or electrical discharge.

Static electricity is named in contrast with current electricity, which flows through wires or other conductors and transmits energy.

A static electric charge is created whenever two surfaces contact and separate and at least one of the surfaces has a high resistance to electric current and is therefore an electrical insulator i.e. plastic, paper etc.

Static electricity is generally undesirable in industry as it usually attracts dust and other unwanted particles. It is also known to repel print, sprays and powder coatings, thus compromising their physical and aesthetic suitability.

A static electricity build up in dusty environments can result in ignition and explosion as sparks can be produced upon discharge.

IONISER-PRO

STATIC NEUTRAL

Introduction:

Models covered by this operating manual are:

- Ioniser-Pro 320
- Ioniser-Pro 600
- Ioniser-Pro 1200

Ioniser-Pro is a DC ionising unit designed within a compact and easily mountable package, This enables the easy incorporation of the unit into packaging, printing, bagging machinery and working areas.

The power supply has been designed to be extremely durable and provide long trouble free service.

The ioniser bar is connected to the power supply by a two metre cable protected by a flexible conduit that is sealed at both ends.

This configuration allows the power supply to be mounted well away from moving components conveniently. As the connecting cable carries only low power through a sealed conduit, the safety of the Ioniser-Pro unit is enhanced.

The splash proof conduit provides reassurance for the effective placement of the unit.

IONISER-PRO

STATIC NEUTRAL

Unpacking & Inspection:

Your Ioniser-pro was carefully packed in a container designed to protect it from damage. We recommend careful examination of the packaging before fully unpacking.



IONISER-PRO

STATIC NEUTRAL

Safety

- Ioniser Pro units are sold as sealed units and as such there are no user serviceable parts. Other than changing fuses 'A' or 'B', users or installers should not attempt to remove covers, modify or repair in any way.
- Ioniser Pro units should be disconnected from the power supply before installation or maintenance.
- A pre-installation visual inspection should be performed to ensure the power supply, cables, plugs and wand are free from damage.
- Periodic visual inspection should be performed to ensure the power supply, cables, plugs and wand are free from damage and not in contact with moving parts.
- Ioniser Pro products are designed to eliminate electrostatic build up only and should not be used for any other purpose.
- Improper use, modification or damage to the Ioniser Pro product will invalidate any warranty and nullify EMC & CE approval.
- Ioniser Pro products should only be connected to the input voltage as specified on the unit.
- Please note emitter spikes are very sharp. Care should be taken when handling the ioniser bar.

IONISER-PRO

STATIC NEUTRAL

Features of your Ioniser-pro:

Sealed Construction:

The sealed construction of the ioniser bar resists ingress from dust and moisture. If the bar gets wet please dry with a soft cloth taking care not to leave lint on the emitter spikes. Please note emitter spikes are very sharp, care should be taken whilst handling the bar.

Sealed Conduit

The sealed conduit covering the power lead allows additional piece of mind from moisture and dust interference. It also allows the unity of the parts to remain intact and prevents the necessity for assembly.

T-Slot

The ioniser bar is fitted using the T-slot on the rear. The supplied bolts and brackets may be positioned to suit the most convenient mounting points.

One button on

Your Ioniser-pro has only one button to operate the device. Its ease of use is as simple as On or Off.



05

IONISER-PRO
STATIC NEUTRAL

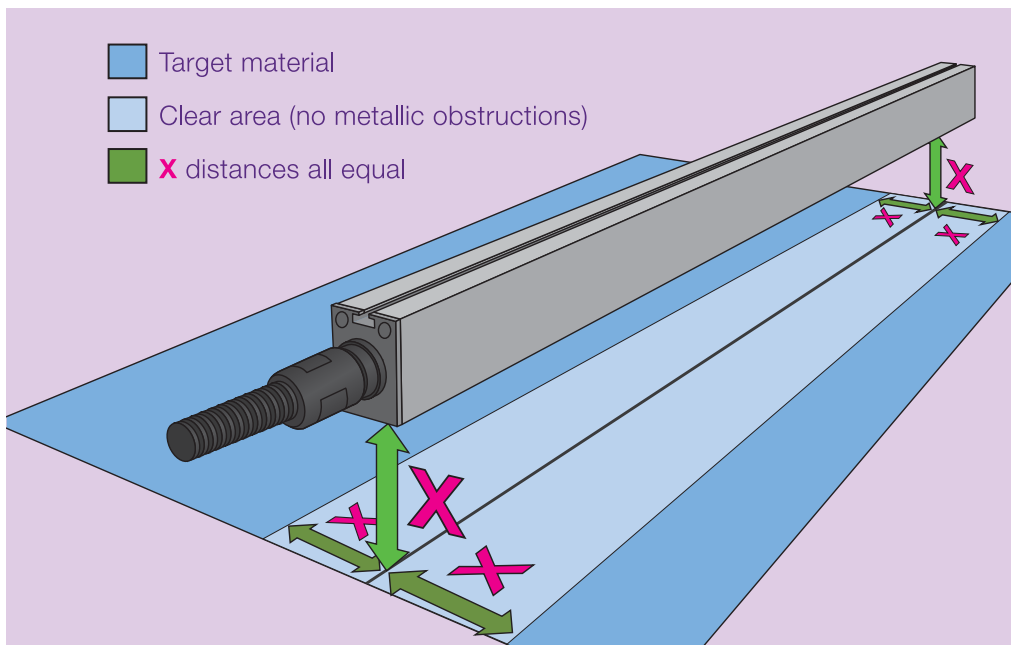
IONISER-PRO

STATIC NEUTRAL

Mounting:

The Ioniser-Pro should be mounted with a clear line of sight to the target surface between 25mm & 75mm. There must be no metallic objects or obstructions between the bar and the target material. The diagram below shows the clear areas.

The **X** dimensions must be equal.



IONISER-PRO

STATIC NEUTRAL

Installation:

The Ioniser-Pro should be mounted between 25mm & 75mm from the surface to be neutralised, with the emitters pointing directly at toward the work-piece.

Your Ioniser-Pro is supplied with stainless steel mounting brackets and fixings. Other mountings are available to allow the unit to be mounted in almost any position.

Please contact us to discuss options.

1. Attach the mounting brackets to the rear of the ioniser bar by sliding them in at the end as shown Fig A.
2. Slide the brackets across to the desired width for mounting and tighten the nut to affix.
3. Ensure the ionising bar is positioned 25mm - 75mm from the work-piece facing it.
4. Plug the power cable into the rear of the power unit Fig B.
5. Press red button to activate unit.

Fig A

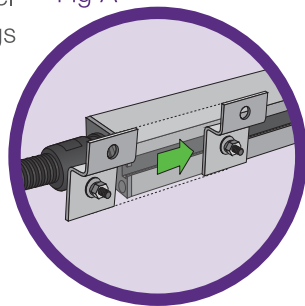
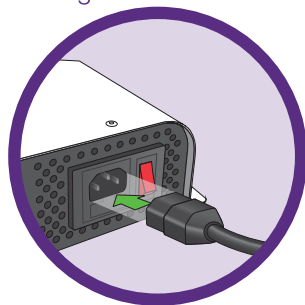


Fig B



IONISER-PRO

STATIC NEUTRAL

Maintenance:

It is important to keep your ioniser-pro clean to ensure the performance is not inhibited. The emitter pins will become contaminated over time and with usage and therefore you will need to clean them. The image top right shows a typical example of the type of build up you will see with regular usage.

To ensure optimum performance you should clean the device as part of regular machine maintenance.

Before commencing cleaning of the device ensure it is turned off.

The emitter bar and pins should be cleaned using the Ioniser-pro cleaning kit available at www.ioniser-pro.co.uk.

Allow the surface to dry fully before turning it back on.

CAUTION: Exposed sharp points



IONISER-PRO

STATIC NEUTRAL

Trouble Shooting

Your Ioniser-Pro has been designed to be as maintenance free as possible. However, the emitters should be cleaned every 6 months or as required using the Ioniser-Pro cleaning kit available from www.ioniser-pro.co.uk.

If your Ioniser-Pro ceases to work:

- Check the power cord is plugged in correctly at both ends.
- Unplug the unit from the mains & check fuse 'B' in the power cord plug.
- Unplug the unit from the mains & check fuse 'A' in the power supply.
- If your unit still does not work, please return it to the supplier for investigation.

Never attempt to remove covers or disconnect the ioniser bar from the power supply.

IONISER-PRO

STATIC NEUTRAL

Repairs & Warranty

Your Ioniser-Pro is warranted by Ioniser-pro to the original purchaser against defects in the construction materials and workmanship for one year after the date of purchase.

Should any problems with your Ioniser-pro please contact Ioniser-pro on 01937 586987 where a customer services representative will assist you. If required they will issue you with a returns number enabling you to ship your unit directly to Ioniser-pro. Your Ioniser-pro should be packaged satisfactorily to prevent further issues or damage and sent prepaid.

All returns should be shipped along with an authorisation number. For prompt service response, please display the authorisation code clearly on the packaging.

Please include a description of the issues you are experiencing giving as many details as possible.

Please also include instructions on how to return your Ioniser-pro to you.

Your Ioniser-pro unit requires a constant uninterrupted 240V supply to work correctly. Unwarranted damage will occur should this not occur.



IONISER-PRO

STATIC NEUTRAL

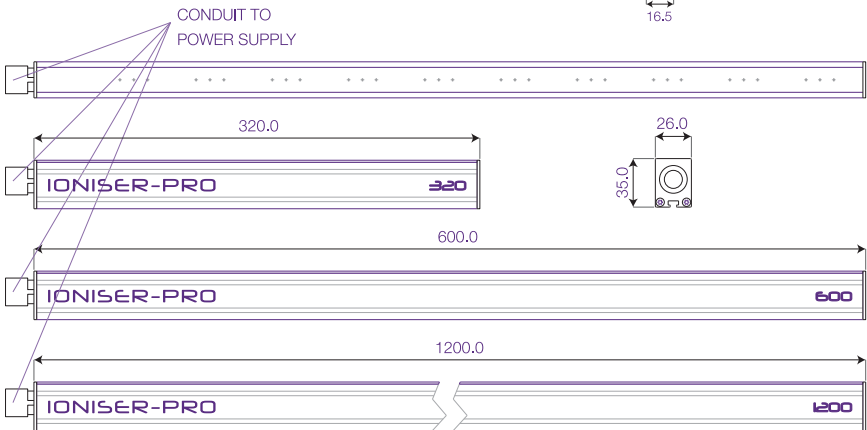
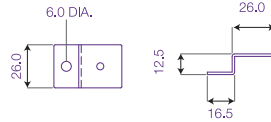
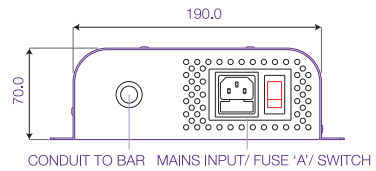
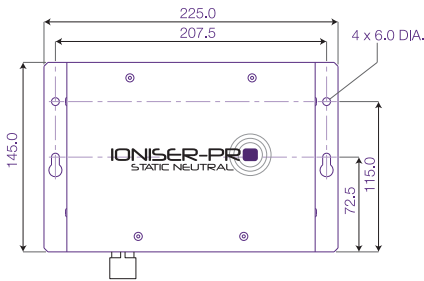
Construction and Technical Details

Dimensions (W x H)	- 26mm x 35mm
Length	bar (320) - 320mm
	bar (600) - 600mm
	bar (1200) - 1200mm
Power pack dimensions	- 225mm x 145mm x 70mm
Operating Range	- 25mm - 75mm
Mounting	- 'T' Slot with M4 bolts
Emitters	- Titanium pins
Input Current	- 230V AC mains
Frequency	- 50Hz
Output Voltage	- 6000V
Output Current	- 0.1A
Electrical Connection	- Standard IEC Connector (supplied)
Fuse	'A' - T1AH 250V
	'B' - 3 Amp
Max Operating Temperature	- +50°C
Ozone Emission	- < 0.1ppm

IONISER-PRO

STATIC NEUTRAL

Construction and Technical Details cont'd



IONISER-PRO

STATIC NEUTRAL

EN 61010-1: 2010 Safety testing

EN61326-1:2013 Electromagnetic compatibility

EN55011:2009 + A1:2010 Conducted emissions

EN55011:2009 + A1:2010 Radiated emissions

EN61000-3-2:2014 Harmonic emissions

EN61000-3-3:2013 Flicker

EN61000-4-2:2009 ESD

EN61000-4-3:2006 + A1:2008 + A2:2010 Radiated Immunity

EN61000-4-4:2004 + A1:2010 EFT/B

EN61000-4-5:2006 Surge

EN61000-4-6:2009 Conducted RF Immunity

EN61000-4-11:2004 Voltage dips and Interruptions

EN61000-4-8:2010 Power frequency Magnetic field immunity