

# BOILER 1-4

## Portable pipe bevelling machine

- **Range:** 20-108 mm i/d
- **Functions:** bevelling, facing, counterboring.
- **Materials:** any kind of steel.
- **Power:** pneumatic / electric.
- **Note:** the weight / power ratio makes it perfect for maintenance in power station shut-downs & boiler repair work.



**BOILER 1-4E**  
110V & 230V  
versions available



**BOILER 1-4 AUTOLOCK**  
Auto locking device  
for repetitive work.



**BOILER 1-4 AUTO**  
Fully automatic operation

## TECHNICAL FEATURES

### BOILER 1-4

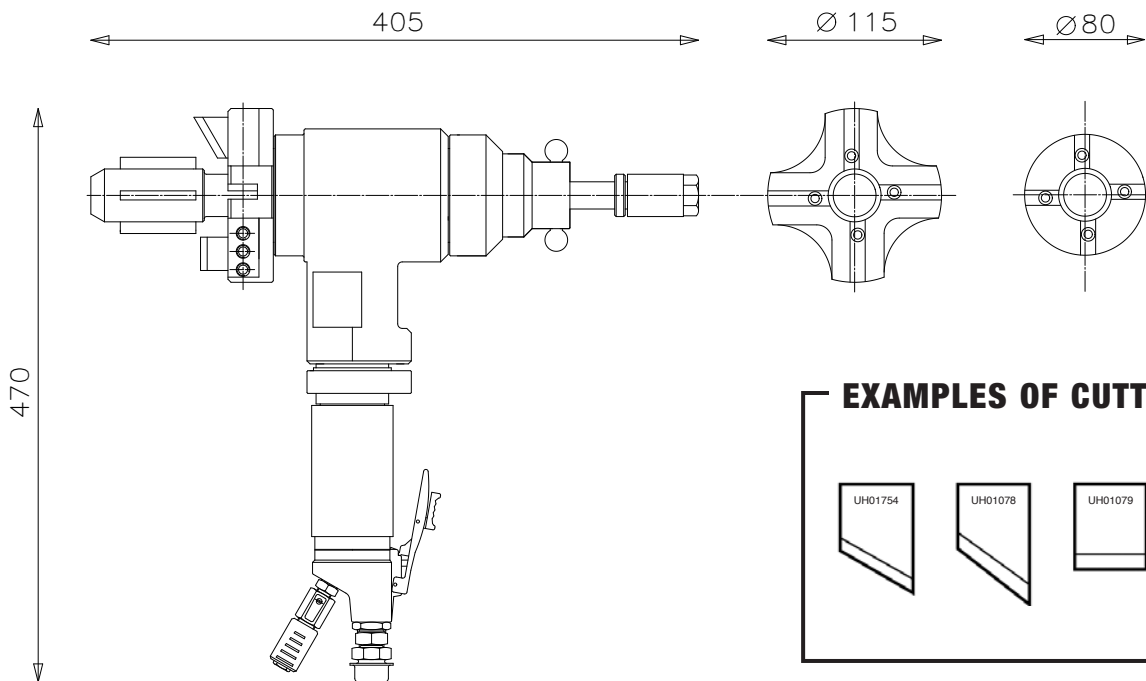
### BOILER 1-4E

Locking range	mm $\varnothing$ i/d.)	23-108	23-108
Idle speed	Rpm	70	70
Torque	Nm	140	143
Feeding stroke	mm	40	40
Pneumatic motor power	Hp (W)	1,33 (1020)	-
Air consumption	cfm	55-60	-
Air pressure	psi	90	-
Air hose connection	inches	3/4"	-
Electric motor power	Watt	-	800
Voltage	Volt	-	110/220
Frequency (cycles)	Hz	-	50
Max noise level	dB	75	75
Unit weight	Kg	9,0	10,0

## OPTIONAL



AVAILABLE HUCK DIAM 80MM FOR TIGHT SPOTS



All units are supplied complete with all gripping segments to cover the full range of the machine. Service tools, drawings, instruction manual and warranty certificate are also supplied as standard. Each machine is supplied with a protective carrying case. We strongly recommend the use of the GBC portable filter lubricator with all our pneumatic models.