

SUPERBOILER T4

Portable pipe bevelling machine

- **Range:** 39 - 104 mm i/d .
- **Functions:** bevelling, facing, counterboring.
- **Materials:** any kind of steel.
- **Power:** pneumatic/electric.
- **Note:** an extremely powerful machine designed to handle all the tough heavy wall tubes. Due to its power is commonly used for seal weld removal on boiler re-tube jobs



SUPERBOILER T4 AUTOLOCK

Auto locking device available for repetitive work.

SUPERBOILER T4 E

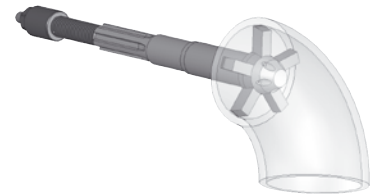
110V & 230V

TECHNICAL FEATURES

SB T4 SB T4 E

| | | | |
|-----------------------|-----------------|-------------|---------|
| Locking range | mm ϕ i/d.) | 39-104 | 39-104 |
| Idle speed | Rpm | 70 | 70 |
| Torque | Nm | 180 | 245 |
| Feeding stroke | mm | 40 | 40 |
| Pneumatic motor power | Hp (W) | 1,33 (1020) | - |
| Air consumption | cfm | 55-60 | - |
| Air pressure | psi | 90 | - |
| Air hose connection | inches | 3/4" | - |
| Electric motor power | Watt | - | 1020 |
| Voltage | Volt | - | 110/220 |
| Frequency (cycles) | Hz | - | 50 |
| Max noise level | dB | 75 | 75 |
| Unit weight | Kg | 17,0 | 18,0 |

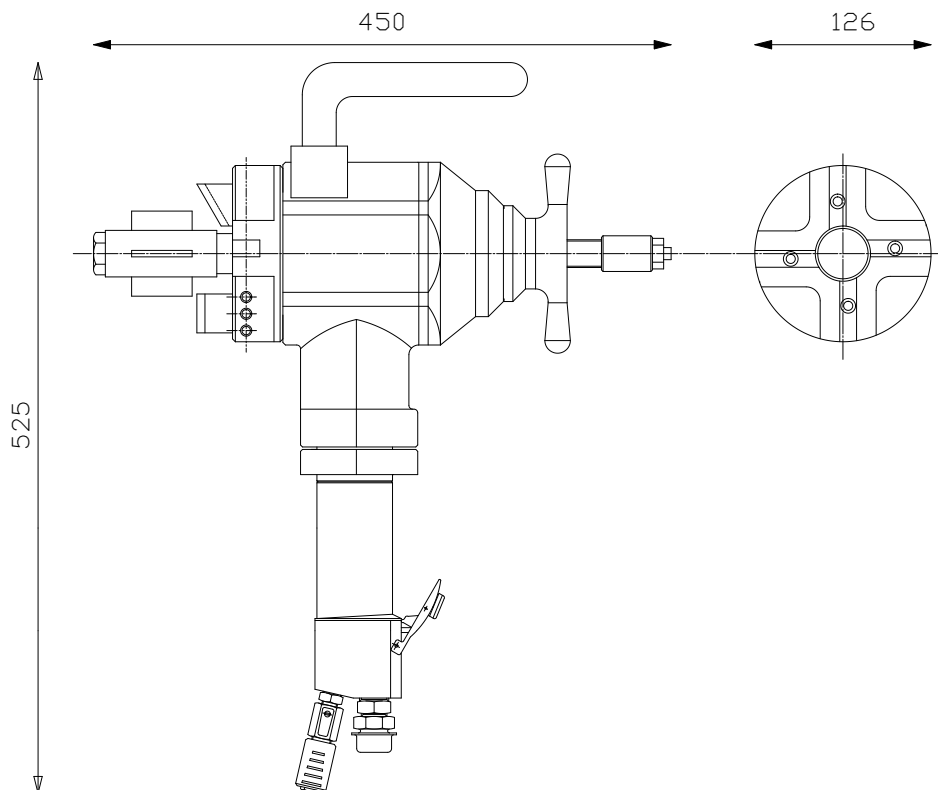
OPTIONAL



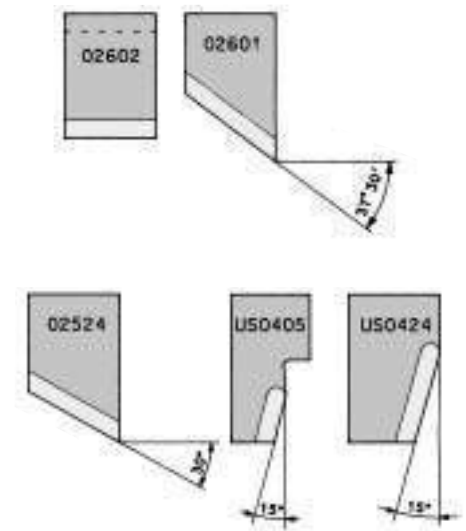
ELBOW LOCKING SHAFTS

AVAILABLE COVER A RANGE FROM 46 TO 103mm/i.d.

| Albero Shaft | Locking range (i/d.) | |
|--------------|----------------------|-------------|
| | mm | inches |
| 45 ϕ | 46 - 103 | 1.81 - 4.06 |



EXAMPLES OF CUTTER BITS



All units are supplied complete with all gripping segments to cover the full range of the machine. Service tools, drawings, instruction manual and warranty certificate are also supplied as standard. Each machine is supplied with a carrying case. We strongly recommend the use of the GBC portable filter lubricator with all our pneumatic models.