

# BUNDLE PULLERS



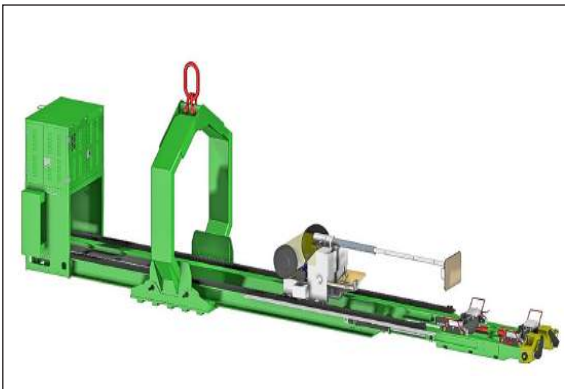
## GBC Into-Clean or Exto-Clean

Bundle cleaning internally or externally an essential part of maintenance ensuring the bundle is giving maximum efficiency, which in turn will maximise performance and minimise running costs. GBC offers two robotic systems for cleaning tubes internally or externally once the bundle has been removed from shell. Both systems are available in 2 length models & bundles are rotated by a powered roller system which is common to both types of systems.



## GBC Bundex

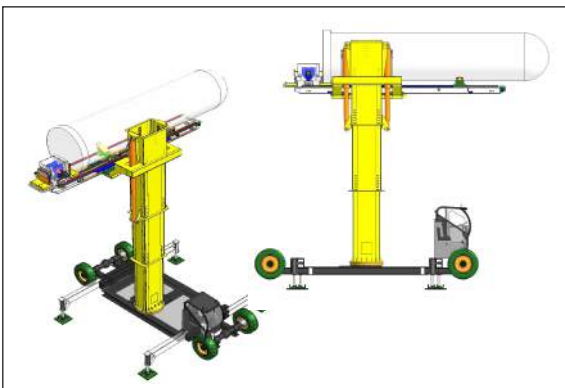
The diesel powered, hydraulic operated, 4 steerable wheel drive bundle transporter is the ideal link between extraction and cleaning/maintenance. Due to the Bundex's extreme manoeuvrability feature, it takes away the potential difficulty of transporting bundles around refineries or process plants where there may be limited access. The Bundex is an essential machine where speed & safety are at either end of costly shutdowns.



## GBC Bund-Pull

Quick hooking tube bundle puller  
(Off-shore and On-shore versions available)

The Off-shore version of the GBC Bund-Pull unit has been produced to meet the need for extraction of tube bundles on petroleum platforms and installations at sea on large vessels. The machine GBC Bund-Pull, is produced for Offshore purposes following the most rigid standards concerning shipbuilding.



## GBC Hi-Mob Puller

Self-positioning Puller, remote controlled for extraction, hoisting and movement of tube bundles  
(Off-shore and On-shore versions available)

The Off-shore version of the GBC Hi-Mob unit has been produced to meet the need for extraction of tube bundles on petroleum platforms and installations at sea on large vessels. The machine consists of a GBC Hi-Mob, produced for Off-shore purposes following the most rigid standards concerning shipbuilding.