

Challenge 15

Portable Plate Edge Beveling Machine



The Challenge 15 once mounted onto the plate edge will propel itself along automatically without any operator intervention

Range: ¼" – 1½" thickness

Functions: from 22½° to 55°

Materials: any type of steel and aluminium

Power: electric 3 phase

No more Grinding! The **Challenge 15** machine gives you a clean bevelled weld ready surface with no thermal distortion, saving time and money. This model offers automatic self feeding of the plate when beveling small strips, or once positioned on a large plate will travel along the edge to the end with no requirement for intervention by the operator. Various angles from 22 to 55 degrees can be machined on different materials including stainless steel. There is no need to change rollers to change the angle of bevel. Our cutter head can be adjusted from angle to angle in minutes.

The **Challenge 15** is fitted with a two speed motor, enabling the operator to reduce the speed according to the material, thus dramatically increasing the life of the milling tool when beveling stainless steel and more exotic materials.

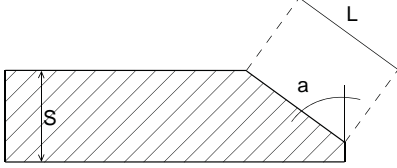


Close up of the milling cutter

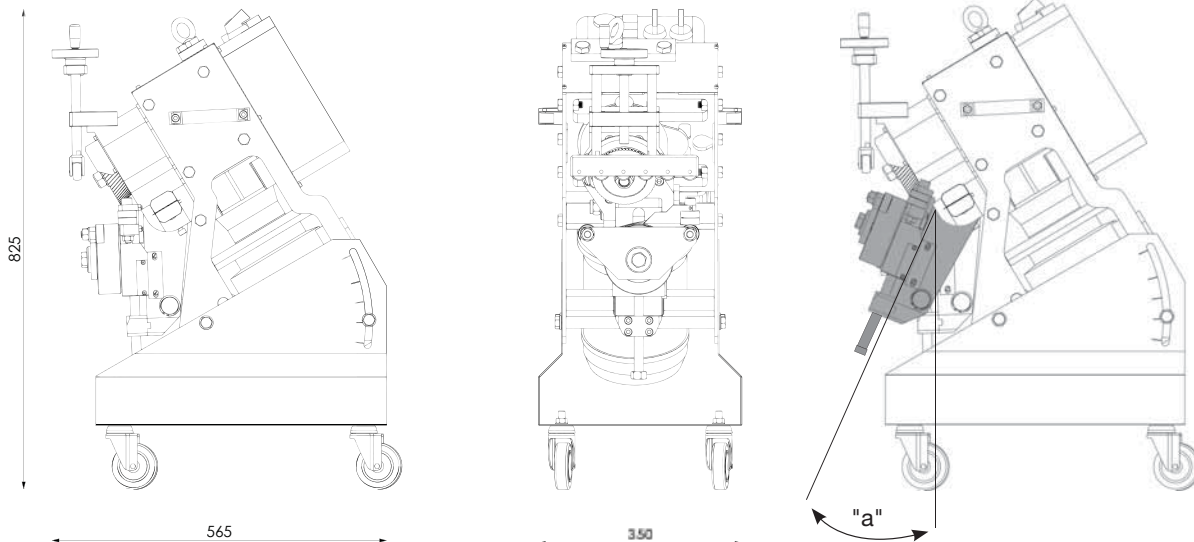
Technical Features

Power	Volts / Hz / Phase	380* / 50 / 3
Bevelling speed	Surface metres / min	1.5 3
Electric motor power	Kw	.42 .80
Min. plate width	Inches / Millimetres	2.75" / 70mm
Plate thickness	Inches / Millimetres	¼" - 1 ½" / 6-40mm
Bevel angles	Degrees	22½° to 55°
Weight	Kg	104

*Different Voltage available on request

BEVEL CHART		
		
Bevel Angle (a)	Max Width Across Bevel (L)	
	Carbon Steel	Stainless Steel
22½°	18mm	13mm
30°	18mm	15mm
37½°	17mm	12mm
45°	16mm	12mm
55°	14mm	10mm

Different types of milling cutters are available according to the material to be machined.



Ordering Information	Part No.
Challenge 15	C11650/00
Milling tool for Carbon Steel	V03385/CARB
Milling tool for Stainless Steel	V03601/INOX
Hydraulic height adjustable trolley	04010/00
Millings tools for other materials available on request	

All CHALLENGE 15 units are supplied in wooden boxes for storage and transportation, complete with milling tool for carbon steel, angle, service wrenches, drawings, instruction manual and warranty certificate.