

# compact **EDGE** **Reverse**

Range w.t. 6-60 mm (1/4" – 2 3/8")

Brand new plate beveling machine **Compact EDGE Reverse**, featuring the same technical expedients of the standard version equipped with a high speed face mill with interchangeable inserts, with reduced structural dimensions and weight, for a more flexible and dynamic use.



plate detecting sensor



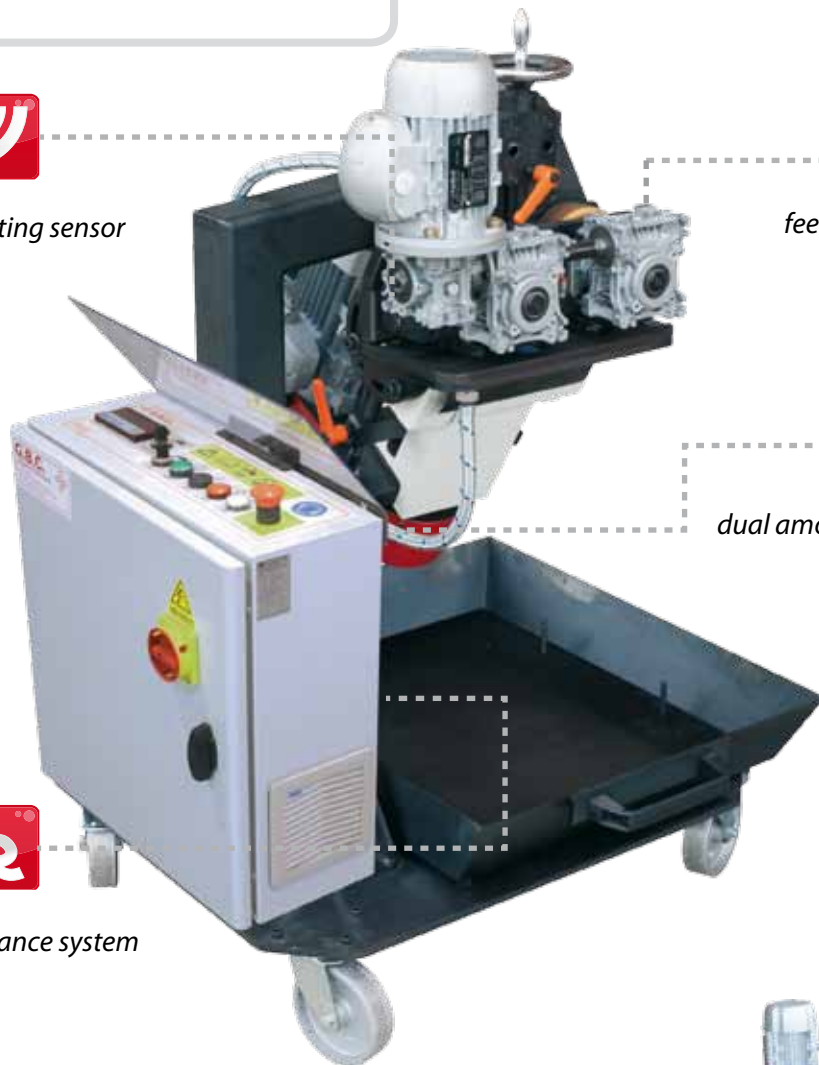
feeding system



dual amortization system

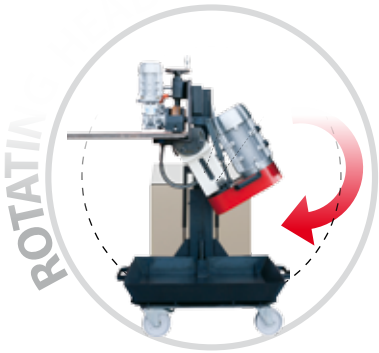


chips conveyance system



**Compact EDGE Reverse** has been developed to bevel the lower side of the plate edge, when double bevel is required, without having to move the metal sheet granting a considerable saving of time and resources.



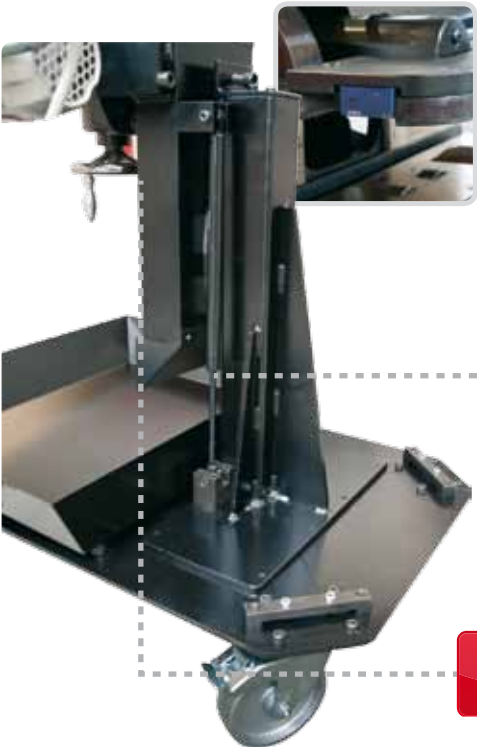


The machine is equipped with a stepless variable head type which allows bevel angles from 15° to 60°, granting a very easy and quick adjustment of the angle of bevel.



### Control panel

New on board control panel to operate the machine main functions.



The machine is equipped with a plate detecting sensor and trolley with a new chips conveyance system. We have also implemented a dual amortization system which allows to overcome eventual imperfections of the wall thickness or eventual variations of the plate, as well as the imperfections of the ground.

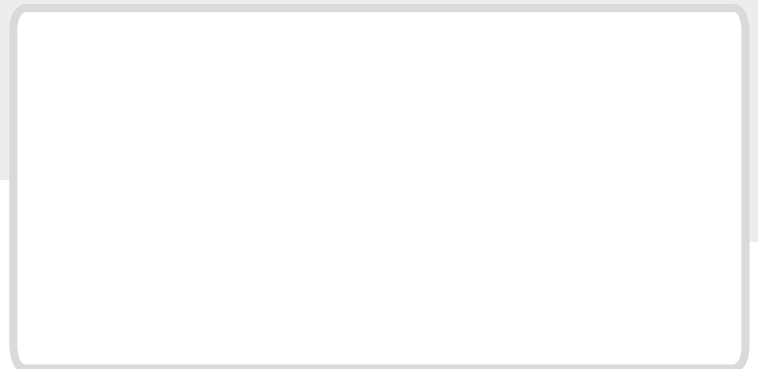


# OPTIONAL



## Speed Regulator

*The plate beveller Compact EDGE can be equipped with a speed regulator. Such device, which on this model is an optional, can be directly installed onboard from the factory when purchased with the machine or in a latter moment by a simply plugging the special connector.*



# compact EDGE

Range w.t. 6-60 mm (1/4" - 2 3/8")

## TECHNICAL FEATURES

**compact  
EDGE**

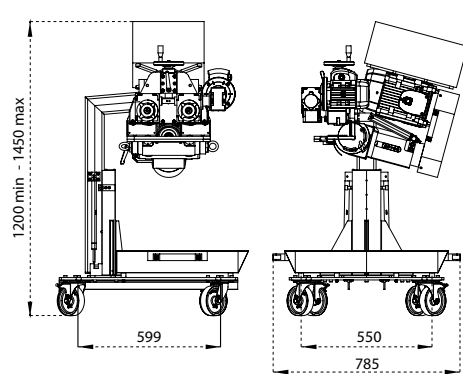
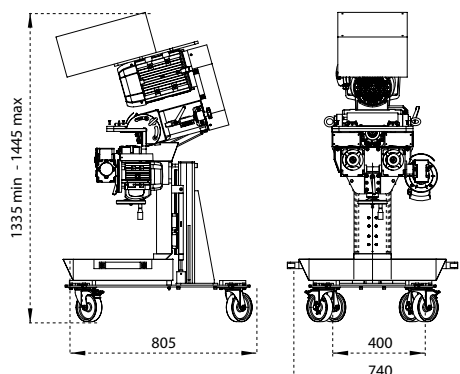
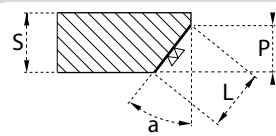
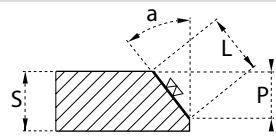
**compact  
EDGE  $\mathcal{R}$  reverse**

alimentazione std. <i>std. voltage</i>	volt/hz/phase	400 / 50 / 3	400 / 50 / 3
velocità di smusso variabile <i>adjustable beveling speed</i>	m/min <i>surface feet/min</i>	0 - 1.6 0 - 5.25	0 - 1.6 0 - 5.25
potenza motore elettrico <i>electric motor power</i>	kw	3	3
spessore lamiera <i>plate thickness</i>	mm <i>inch</i>	6 - 60 1/4" - 2 3/8"	6 - 60 1/4" - 2 3/8"
angolo di smusso std <i>std bevel angle</i>	gradi <i>deg</i>	15° - 60°	15° - 60°
n° giri fresa senza variatore <i>face mill speed without speed regulator</i>	gg/min <i>rpm</i>	800	800
n° giri fresa con variatore <i>face mill speed with speed regulator</i>	gg/min <i>rpm</i>	min 300 - max 800	min 300 - max 800
( $\emptyset$ ) fresa a 9 inserti <i>9 inserts face mill (<math>\emptyset</math>)</i>	mm <i>inches</i>	80 3.15"	80 3.15"
peso macchina totale <i>machine gross weight</i>	kg <i>lb</i>	210 462,97	210 462,97
peso testa senza carrello <i>machine head weight without trolley</i>	kg <i>lb</i>	143 315,26	143 315,26
peso carrello <i>trolley weight</i>	kg <i>lb</i>	67 147,70	67 147,70

\*Differenti voltaggi a richiesta - \*Different voltage available on request

BEVEL ANGLE "a"	MAX PLATE W.T. "S"	MAX BEVEL PERFORMANCE*	
		"L"max	"P"max
15°	60 mm	40 mm	38,7 mm
22,5°	60 mm	40 mm	37,0 mm
30°	60 mm	40 mm	34,7 mm
37°31'	60 mm	40 mm	31,7 mm
45°	60 mm	40 mm	28,3 mm
55°	60 mm	40 mm	23,0 mm
60°	60 mm	40 mm	20,0 mm

\*In multiple steps



COMPACT EDGE

COMPACT EDGE  $\mathcal{R}$  reverse