

# GBC TI

Range 7" - 13 3/8" (API casings)

## GBC portable machine for Casing Cut & Bevel

No stabilizers, centralizers, rings or adaptors needed ❁

Cut & bevel to any depth (no limit) ❁

Machine can be operated fully remote ❁

❁ Portable for on-site application

❁ Reduced wellhead downtime

The GBC TI machine is engineered to cut a complete section of a casing with a precision depth. It can be lowered down to the cut line in the well, at any depth.

The automatic hydraulic ID clamp is made with 2 independent sections, between those mounted in the blade holder. During the cutting operations, the blades are gradually deployed outside the chuck by mechanical action until the cut is completed. An electronic counter located , indicates the blade's trip stroke. The tool post feeding is reversible for the blade retraction.

The machine can also be operated fully remote.



**RANGE:**

7" to 13 3/8" API casing

**FUNCTIONS:**

Internal tube cutting & beveling

**MATERIALS:**

Carbon steel, alloys and stainless steel

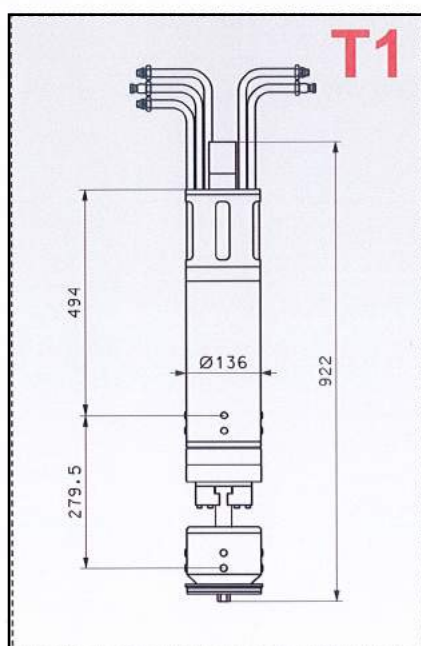
**POWER:**

Hydraulic



## TECHNICAL FEATURES

|                                   |             | TI 1      | TI 2       |
|-----------------------------------|-------------|-----------|------------|
| Capacità bloccaggio               | mm (Æi)     | 145-221   | 239-315    |
| Locking range                     | inch (Æ id) | 5.70-8.70 | 9.40-12.40 |
| Velocità a vuoto                  | gg/min      | 24        | 20         |
| Idle speed                        | Rpm         | 24        | 20         |
| Corsa radiale                     | mm          | 20        | 30         |
| Radial stroke                     | inch        | 0.787     | 1.181      |
| Avanzamento radiale al giro       | mm          | 0.1       | 0.1        |
| Radial feed per rev.              | inch        | 0.004     | 0.004      |
| Potenza nominale motore idraulico | Hp/Kw       | 2.3-1.7   | 8.1-6      |
| Nominal hydraulic motor power     | Hp/Kw       | 2.3-1.7   | 8.1-6      |
| Erogazione olio                   | L/min       | 20        | 40         |
| Oil flow rate                     | gpm         | 5.2       | 10.4       |
| Pressione di lavoro               | bar         | 70        | 85         |
| Oil pressure                      | psi         | 1015      | 1232       |
| Peso macchina                     | Kg          | 59        | 110        |
| Unit weight                       | LBS         | 131       | 244        |



## DIMENSION

