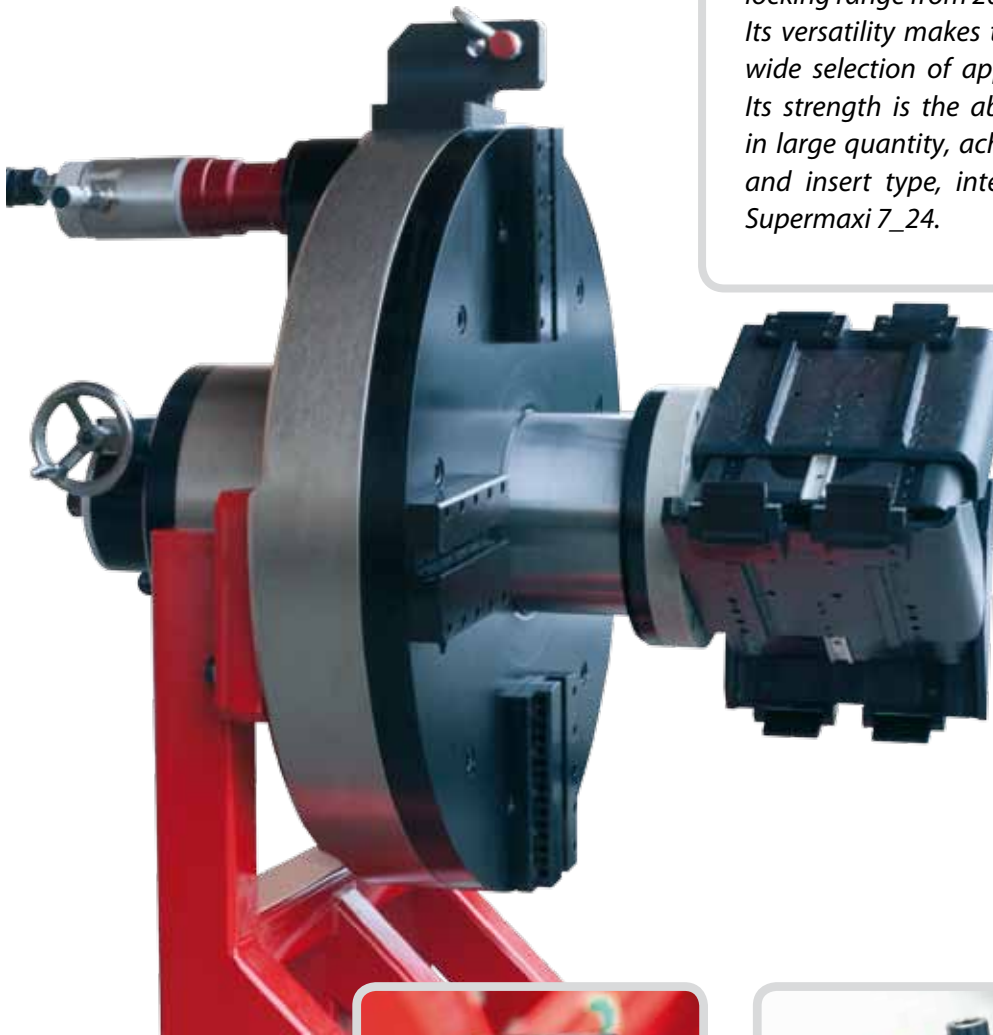


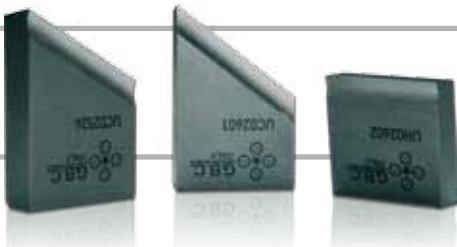
HYPERMAXI 20-36

New pipe bevelling machine with a wide inside locking range from 20" to 36"

Its versatility makes this machine suitable for a wide selection of applications in several fields. Its strength is the ability of removing material in large quantity, achievable both with the HSS and insert type, interchangeable tooling with Supermaxi 7_24.



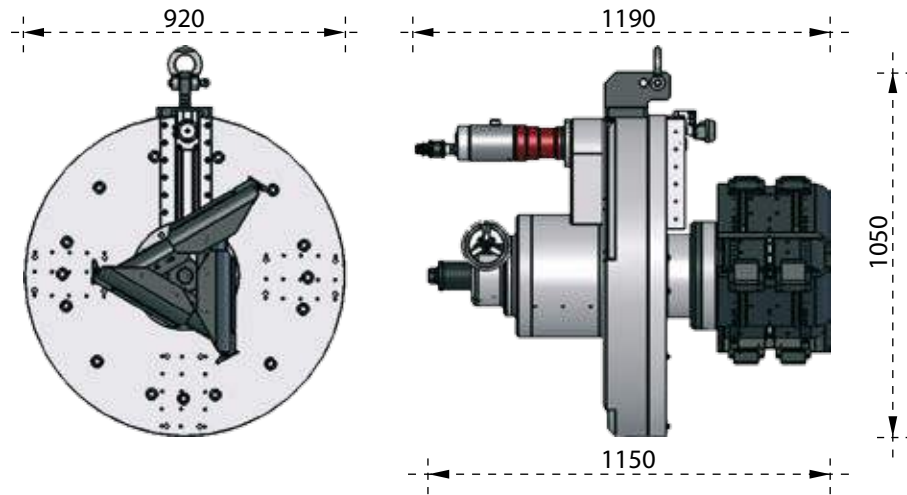
Range 508 - 937 mm (20" - 36")



standard

special

- DIMENSIONS



TECHNICAL FEATURES

		Pneumatic	Hydraulic
<i>Internal locking range</i>	mm in	508 - 937 20" - 36"	508 - 937 20" - 36"
<i>Idle Speed</i>	rpm	7	26
<i>Axial Stroke</i>	mm in	100 3.94	100 3.94
<i>Motor Power</i>	W hp	4 2942	15 11025
<i>Air Consumption</i>	L/min cfm	2690 95	-
<i>Air Pressure</i>	bar psi	6 90	-
<i>Air Hose Connection</i>	in	3/4"	-
<i>Max working Pressure</i>	bar psi	-	100 1500
<i>Oil Flow</i>	cfm	-	40
<i>Max Acoustic Emissions</i>	db	75	75
<i>Weight</i>	kg	700	700