

PIPE 4 orbital saw

Range 13 - 120 mm (1/2" - 4 1/2")

The new **Pipe4** with a new design and improved performance, such as increased stability and cut precision. The new cam and slide system enables square, burr free cuts.

PIPE4



speed selector



PIPE4 manual

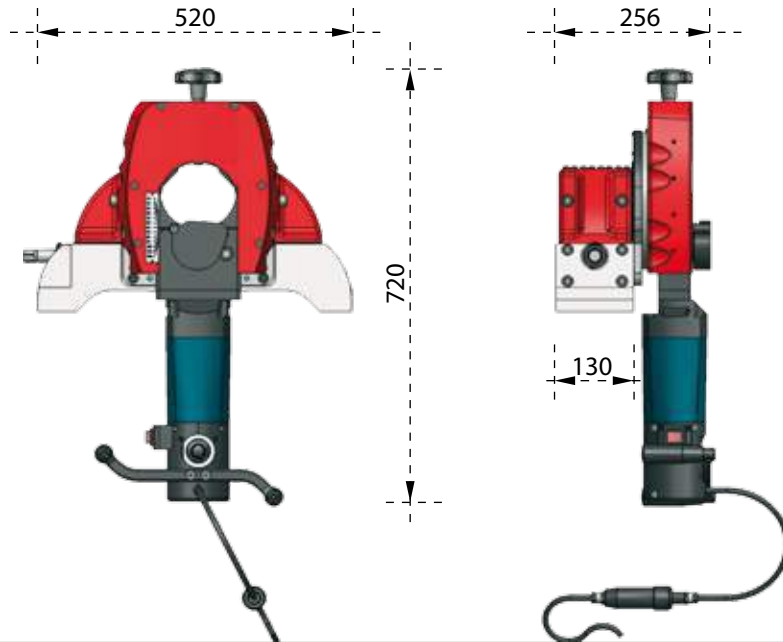
New ergonomic handle



Range 13 - 120 mm (1/2" - 4 1/2")

PIPE4

DIMENSIONS



TECHNICAL FEATURES

Locking range	mm in	13 ÷ 115 1/2" ÷ 4 1/2"
Pipe Thickness	mm	2 ÷ 8
Idle Speed	rpm	200 ÷ 300
Electric power	hp(W)	2200
Voltage	V	110/220
Frequency	Hz	50/60
Max Acoustic Emission	db	75
Weight	kg	85

**Different voltage available on request*