

# PIPE 8 orbital saw

Range 80 - 230 mm (3" - 8")

The new **PIPE8** has been redesigned to improve performance, stability and cutting accuracy. It has a new cam and slide system which guarantee square, burr-free cuts every time. The **PIPE8** is available with manual or motorised rotation.



**PIPE8 motorized**



**speed selector**

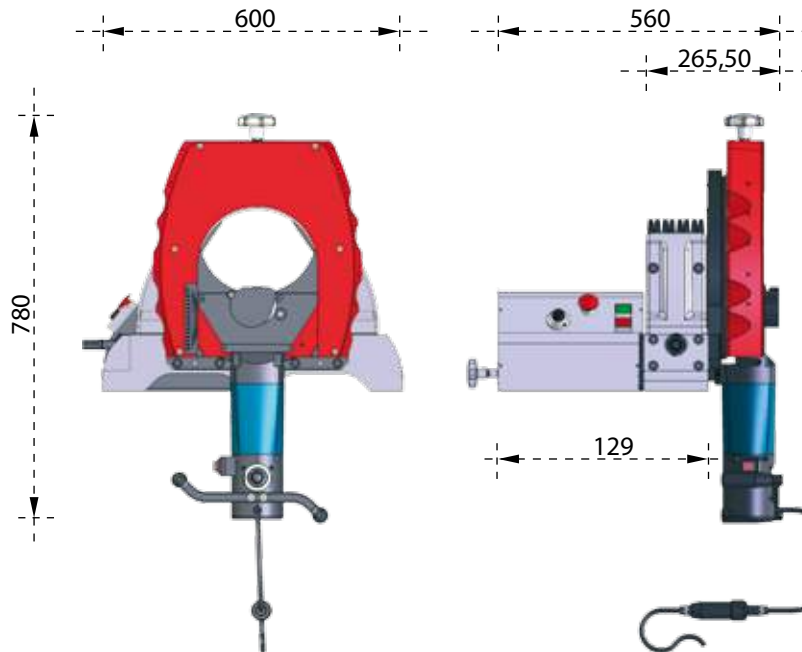


**PIPE8 manual**



## DIMENSIONI - DIMENSIONS

PIPE8



## TECHNICAL FEATURES

Locking range	mm in	80 ÷ 230 3" - 8"
Pipe Thickness	mm	2 ÷ 10
Idle Speed	Rpm	200 ÷ 300
Machine rotation speed	Rpm	0 ÷ 1.5
Power	Hp(W)	2200
Voltage	V	110/220
Frequency	Hz	50/60
Max Acoustic Emission	db	75
Weight	kg	145

\*Different voltage available on request