

# **SUMO**

## **PRODUCT RANGE**



**IMPROVING FARM PRODUCTIVITY**



## **Sumo; a name rich in tradition and synonymous with strength and power.**

Our machines are built to this same mantra. With extensive farming experience behind them, our design and production team create products that are built to last. Choose to buy a Sumo UK machine and you'll be investing in a long term, cost-effective solution to establish your crops without detriment to the yield. Our dedicated customer service and support team ensure you are not only buying a machine but a farming partner.

Choose a solution. Choose Sumo.

# Contents

<b>2</b>	Company Overview	<b>24 - 25</b>	Strake
<b>3</b>	Contents	<b>26 - 27</b>	DTS
<b>4 - 5</b>	Mounted Trio	<b>28 - 29</b>	DD
<b>6 - 7</b>	Trailed Trio	<b>30 - 31</b>	DTS and DD Toolbars
<b>8 - 9</b>	Quatro	<b>32 - 33</b>	Front Hopper & Multipacka
<b>10 - 11</b>	Multipress	<b>34</b>	Options & Extras
<b>12 - 13</b>	Mixidisc	<b>35</b>	Front Weight
<b>14 - 15</b>	LDS	<b>36 - 37</b>	LMD & Trailing Kit
<b>16 - 17</b>	GLS	<b>38 - 39</b>	Sumoseeder & SDO
<b>18 - 19</b>	Subsoiler	<b>40 - 41</b>	Packer Options
<b>20 - 21</b>	Rippa	<b>42 - 43</b>	Wearing Metal Options
<b>22 - 23</b>	DTS Image		

# Mounted Trio

One-pass seed bed preparation. The Trio alleviates sub-surface compaction and mixes stubble and soil, leaving a level surface ready for seeding.

<b>PRODUCT SPECIFICATIONS</b>	<b>TRIO 2.5</b> S/P	<b>TRIO 2.5</b> A/R	<b>TRIO 3</b> S/P	<b>TRIO 3</b> A/R	<b>TRIO 3.5</b> A/R
Code	TR2.5SP	TR2.5AR	TR3SP	TR3AR	TR3.5AR
Working Width	2.4m	2.4m	2.9m	2.9m	3.4m
Transport Width	2.55m	2.55m	3.0m	3.0m	3.5m
Subsoiler Leg	5	5	6	6	7
Leg Spacing	500mm	500mm	500mm	500mm	500mm
Maximum Leg Depth	400mm	400mm	400mm	400mm	400mm
Discs	18	18	22	22	24
Disc Depth	30-100mm	30-100mm	30-100mm	30-100mm	30-100mm
Disc Adjustment	Manual	Manual	Manual	Manual	Manual
Type	Rigid	Rigid	Rigid	Rigid	Rigid
Weight	2468kg	2515kg	2795kg	2855kg	3070kg

Tungsten tipped points make for significantly reduced downtime.



Disc unit can be removed.



760mm Sumo Multipacka roller with shouldered rings and drive lugs.

Ultra-low draught subsoiler legs mounted in a staggered pattern for good trash flow.



Double row of 500mm concave discs mounted in pairs to prevent disc stalling.

**PACKER OPTIONS**

MULTIPACKA

DIAMOND

TYRE

FLAT

SHARP

CHANNEL

ROLLER

Available





# Trailed Trio

One-pass seed bed preparation. The Trio alleviates sub-surface compaction and mixes stubble and soil, leaving a level surface ready for seeding.

<b>PRODUCT SPECIFICATIONS</b>	<b>TRAILED TRIO 3 A/R</b>	<b>TRAILED TRIO 3.5 A/R</b>	<b>TRAILED TRIO 4.5 A/R</b>	<b>TRAILED TRIO 5.5 A/R</b>	<b>TRAILED TRIO 6.5 A/R</b>
Code	TTR3AR	TTR3.5AR	TRF4.5AR	TRF5.5AR	TRF6.5AR
Working Width	3.0m	3.5m	4.5m	5.5m	6.5m
Transport Width	3.25m	3.75m	3.0m	3.0m	3.0m
Subsoiler Leg	6	6	9	11	13
Leg Spacing	500mm	583mm	500mm	500mm	500mm
Maximum Leg Depth	400mm	400mm	400mm	400mm	400mm
Discs	23	28	34	42	52
Disc Depth	30-100mm	30-100mm	30-100mm	30-100mm	30-100mm
Disc Adjustment	Manual	Manual	Manual	Manual	Manual
Type	Rigid	Rigid	Hydraulic Folding	Hydraulic Folding	Hydraulic Folding
Weight	4220kg (4745kg with front discs)	4705kg (5300kg with front discs)	8630kg	9100kg	10025kg

Sumo Multipacka roller  
800mm with shouldered  
rings. +

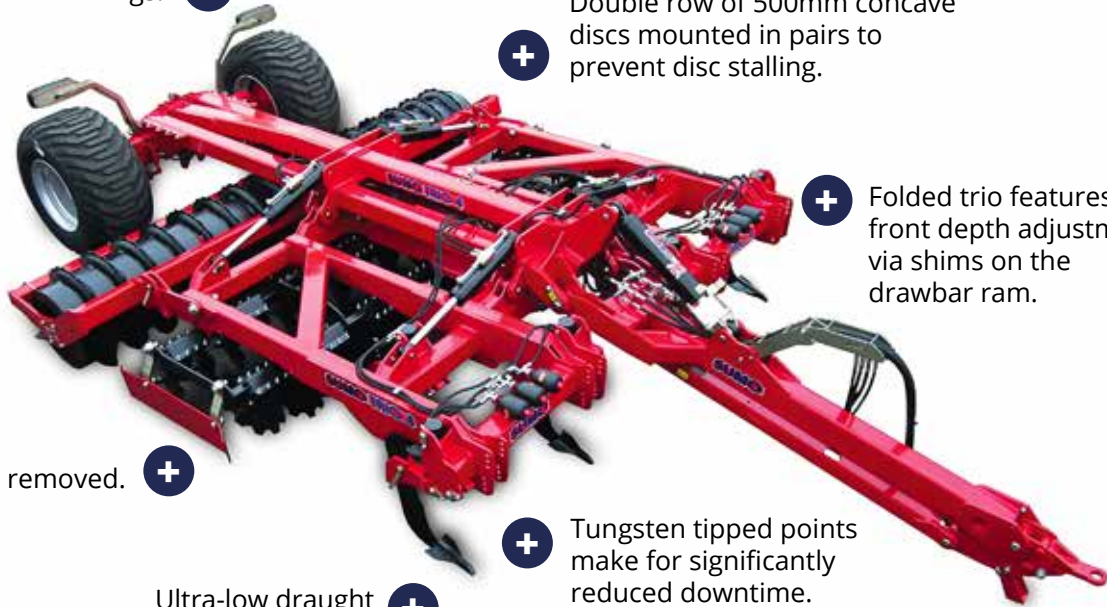
Double row of 500mm concave  
discs mounted in pairs to  
prevent disc stalling. +

Folded trio features  
front depth adjustment  
via shims on the  
drawbar ram. +

Disc unit can be removed. +

Tungsten tipped points  
make for significantly  
reduced downtime. +

Ultra-low draught  
subsoiler legs. +



**TRAILED TRIO  
OPTIONS**

	OPTIONAL 3M FRONT DISCS	OPTIONAL 3.5M FRONT DISCS	RIGID SEEDER FITTING KIT	FOLDING SEEDER FITTING KIT	REAR DRAWBAR*	3RD HYDRAULIC SERVICE TO REAR DRAWBAR*	AIR BRAKE KIT
Code	FD3	FD3.5	TTRSFK	TRFSFK	TRFRD	TRF3SK	TRFABK

\* ONLY AVAILABLE WITH FOLDING MACHINES.

**PACKER OPTIONS**

	MULTIPACKA	DIAMOND	TYRE	FLAT	SHARP	CHANNEL	ROLLER
Available	✓	✓	✓	✗	✓	✓	✓

# Quatro

The Sumo Quatro is a versatile one-pass minimum tillage cultivator. Its four elements can be fine-tuned to adapt to a variety of conditions.

PRODUCT SPECIFICATION	QUATRO 3	QUATRO 4	QUATRO 5	QUATRO 6
Code	Q3	Q4	Q5	Q6
Working Width	3.0m	4.0m	5.0m	6.0m
Transport Width	3.25m	3.0m	3.0m	3.0m
Subsoiler Leg	6	8	10	12
Leg Spacing	500mm	500mm	500mm	500mm
Maximum Leg Depth	400mm	400mm	400mm	400mm
Discs	48	64	80	96
Disc Depth	30-100mm	30-100mm	30-100mm	30-100mm
Disc Adjustment	Hydraulic adjustable	Hydraulic adjustable	Hydraulic adjustable	Hydraulic adjustable
Type	Rigid	Hydraulic folding	Hydraulic folding	Hydraulic folding
Weight	7100kg	10210kg	15210kg	16100kg





Hydraulic auto-reset, ultra-low draught subsoiler legs. +

+ Sumo Multipacka roller 800mm with shouldered rings.

Tungsten tipped points make for significantly reduced downtime, with a maximum working depth of up to 400mm. +

+ Each element of the Quatro is adjustable, allowing the user to fine-tune the machine to suit local conditions.

<b>QUATRO OPTIONS</b>	REAR DRAWBAR	3RD HYDRAULIC SERVICE TO REAR DRAWBAR	SEEDER FITTING KIT	AIR BRAKE KIT
Code	QRD	Q3SK	QSFK	QABK

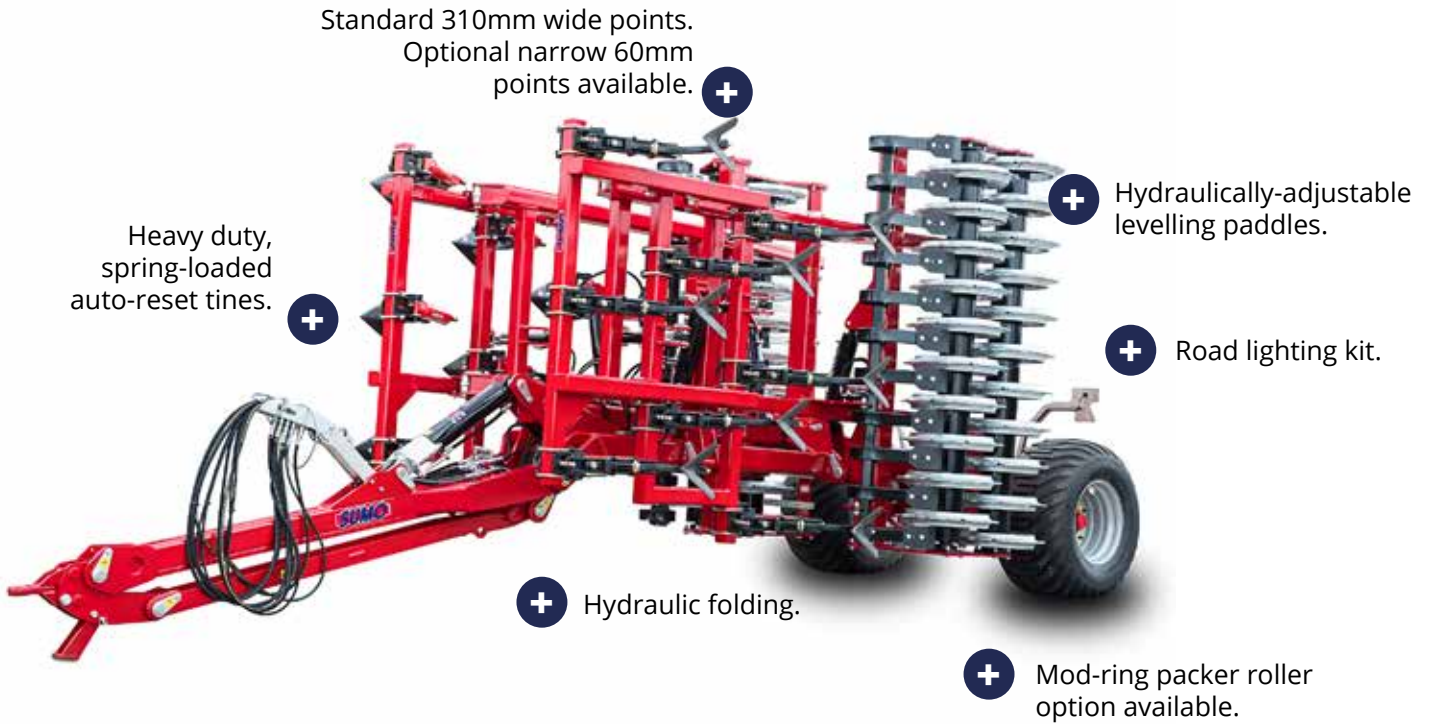
<b>PACKER OPTIONS</b>	MULTIPACKA	DIAMOND	TYRE	FLAT	SHARP	CHANNEL	ROLLER
Available	✓	✓	✓	✗	✓	✓	✓

# Multipress

The Multipress is a versatile machine for tilling, levelling and pressing on a wide variety of conditions.

<b>PRODUCT SPECIFICATION</b>	<b>MULTIPRESS 3M</b>	<b>MULTIPRESS 5M</b>	<b>MULTIPRESS 6M</b>
Code	MUL3	MUL5	MUL6
Working Width	3.0m	5.0m	6.0m
Transport Width	3.0m	2.8m	2.8m
Tines	10	16	20
Tine Spacing	300mm	300mm	300mm
Tine Depth	25-250mm	25-250mm	25-250mm
Type	Rigid	Hydraulic Folding	Hydraulic Folding
Hydraulic Brake	No	Yes	Yes
Weight	2440kg	6950kg	7680kg

● Pictured: 5M Multipress with double-ring packer.



**PACKER OPTIONS**

	MULTIPACKA	DIAMOND	TYRE	FLAT	SHARP	CHANNEL	ROLLER
Available	✓	✓	✗	✗	✓	✓	✓

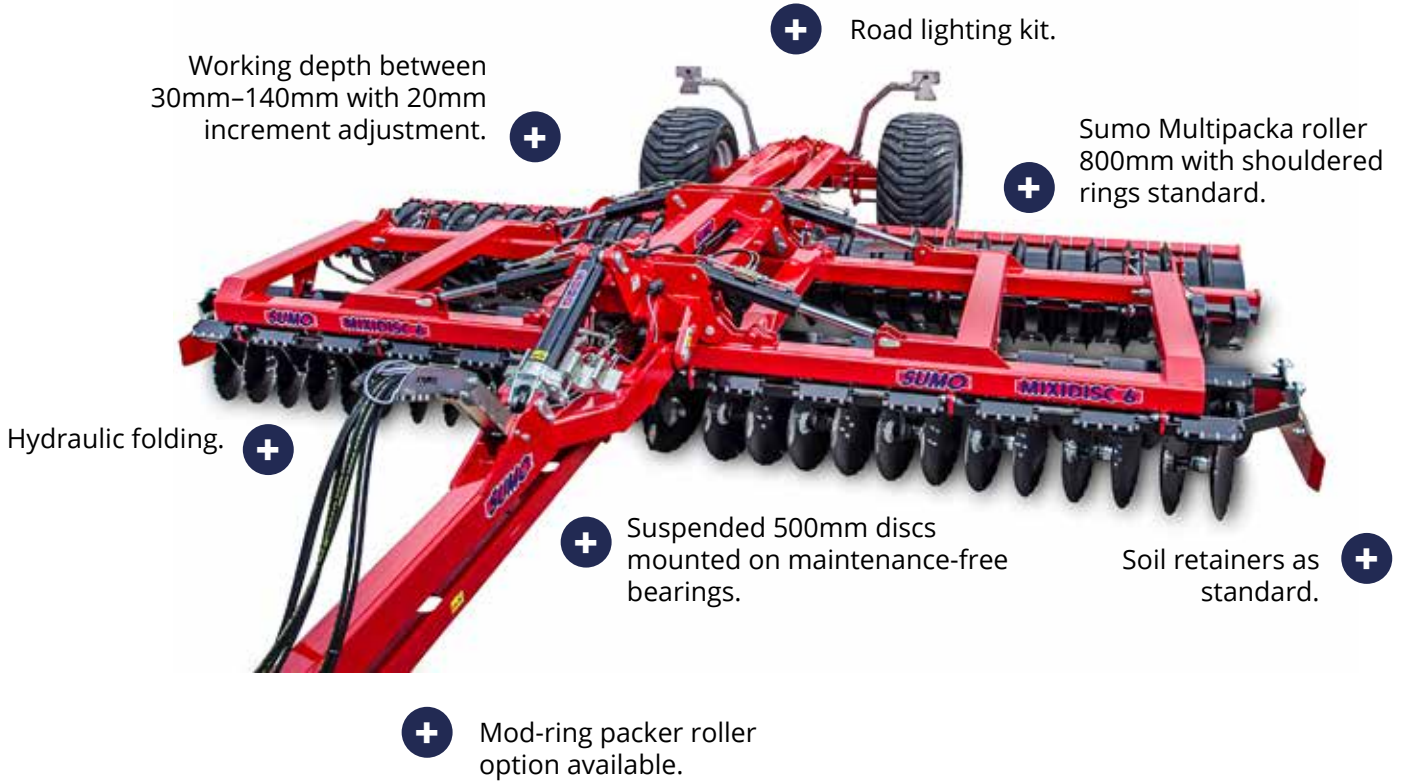
# Mixidisc

The Mixidisc is a high-speed multipurpose cultivator for tilling, levelling and incorporating large volumes of crop residue.

PRODUCT SPECIFICATION	MIXIDISC 3	MIXIDISC 4	MIXIDISC 5*	MIXIDISC 6*	MIXIDISC 7*
Code	MIX3	MIX4	TMIX5	TMIX6	TMIX7
Working Width	3.0m	4.0m	5.0m	6.0m	7.0m
Transport Width	3.0m	2.8m	3.0m	3.0m	3.0m
Discs	24	32	40	48	56
Discs Diameter	500mm	500mm	500mm	500mm	500mm
Disc Depth	30-100mm	30-100mm	30-100mm	30-100mm	30-100mm
Disc Adjustment	Manual	Manual	Manual	Manual	Manual
Type	Rigid	Hydraulic folding	Hydraulic folding	Hydraulic folding	Hydraulic folding
Weight	2010kg	3220kg	6860kg	7985kg	9005kg

\*TRAILED MACHINES ONLY

● Pictured: 6M Trailed Mixidisc.



<b>MIXIDISC OPTIONS</b>	SEEDER FITTING KIT RIGID FOR 3M	SEEDER FITTING KIT FOR 4M	SEEDER FITTING KIT FOR 5M/6M/7M	REAR DRAWBAR	3RD HYDRAULIC SERVICE REAR DRAWBAR	WHEEL ERADICATORS	AIR BRAKE KIT
Code	MIXRSFK	MIXFSFK	TMSFK	TMRD	TMHS	TMWE	TMABK
<b>PACKER OPTIONS</b>	MULTIPACKA	DIAMOND	TYRE	FLAT	SHARP	CHANNEL	ROLLER
Available	✓	✓	✗	✗	✓	✓	✓

# LDS

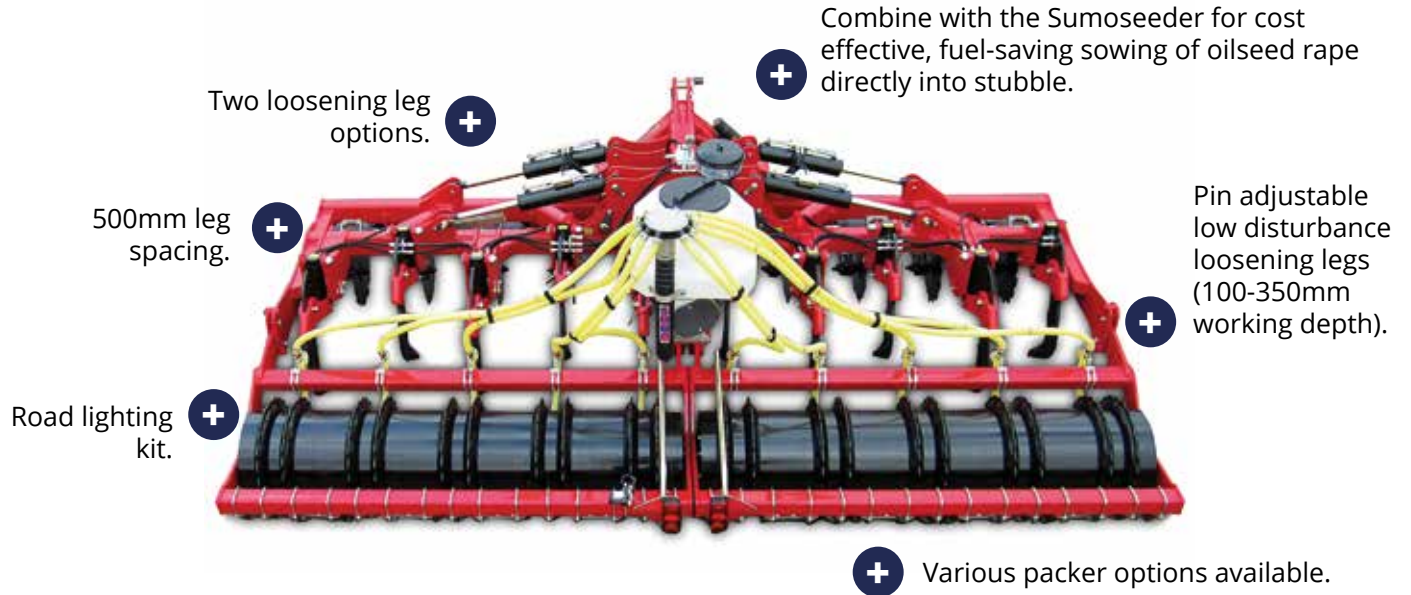
The Sumo Low Disturbance Subsoiler (LDS) alleviates compaction with minimal surface disturbance.

<b>PRODUCT SPECIFICATION</b>	<b>LDS 3 F</b>	<b>LDS 3 R</b>	<b>LDS 3 M</b>	<b>LDS 4 F</b>	<b>LDS 4 R</b>	<b>LDS 4 M</b>
Code	LDS3FAR	LDS3RAR	LDS3MAR	LDS4FAR	LDS4RAR	LDS4MAR
Working Width	3.0m	3.0m	3.0m	4.0m	4.0m	4.0m
Transport Width	3.1m	3.1m	3.1m	2.9m	2.9m	2.9m
Subsoiler Leg	6	6	6	8	8	8
Leg Spacing	500mm	500mm	500mm	500mm	500mm	500mm
Packer Type	Flat	Rings	Multipacka	Flat	Rings	Multipacka
Disc Diameter	500mm	500mm	500mm	500mm	500mm	500mm
Type	Rigid	Rigid	Rigid	Hydraulic folding	Hydraulic folding	Hydraulic folding
Weight	2170kg	2450kg	2450kg	3085kg	3315kg	3315kg
<b>PRODUCT SPECIFICATION</b>		<b>LDS 5 F</b>	<b>LDS 5 R</b>	<b>LDS 5 M</b>	<b>LDS5 M*</b>	<b>LDS6 M*</b>
Code		LDS5FAR	LDS5RAR	LDS5MAR	LDS5TM	LDS6TM
Working Width		5.0m	5.0m	5.0m	5.0m	6.0m
Transport Width		2.9m	2.9m	2.9m	2.9m	2.9m
Subsoiler Leg		10	10	10	10	12
Leg Spacing		500mm	500mm	500mm	500mm	500mm
Packer Type		Flat	Rings	Multipacka	Multipacka	Multipacka
Disc Diameter		500mm	500mm	500mm	500mm	500mm
Type		Hydraulic folding	Hydraulic folding	Hydraulic folding	Hydraulic folding	Hydraulic folding
Weight		3645kg	3990kg	3990kg	10300kg	11150kg

\*TRAILED MACHINES ONLY



● Pictured: 5M Mounted LDS with Sumoseeder.



**LDS OPTIONS**

	TRAILED SEEDER FITTING KIT	MOUNTED RIGID SEEDER FITTING KIT	MOUNTED RIGID SEEDER FITTING KIT
Code	TRFSFK	LDSRSFK	LDSFSFK

**PACKER OPTIONS**

	MULTIPACKA	DIAMOND	TYRE	FLAT	SHARP	CHANNEL	ROLLER
Available	✓	✓	✓	✓	✗	✗	✗

# GLS

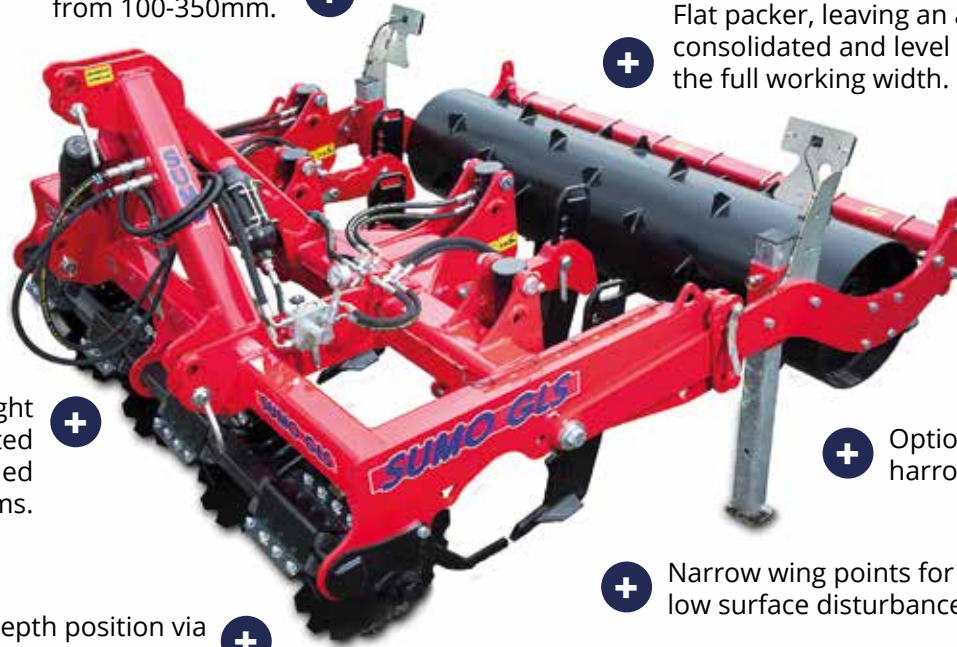
The Sumo Grassland Subsoiler (GLS) improves and revitalises compacted grassland that is suffering from the effects of continual rainfall, livestock and heavy machinery.

<b>PRODUCT SPECIFICATION</b>	<b>GLS 3 LEG A/R</b>	<b>GLS 4 LEG A/R</b>	<b>GLS 5 LEG A/R</b>
Code	GLS3AR	GLS4AR	GLS5AR
Working Width	2.3m	2.3m	2.8m
Transport Width	2.5m	2.5m	2.9m
Subsoiler Leg	3	4	5
Leg Spacing	833mm	580mm	580mm
Leg Depth	100-350mm	100-350mm	100-350mm
Type	Rigid	Rigid	Rigid
Weight	1490kg	1625kg	1875kg

● Pictured: 4-Leg GLS.

Pin adjustable depth control from 100-350mm. **+**

**+** Flat packer, leaving an aerated, consolidated and level finish across the full working width.



Leading row of straight serrated discs mounted on individually suspended arms. **+**

**+** Optional following harrow.

Adjustable depth position via a one-bolt system. **+**

**+** Narrow wing points for low surface disturbance.

**+** Low draught auto-reset legs.

**GLS OPTIONS**

	FOLLOWING HARROW 3&4 LEG*	FOLLOWING HARROW 5 LEG*	SEEDER FITTING KIT
Code	FH4	FH5	GLSSFK
			*WHEN ORDERED WITH MACHINE.

**PACKER OPTIONS**

	MULTIPACKA	DIAMOND	TYRE	FLAT	SHARP	CHANNEL	ROLLER
Available	✗	✗	✗	✓	✗	✗	✗

# Subsoiler

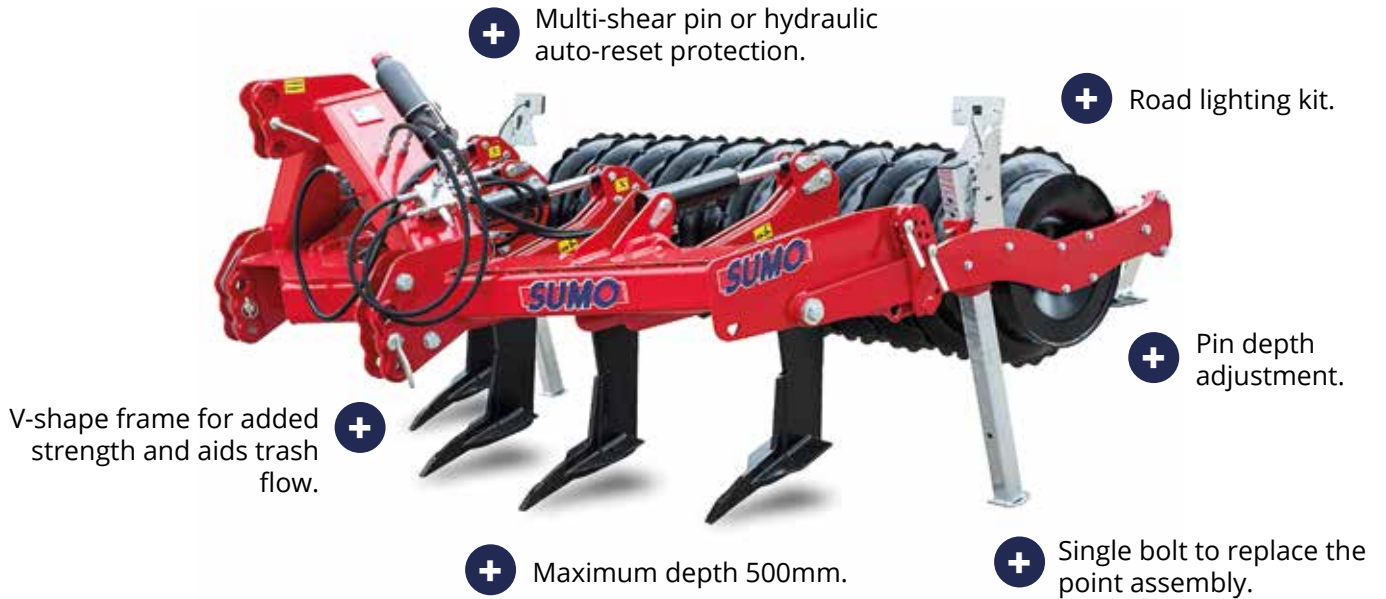
The Sumo Subsoiler is a heavy duty, robust machine which enables the loosening and consolidation of compact soil conditions.

<b>PRODUCT SPECIFICATION</b>	<b>SUBSOILER 3</b> S/P	<b>SUBSOILER 3</b> A/R	<b>SUBSOILER 4</b> S/P	<b>SUBSOILER 4</b> A/R	<b>SUBSOILER 5</b> S/P	<b>SUBSOILER 5</b> A/R
Code	S3SP	S3AR	S4SP	S4AR	S5SP	S5AR
Working width	2.7m	2.7m	2.8m	2.8m	3.4m	3.4m
Transport width	3.0m	3.0m	3.0m	3.0m	3.6m	3.6m
Subsoiler leg	3	3	4	4	5	5
Leg spacing	900mm	900mm	650mm	650mm	650mm	650mm
Leg depth	0-500mm	0-500mm	0-500mm	0-500mm	0-500mm	0-500mm
Type	Rigid	Rigid	Rigid	Rigid	Rigid	Rigid
Weight	2200kg	2480kg	2360kg	2575kg	3000kg	3250kg

<b>PRODUCT SPECIFICATION</b>	<b>SUBSOILER 7</b> S/P	<b>SUBSOILER 7</b> A/R	<b>SUBSOILER 9</b> S/P	<b>SUBSOILER 9</b> A/R
Code	SF7SP	SF7AR	SF9SP	SF9AR
Working width	4.7m	4.7m	5.9m	5.9m
Transport width	2.9m	2.9m	2.9m	2.9m
Subsoiler leg	7	7	9	9
Leg spacing	650mm	650mm	650mm	650mm
Leg depth	0-500mm	0-500mm	0-500mm	0-500mm
Type	Hydraulic folding	Hydraulic folding	Hydraulic folding	Hydraulic folding
Weight	7200kg	8010kg	8250kg	8820kg

● Pictured: Mounted 4-Leg auto-reset Subsoiler.



**SUBSOILER OPTIONS**

	SEEDER FITTING KIT TRAILED	SEEDER FITTING KIT MOUNTED	STRAIGHT LEADING DISC EACH (28.5KG)*
Code	SFSFK	SSFK	SLDTS

\*TRAILED MACHINES ONLY

**PACKER OPTIONS**

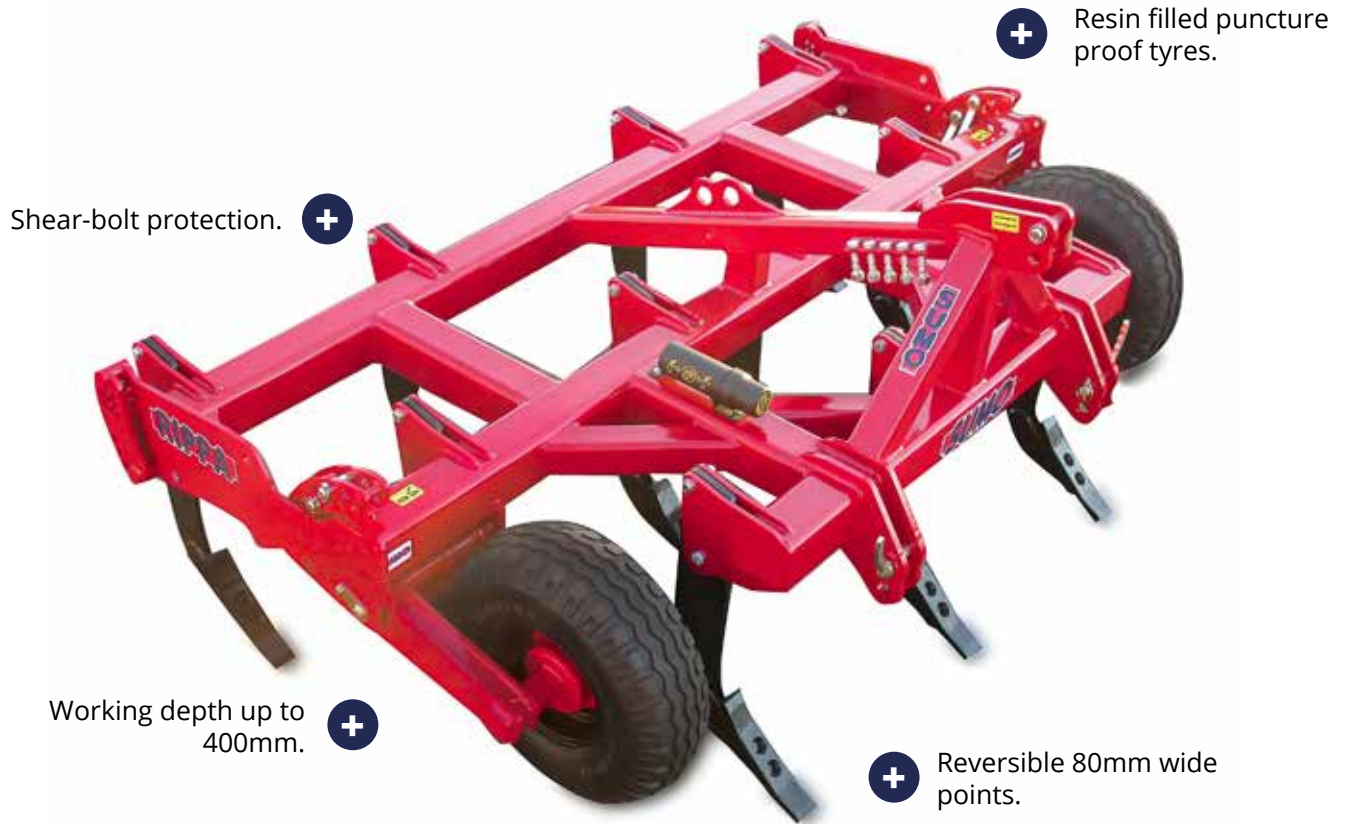
	MULTIPACKA	DIAMOND	TYRE	FLAT	SHARP	CHANNEL	ROLLER
Available	✓	✓	✗	✗	✗	✗	✗

# Rippa

The Sumo Rippa is a heavy-duty deep cultivation tool to rip up the land, aiding aeration of the soil.

<b>PRODUCT SPECIFICATION</b>	<b>RIPPA 3M</b>	<b>RIPPA 6M FOLDING</b>
Code	R3	R6F
Working Width	3.0m	6.0m
Transport Width	3.0m	3.0m
Legs	11	23
Leg spacing	270mm	270mm
Leg depth	400mm	400mm
Leg length	700mm	700mm
Type	Rigid	Hydraulic folding
Leg length	1425kg	3240kg











# Strake

The Sumo Strake is a high-speed straw rake used for creating a stale seed bed. An essential machine for effective use of minimum tilling and direct drilling.

<b>PRODUCT SPECIFICATION</b>	<b>STRAKE 6</b>	<b>STRAKE 8</b>	<b>STRAKE 12</b>
Code	S6	S8	S12
Working width	6.1m	8.1m	12.1m
Transport width	2.5m	2.5m	3.0m
Tines	80	107	160
Tine spacing	75mm	75mm	75mm
Type	Hydraulic folding	Hydraulic folding	Hydraulic folding
Weight	2435kg	3100kg	7950kg

Hydraulically adjustable  
tine angle. +

Reduces slug population by  
mixing crop residue with soil. +

+ Even distribution of harvest  
residue.



Retractable alternate rows of  
tines for working in heavy or  
damp straw, enabling either  
75mm or 150mm tine spacing. +

+ 15mm tungsten carbide  
tips fitted to heavy duty  
spring tines.

+ 75mm or 150mm  
tine spacing.

# DTS

The Sumo Deep Tillage Seeder (DTS) is an exceptionally versatile drilling system, giving the user the option to direct drill into stubble, minimum tillage or plough based systems.

PRODUCT SPECIFICATION	DTS 3	DTS 4	DTS 5	DTS 6	DTS 8	DTS 9
Code	DTS3	DTS4	DTS5	DTS6	DTS8	DTS9
Working width	3.0m	4.0m	5.0m	6.0m	8.0m	9.0m
Transport width	3.0m	2.8m	2.8m	2.8m	2.9m	2.9m
Total hopper capacity (litres)	1900	3000	3000	3600	3600	3600
Row spacing (mm)	333	333	333	333	333	346
Rows	9	12	15	18	24	26
Half Width Shut Off	No	No	No	Yes	Yes	Yes
Double Seed Row	Standard	Standard	Standard	Standard	Standard	Standard
Seed Row Width	120mm	120mm	120mm	120mm	120mm	120mm
Loosening Legs	9	12	15	18	24	26
Loosening Leg Spacing	333	333	333	333	333	346
Roller	Tyre	Tyre	Tyre	Tyre	Tyre	Tyre
Camera	2	2	2	2	2	2
Lights	Standard	Standard	Standard	Standard	Standard	Standard
Markers	Optional	Optional	Optional	Optional	-	-
Type	Mounted	Trailed	Trailed	Trailed	Trailed	Trailed
Weight	3280kg	6600kg	8065kg	9550kg	11135kg	12675kg
Tyre Size	-	560/45-22.5	560/45-22.5	620/40-22.5	710/35-22.5	710/35-22.5





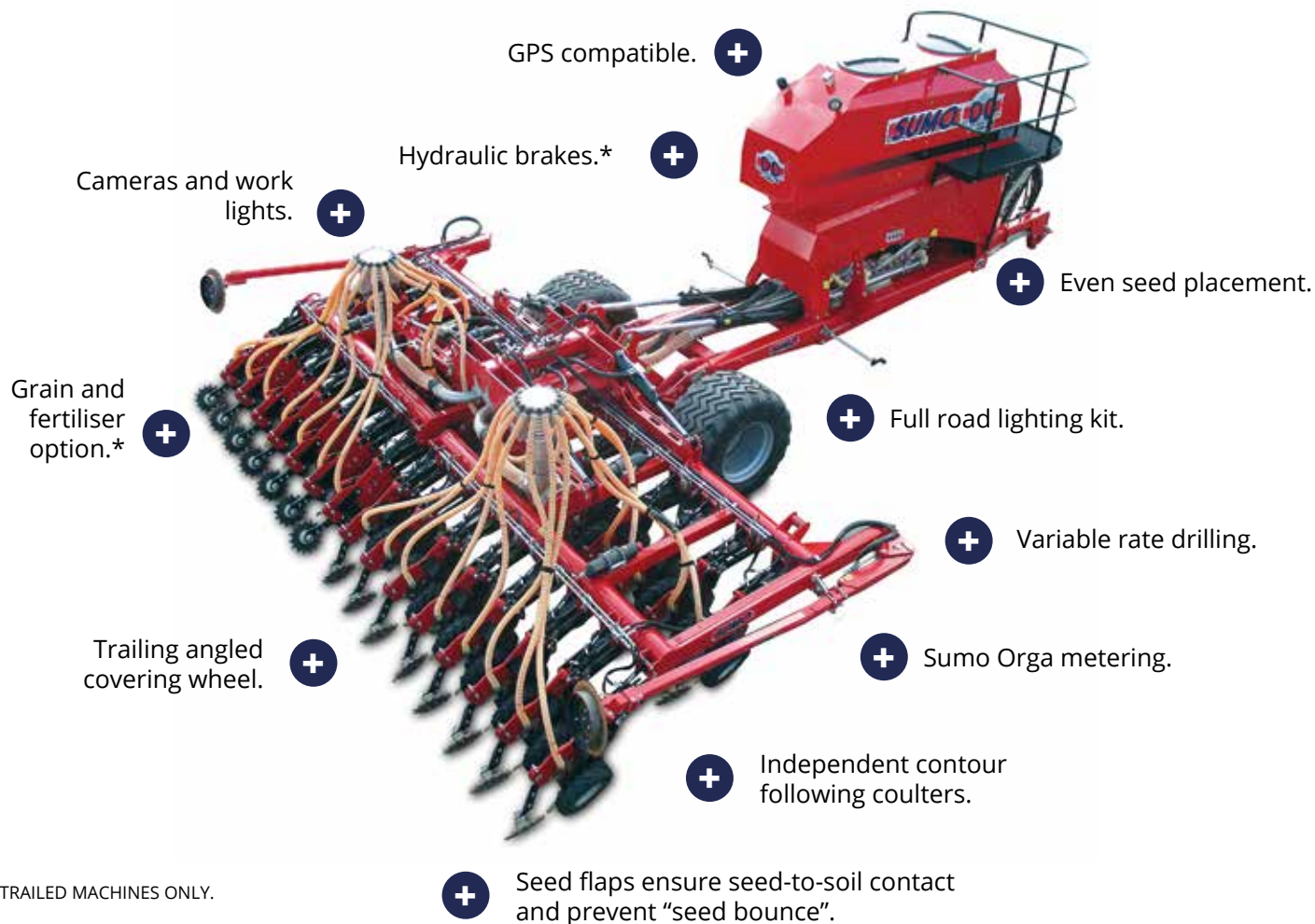
\*TRAILED MACHINES ONLY.

<b>DTS OPTIONS</b>	AIR BRAKE KIT	HYDRAULIC PARK STAND	MARKERS (UP TO 6M ONLY)	TRAMLINES GRAIN ONLY	GRAIN & FERT OPTION (4M & 5M)	GRAIN & FERT OPTION (6M, 8M & 9M)	TRAMLINES G&F	DTS MOUNTED WEIGHT TRANSFER KIT
Code	DTSABK	DTSHPS	DTSDM	DTSTGO	DTSGF45	DTSGF689	DTSTGF	DTSWT

# DD

The Sumo Direct Drill (DD) is the essential tool for zero-till, for crop establishment where seed placement is required with minimal soil disturbance.

<b>PRODUCT SPECIFICATION</b>	<b>DD 3</b>	<b>DD 4</b>	<b>DD 5</b>	<b>DD 6</b>	<b>DD 8</b>	<b>DD 9</b>
Code	DD3	DD4	DD5	DD6	DD8	DD9
Working Width	3.0m	4.0m	5.0m	6.0m	8.0m	9.0m
Transport Width	3.0m	2.8m	2.8m	2.9m	2.9m	2.9m
Total Hopper Capacity (litres)	1900	3000	3000	3600	3600	3600
Row Spacing (mm)	187.5	200	208	200	200	200
Rows	16	20	24	30	40	45
Half Width Shut Off	No	No	No	Yes	Yes	Yes
Double Seed Row	Standard	Standard	Standard	Standard	Standard	Standard
Seed Row Width	187.5	200	208	200	200	200
Camera	2	2	2	2	2	2
Lights	Standard	Standard	Standard	Standard	Standard	Standard
Markers	Optional	Optional	Optional	Optional	-	-
Type	Mounted	Trailed	Trailed	Trailed	Trailed	Trailed
Weight	2700kg	6785kg	7800kg	9050kg	10330kg	11450kg
Tyre Size	-	560/45-22.5	560/45-22.5	620/40-22.5	710/35-22.5	710/35-22.5



\*TRAILED MACHINES ONLY.

<b>DD OPTIONS</b>	GRAIN & FERT OPTION (4M & 5M)	GRAIN & FERT OPTION (6M, 8M & 9M)	AIR BRAKE KIT*	HYDRAULIC PARK STAND*	MARKERS (UP TO 6M ONLY)	TRAMLINE 4 ROWS (MOUNTED)	TRAMLINE 4 ROWS (TRAILED)	DD MOUNTED WEIGHT TRANSFER KIT
Code	DDGF45	DDGF689	DDABK	DDHPS	DDM	DDMTM	DDTT	DDWT

# Toolbar Systems

The Sumo Toolbar systems have been developed to provide the user with a flexible solution to their crop establishment needs.

<b>PRODUCT SPECIFICATION</b>	<b>DTS 3 TOOLBAR</b>	<b>DTS 4 TOOLBAR</b>	<b>DD 3 TOOLBAR</b>	<b>DD 4 TOOLBAR</b>
Code	DTS3T	DTS4TF	DD3T	DD4T
Working Width	3.0m	4.0m	3.0m	4.0m
Transport Width	3.0m	2.8m	3.0m	2.8m
Row Spacing (mm)	333	333	187.5	200
Rows	9	12	16	20
Type	Rigid	Hydraulic folding	Rigid	Hydraulic folding
Weight	2890kg	3995kg	2670kg	3920kg

**DTS TOOLBAR**



Seed flaps ensure seed-to-soil contact and prevent "seed bounce".



Covering discs ensure seed to soil contact.



Trailing angled seed covering wheel.



**DD TOOLBAR**

- Full road lighting kit.
- Independent contour following coulters.
- Even seed placement.
- Variable rate drilling.
- Paired with Sumo Front Hopper making the ideal drilling system.

**TOOLBAR OPTIONS**

	DTS TOOLBAR WEIGHT TRANSFER	DTS HYDRAULIC MARKERS	DTS TRAMLINES 2 ROWS (MOUNTED)	DD TOOLBAR WEIGHT TRANSFER	DD HYDRAULIC MARKERS	DD TRAMLINES 2 ROWS (MOUNTED)
Code	DTSTWT	DTSTM	DTSTT	DDTWT	DDTM	DDTT

# Front Hopper


The Sumo Front Hopper compliments any rear-mounted implement.




PRODUCT SPECIFICATION	FRONT HOPPER ONLY	SIDE TRANSFER PIPE	UPSTACK (12 X38MM OUTLETS)	TRAMLINE SHUT OFF (PAIR)
Code	FH	FHTPT	FHU	FHTSO
Capacity (litres)	1900	-	-	-
Seed Rate	1-350kg	-	-	-
Lights	Yes	-	-	-
Weight	850kg	-	-	-


# Multipacka

The Sumo Front Multipacka is the perfect addition to your conventional cultivation and drilling system.

800mm roller with  
scrapers. 

 Steering headstock.

 Water ballast packer  
roller if extra weight  
is required.

Option of front leading tines (as  
shown) or hydraulically-operated  
levelling paddles. 



PRODUCT SPECIFICATION	FRONT MULTIPACKA 3M	FRONT MULTIPACKA 4M RIGID	FRONT MULTIPACKA 4M FOLDING	3M LEVELLING PADDLES	4M LEVELLING PADDLES	SINGLE RIGID TINE ASSEMBLY
Code	FM3T	FM4T	FM4F	FMPA	FMPA4	FMSTA
Type	Rigid	Rigid	Hydraulic folding	Hydraulic folding	Hydraulic folding	Hydraulic folding
Weight	1350kg	1590kg	2150kg	1570kg	2464kg	1550kg





# Options and Extras

# Front Weight

The Sumo Front Weight is the ideal multifunctional addition to your tractor.



PRODUCT SPECIFICATION	FRONT WEIGHT 1000KG	FRONT WEIGHT 1500KG	FRONT WEIGHT 2000KG	FRONT WEIGHT 2500KG	ALTERNATIVE COLOUR
Code	FW1	FW1.5	FW2	FW2.5	FWAC

# LMD

The Sumo Linkage Mounted Drawbar (LMD) increases the manoeuvrability of trailed machines. Perfect for both Sumo and non-Sumo products.



## PRODUCT SPECIFICATION

	LMD	SPOON COUPLING (TT/QUAT/MIXI/MULTI ETC)	SPOON COUPLING (DD/DTS)	SPOON COUPLING (WELD ON)
Code	TMLMD	SWB186	SW3201	SW811

# Trailing Kit

The Sumo Trailing Kit is to fit pre-2012 models of the Mounted Trio, transforming it into a trailed machine.



## TRAILING KIT OPTIONS

TRAILING KIT OPTIONS	SEEDER FITTING KIT	TRIO 3M & 3.5M TRAILING KIT	FRONT DISCS FOR TRIO TRAILING KIT
Code	MTSFK	TKIT	FDTKIT

# Sumoseeder

The Sumoseeder is the perfect addition to your cultivator.



## PRODUCT SPECIFICATION

	STANDARD 6 OUTLEET SEEDER (NO FITTING KIT)	ADDITIONAL OUTLET (MAX.12)
Code	SS	SSOK
Seed Rate Range	1-30kg/ha*	-
Weight	80kg (including pallet)	-

\* BASED ON A 3M 6-ROW MACHINE.

# SDO

The Sumo Single Disc Opener (SDO) is a great way to enhance your cultivation machine, ideal for drilling oilseed rape at an accurate and consistent depth.



## PRODUCT SPECIFICATION

## SINGLE UNIT SDO

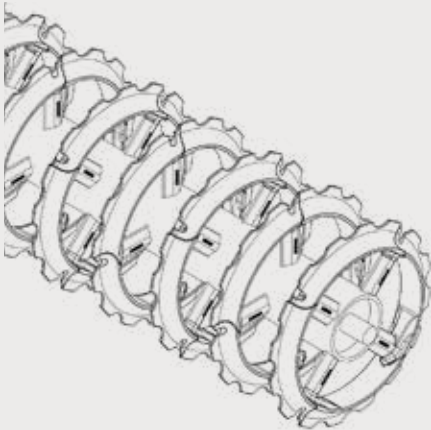
Code	SDO
Weight	47kg

# Packer Options

The Sumo modular ring packer can be fitted to your Sumo machine, providing the user with a selection of ring options to suit a variety working conditions.

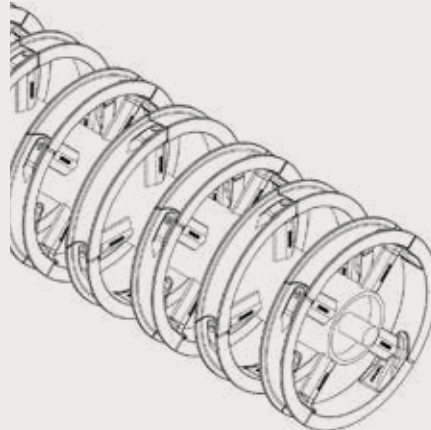
- Bolt-on segments allows ease of replacement and options to change.
- Spoked design to allow soil to flow ensuring a good levelling effect.

## Choose from multiple ring options:



### Sharp

Suitable for heavy soils to slice and crack clods.



### Channel

Suitable for shallow cultivating and soil to soil consolidation.



### Roller

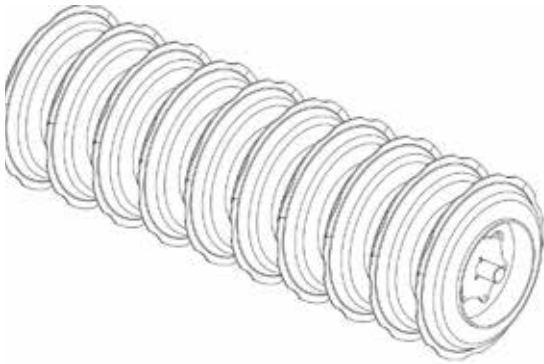
Suitable for intensive consolidation on varying soil types.



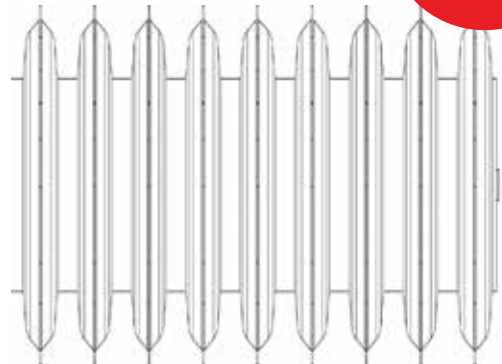
## Diamond

Maximum consolidation to depth whilst leaving a weatherproof finish.

New for  
2018!



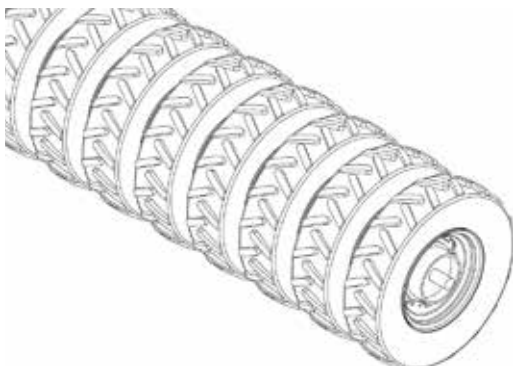
• Side View



• Front View

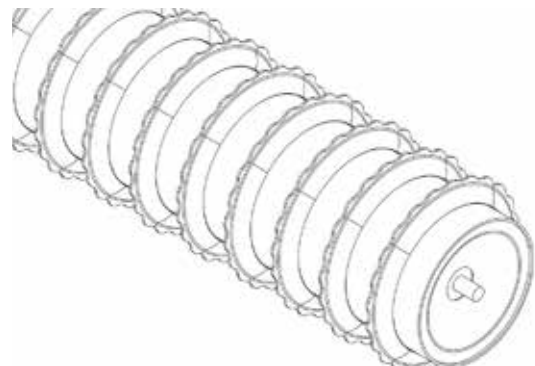
## Tyre

Concentrated consolidation across the full width of the machine.



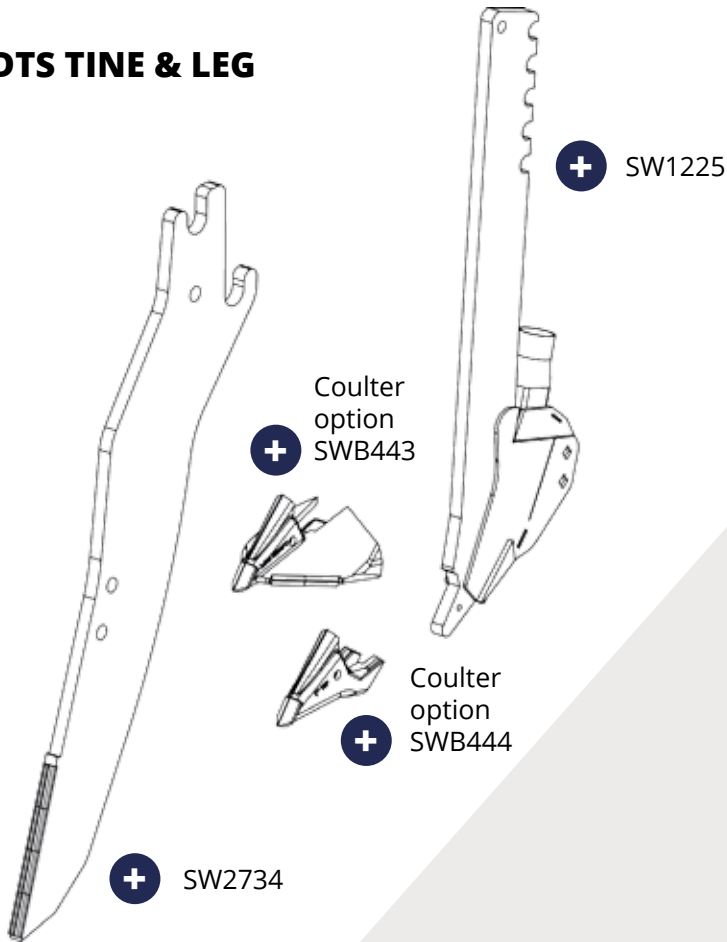
## Multipacka

Versatile option, providing even consolidation of soil.

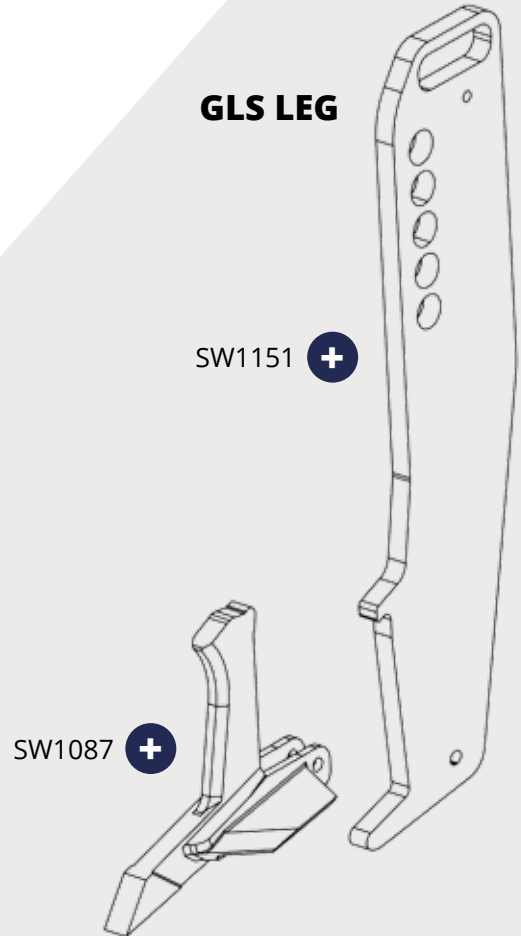


# Wearing Metal Options

## DTS TINE & LEG

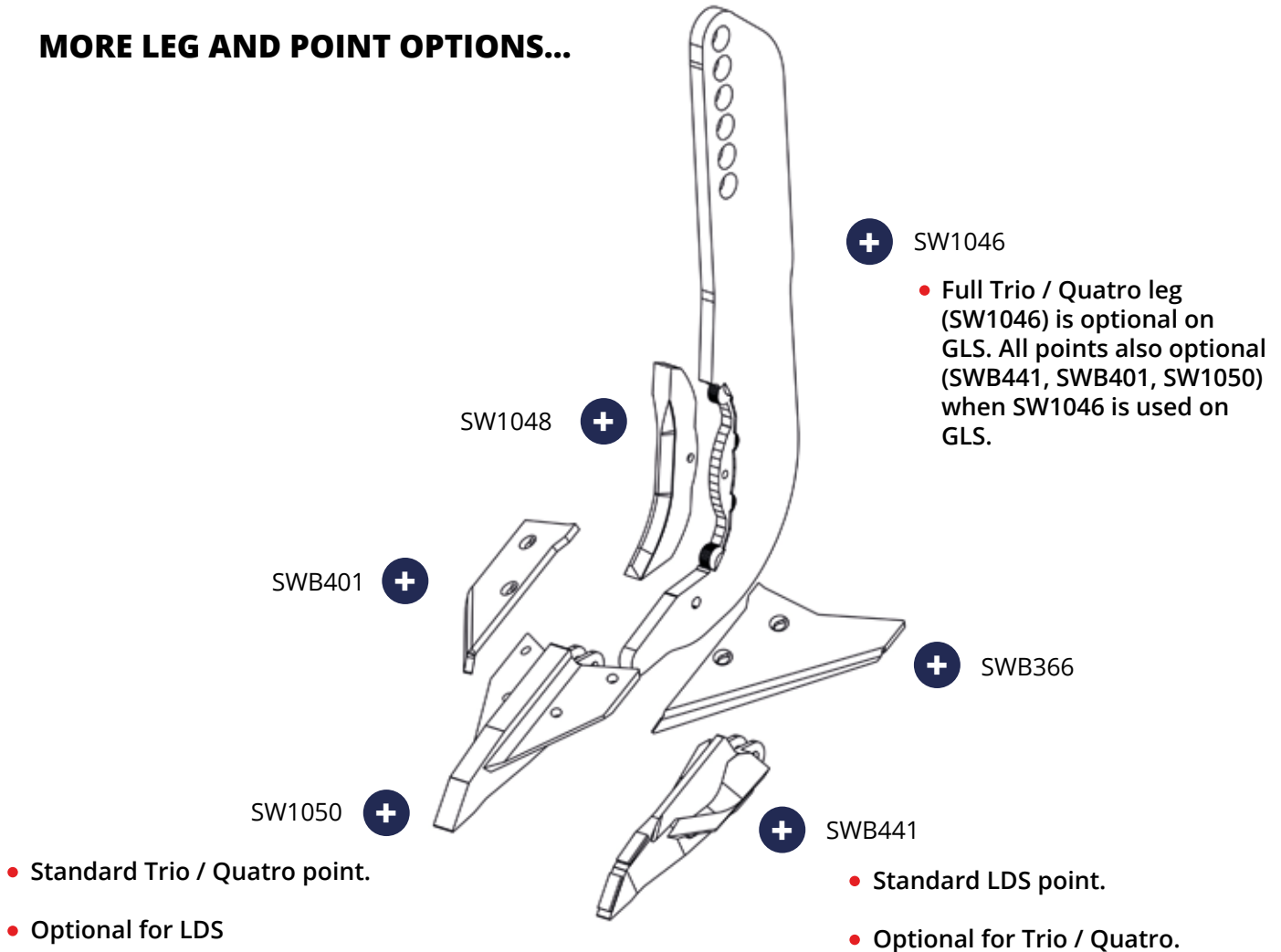


## GLS LEG



# Wearing Metal Options

## MORE LEG AND POINT OPTIONS...





## To make an enquiry please contact:

Sumo UK Ltd.  
Redgates, Melbourne, York, YO42 4RG  
United Kingdom

 **+44 (0) 1759 319900**

**sales@sumo1.com**

**www.sumo1.com**

