



## ACP (CONCRETE) LIMITED

### HIGH QUALITY PRESTRESS CONCRETE PANELS

- ◆ **Designed** to Eurocode 2 and BS5502 Part 22. All panels CE Marked.
- ◆ **Interlocking** horizontal units.
- ◆ **High strength.**
- ◆ **Low cost.**
- ◆ **Quick and easy to install.**
- ◆ **“Foundation free”** means that installation is not affected by the prevailing weather conditions.
- ◆ **Made to measure** lengths up to 20' (6.085m).
- ◆ **Single or Double loading** for internal division walls.
- ◆ **Smooth hard wearing** surface makes cleaning out buildings a simple process.
- ◆ **Various fixing options** - allow panels to fit on the inside face or between the webs of the steel columns.
- ◆ **Off site production** - Panels arrive on site ready to use, no curing time required.
- ◆ **Other applications** include GP buildings, machinery sheds, workshops and warehouse/packing buildings.

**BRITISH  
PRECAST**

# General Walling



Horizontal panels fixed to the inside face of building columns using a simple clip system.

Panels can be fitted to the column face or between the webs to maximise available space - it's up to you.



Cubicles or loose housing, ACP Panels provide the ultimate walling system.

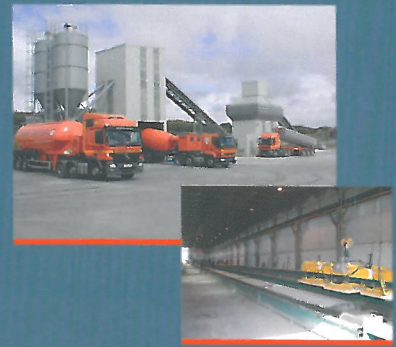


Narrow panels 500mm or 600mm high are often used for feed barriers.

## A QUALITY PRODUCT

ACP prestressed concrete panels are manufactured to the highest quality standards in factory controlled conditions.

Quality precast concrete products demand high quality raw materials. Our concrete is mixed on site in a 'state of the art' 80m<sup>3</sup>/hour batching plant. Quality control runs right back to the quarry with our parent company, the Thomas Armstrong Group, supplying all the bulk components of the mix.



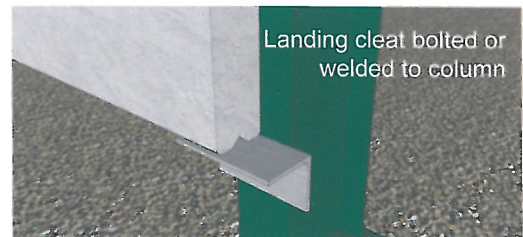
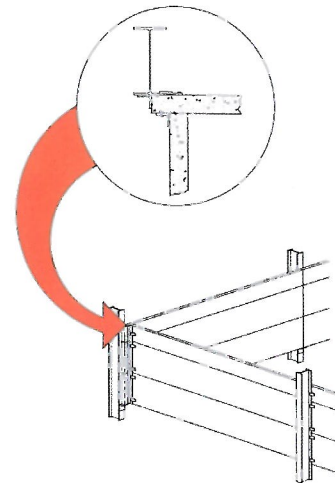
## INSTALLATION & TECHNICAL SPECIFICATION

### HORIZONTAL PANELS Foundation free walls

ACP horizontal panels are quick and easy to install. The panels are fixed to steel columns using bolts and plates supplied (see diagram). Panels can be supported either on the concrete floor or alternatively on landing cleats bolted or welded to the steel columns. No foundations are required and the simple installation means panels can be quickly dismantled for use on another location or refigured to meet changing circumstances. The tongue and groove joint allows the units to fit together in combination to give the required wall height.

The high exterior quality of the panels provides a smooth durable wall that is easy to clean and resists damage caused by high pressure hoses.

Polyurethane joint sealant is applied to give a water tight seal. Used as a dividing wall, double loading panels can be fitted between the column webs.



### DIMENSIONS

|              |   |
|--------------|---|
| Thickness    | 95mm  |
| Width (Half) | 500mm, 600mm  |
| (Full)       | 1000mm, 1100mm, 1200mm, 1500mm  |
| Length       | Any length up to approx. 7m. Stock lengths to suit bay sizes of 4.572m (15') and 6.096m (20') |

For more information please visit our website



**ACP (Concrete) Limited**  
Prestressed Concrete Panel Division  
Wood Lane Business Centre, Wood Lane, Uttoxeter  
Staffordshire, ST14 8JR  
Tel: 01889 598660 Fax: 01889 568160  
[www.acp-concrete.co.uk](http://www.acp-concrete.co.uk)

ACP (Concrete) Limited is part of the Thomas Armstrong Group