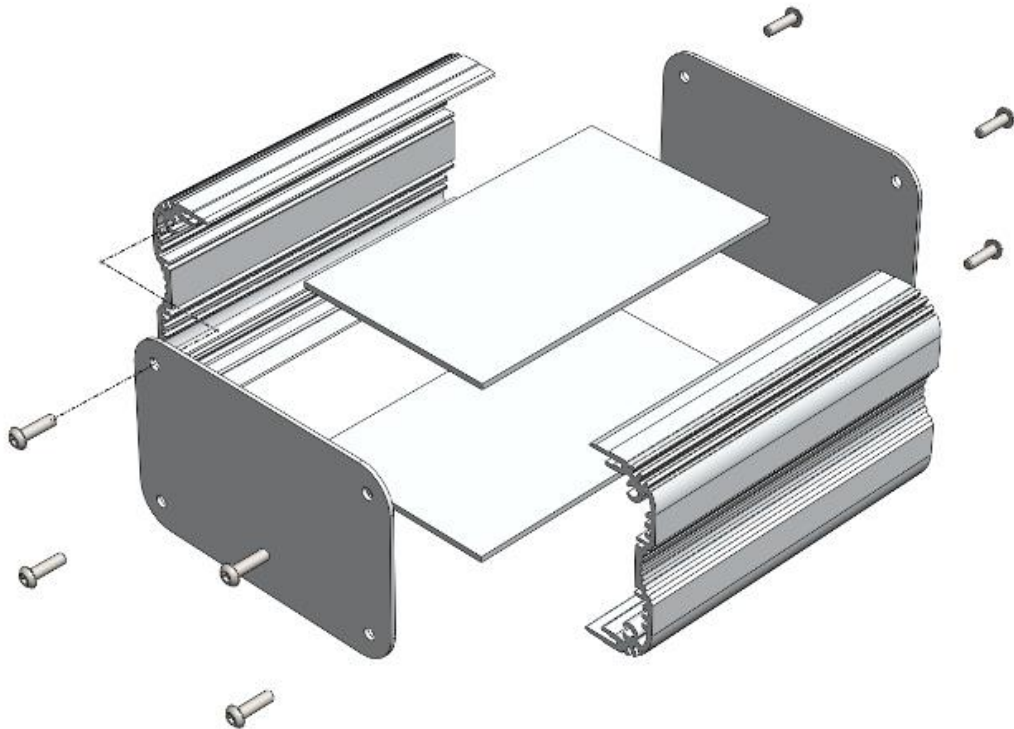


## UnioBox66

Silver or black anodized combination **extruded and sheet aluminium box** to take circuit boards of width 100mm, 128mm, 160mm and 220mm and length 80mm, 120mm, 160mm and 220mm.

The box comprises a pair of extruded aluminium sides of height 66mm which accept an aluminium top and bottom plate to form a box section. Front and rear plates are fixed into the side extrusions using self tapping screws to form the enclosure and retain the top and bottom plates. The maximum height of components on a board mounted in the bottom slot is 45mm.

The box features plenty of height relative to its width and is suitable for higher components like transformers, or will have space for pcb mounted daughter boards or additional boards mounted in the extra slots. The outside of the box features a decorative ribbed pattern which is a UK registered design.



**Length Tolerance of extrusion:** Nominal length  $\pm 0.3\text{mm}$  e.g. U66S160 is not shorter than 159.7mm and not longer than 160.3mm.

**Non-Standard Sizes:** Available.

**Material of extrusion:** Aluminium 6063 T6 (HE9), silver anodized  $5\mu\text{m}$  or black anodized  $15\mu\text{m}$  to BS1615. Linear weight is 0.80 kg/m

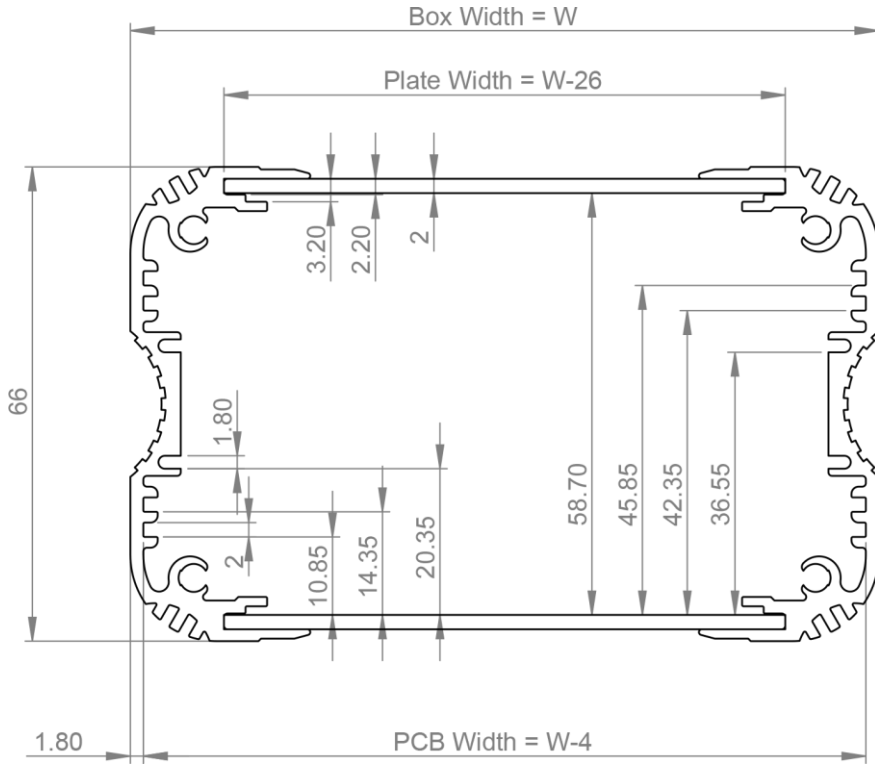
**Material of end plate:** Aluminium 5251 H22 sheet 1.5mm thick clear anodized  $5\mu\text{m}$  or 1.5mm thick black anodized  $15\mu\text{m}$ .

**Material of top/bottom plate:** Aluminium 5251 H22 sheet 2mm thick clear anodized  $5\mu\text{m}$  or black anodized  $15\mu\text{m}$ .

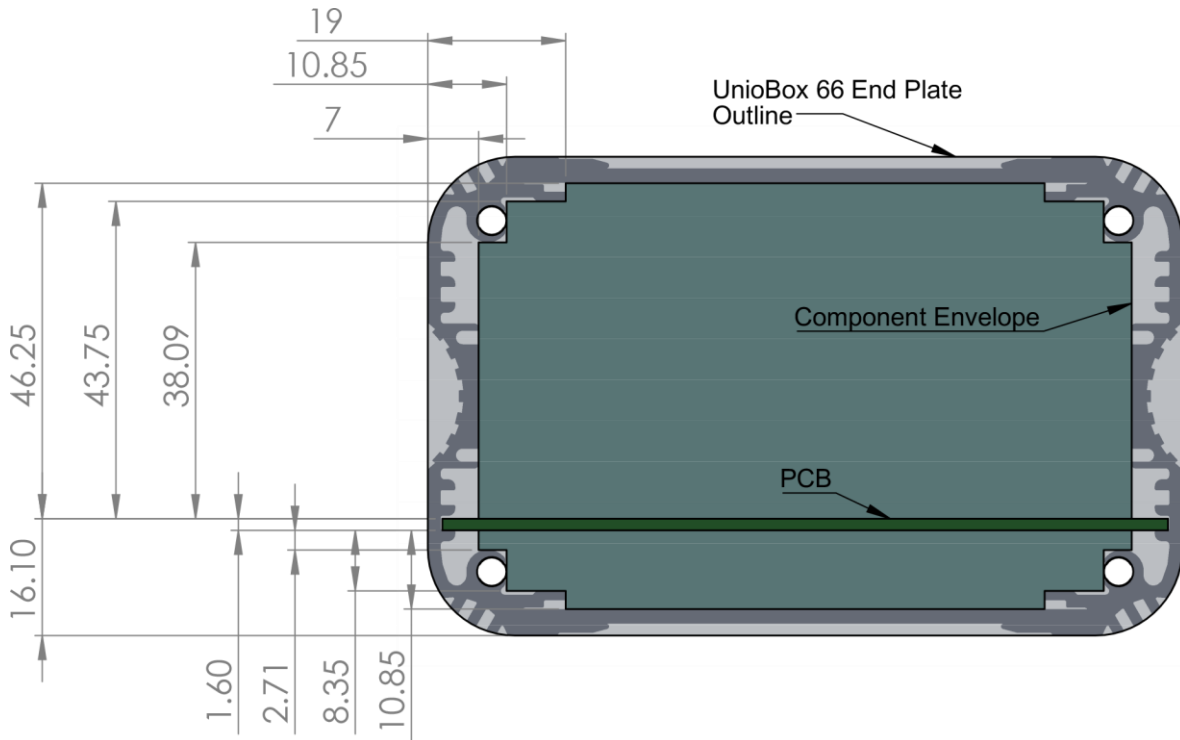
**Screw ports:** Nominal diameter 3.6mm to take a No.8 self tapping screw with a 4.2mm major diameter of a type normally used for plastic. The screw ports can be threaded M4 using a thread-rolling tap, but a thread cutting tap will make a weak thread. Alternatively an M4 thread-forming screw can be used to roll its own thread.

Lincoln Binns Ltd. Oakendene Estate, Cowfold, West Sussex RH13 8AZ, UK  
Tel: +44 (0)1403 865486 Fax: +44 (0)1403 865487. Website: [www.lincolnbins.com](http://www.lincolnbins.com)

**UnioBox66 Dimensions:**



**UnioBox66 Envelope Drawing**



**UnioBox66 Order Codes:**

PCB size mm	Box Width	Extrusion Length	Order Code Black	Order Code Silver
100 x 80	104	80	U66B-104x080	U66S-104x080
100 x 120	104	120	U66B-104x120	U66S-104x120
100 x 160	104	160	U66B-104x160	U66S-104x160
100 x 220	104	220	U66B-104x220	U66S-104x220
128 x 80	132	80	U66B-132x080	U66S-132x080
128 x 120	132	120	U66B-132x120	U66S-132x120
128 x 160	132	160	U66B-132x160	U66S-132x160
128 x 220	132	220	U66B-132x220	U66S-132x220
160 x 80	164	80	U66B-164x080	U66S-164x080
160 x 120	164	120	U66B-164x120	U66S-164x120
160 x 160	164	160	U66B-164x160	U66S-164x160
160 x 220	164	220	U66B-164x220	U66S-164x220
220 x 80	224	80	U66B-224x080	U66S-224x080
220 x 120	224	120	U66B-224x120	U66S-224x120
220 x 160	224	160	U66B-224x160	U66S-224x160

**Box comprises****(all items silver or black):**

2 x End plates, Top Plate and Bottom Plate, 2 x UnioBox extrusion, 8 x screws.

Screws – 4.2mm x 13 TORX pan head self-tapping screws type AB:

**Accessories**

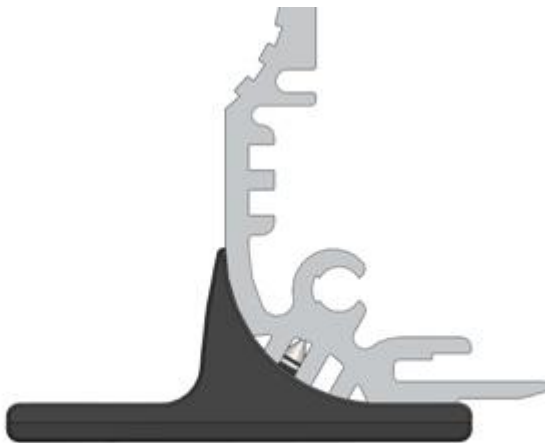
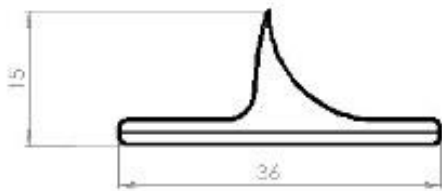
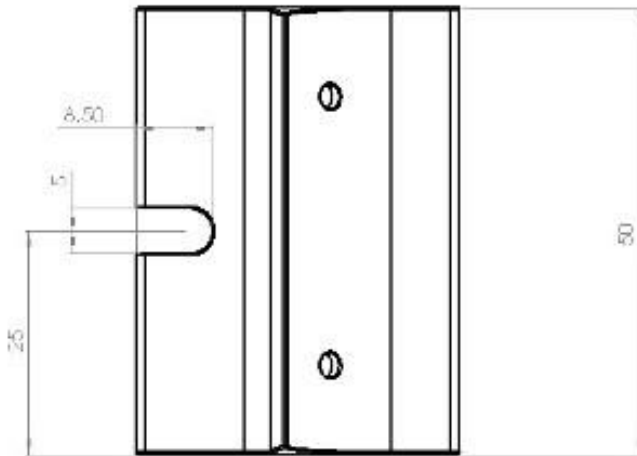
Natural aluminium carrier plates the same size as standard circuit boards to slide in the enclosures and be adapted to carry non-standard circuit boards and other fittings. These are simple rectangles of aluminium sheet 1.5mm thick for internal use (i.e. surface finish may not be perfect). Custom carrier plates can also be supplied.

Carrier size mm	Order Code
100 x 80	CN-100080
100 x 120	CN-100120
100 x 160	CN-100160
100 x 220	CN-100220
128 x 80	CN-128080
128 x 120	CN-128120
128 x 160	CN-128160
128 x 220	CN-128220
160 x 80	CN-160080
160 x 120	CN-160120
160 x 160	CN-160160
160 x 220	CN-160220
220 x 80	CN-220080
220 x 120	CN-220120

CN-160220 can be used lengthways or sideways.

**Accessories contd.**

Universal Uniobox mounting lug length 50mm in black ABS plastic. **Order Code: UBL50.** Two are required (one each side) for the 80mm long enclosure and either two or four for longer enclosures as desired. The lug fits round the curve of the Uniobox extrusion and is fixed into the decorative fin feature by two concealed self-tapping screws. It weighs 8g.



TORX™ is a trademark of Textron Inc. Product and data subject to change without notice. User knows application and must determine fitness for purpose and appropriateness of advice verbal or written. See terms and conditions of sale. © Lincoln Binns Ltd. 2010.

Lincoln Binns Ltd. Oakendene Estate, Cowfold, West Sussex RH13 8AZ, UK  
Tel: +44 (0)1403 865486 Fax: +44 (0)1403 865487. Website: [www.lincolnbins.com](http://www.lincolnbins.com)