



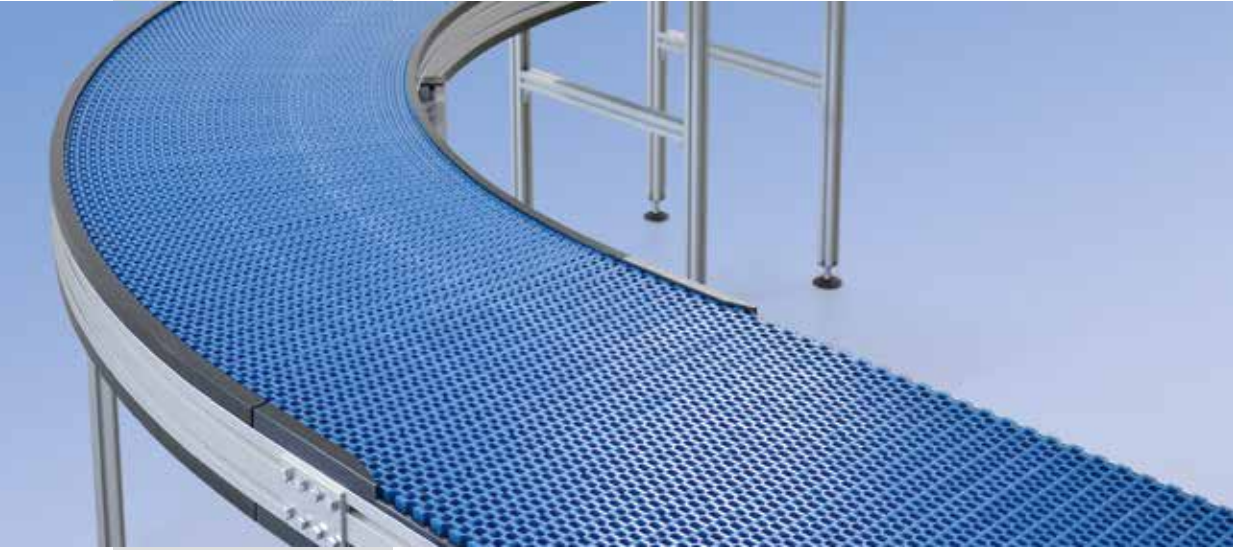
Curved modular
belt conveyor
KMF-P 2040



Efficiently handle any route



Curved modular belt conveyor KMF-P 2040

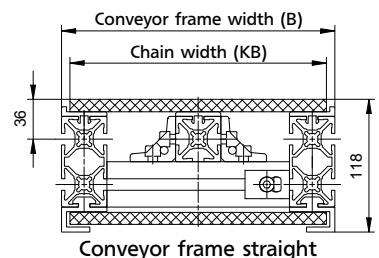
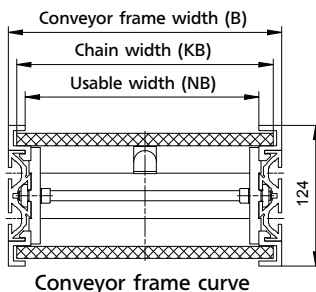


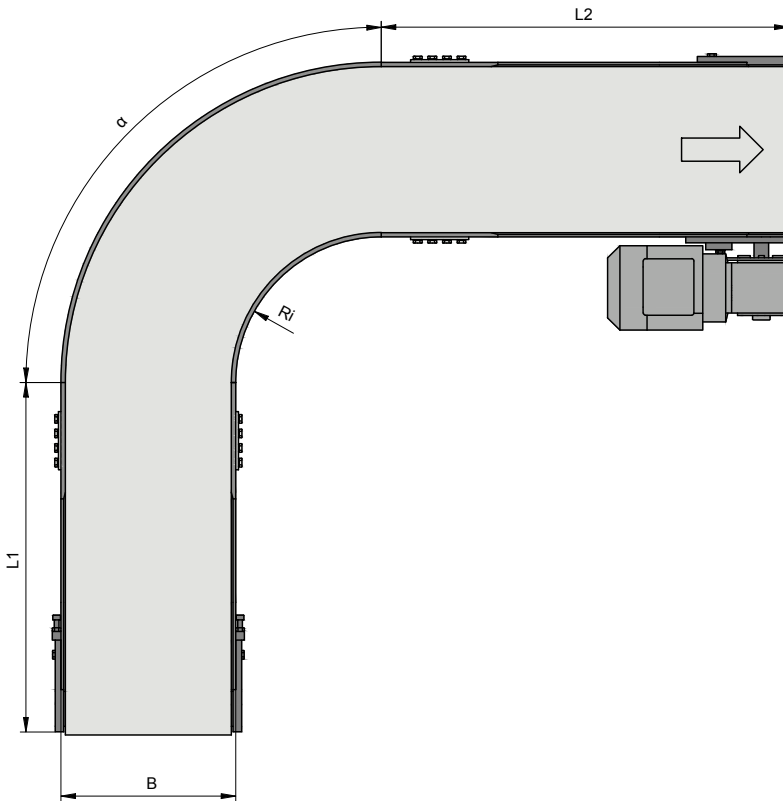
Efficiently handle any route

With the KMF-P 2040, mk expands its current offerings of straight conveyors and inclined conveyors to also include curved sections. With mk's modular design and the combination of straight sections and inclines; practically any route can be implemented in three-dimensional space. With only one drive for these complex routes, the KMF-P 2040 is also extremely economical.

Advantages

- A wide variety of layouts with a single drive
- A compact overall width and a maximum usable width
- Lateral movement of the conveyed products are possible
- Low-wear and low-maintenance
- High degree of safety
- Large selection of accessories



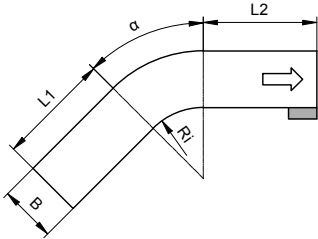


The curved modular belt conveyor KMF-P 2040, with one drive for complex routes, is extremely efficient. For additional technical data, accessories and other components; such as stands, side rails, belts, cleats and sidewalls; refer to our website.

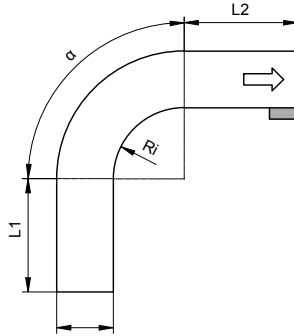
Technical information

Curve angle α	45° and 90° (in combination also 135° and 180°)
Drive	Head drives. Versions: AC, AF and AS
Speed	5 to 30 m/min
Belt load	Up to 150 kg; depending on layout, conveyor length and width. Higher on request.
Cleats and side plates	Optional cleats and sidewalls (H = 25 mm) are available for the belt.

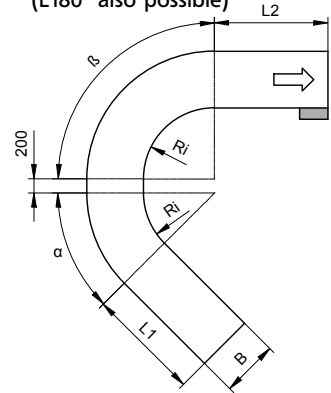
Curve L45°



Curve L90°

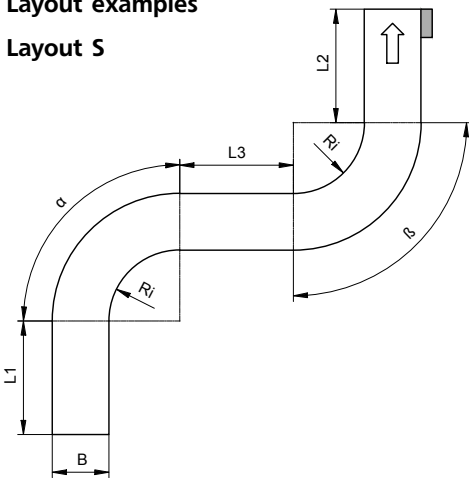


Curve L135°
(L180° also possible)

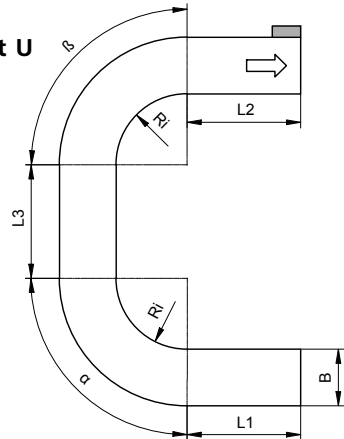


Layout examples

Layout S



Layout U



Dimensions [mm]

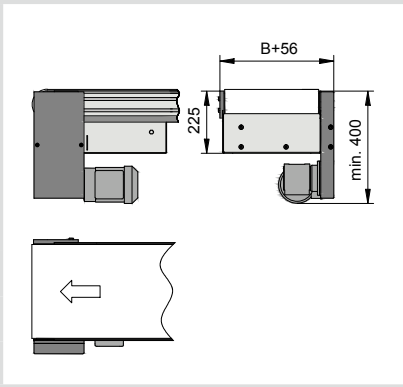
only for L45° or L90°

Dimensions [mm]									only for L45° or L90°				
Conveyor frame width (B)	164	241	317	394	470	546	623	699	776	852	928	1005	
Chain width (KB)	149	226	302	379	455	531	608	684	761	837	913	990	
Usable width (NB)	134	211	287	364	435	511	588	664	741	817	893	970	
Length L1 (min.)	224	339	453	569	683	797	912	1026	1142	1256	1370	1485	
Length L2 (min.)	645	645	645	758	910	1062	1216	1368	1522	1674	1826	1980	
Length L3 (min.)	Layout S	400	452	604	758	910	1062	1216	1368	1522	1674	1826	1980
	Layout U	400	400	400	400	400	400	400	400	400	400	400	400
Inner radius (Ri)	324	493	660	830	997	1164	1334	1501	1670	1837	2005	2174	

Drive versions

Head drive AC

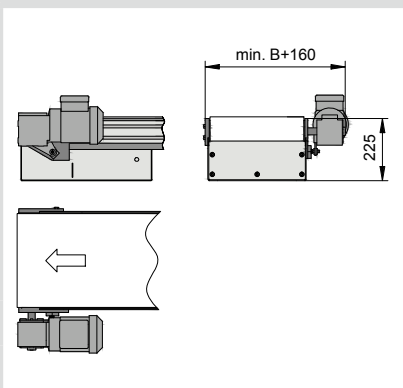
Type L: B20.40.826 | Type S: B20.40.827 | Type U: B20.40.828



Properties	Head drive, standard Standard drive version with a variety of motors, gear-reducers and drive train sprockets.
Drive location	Discharge; left or right
Motor orientation	0°, 90°, 180°
Speed	5 to 30 m/min

Head drive AF

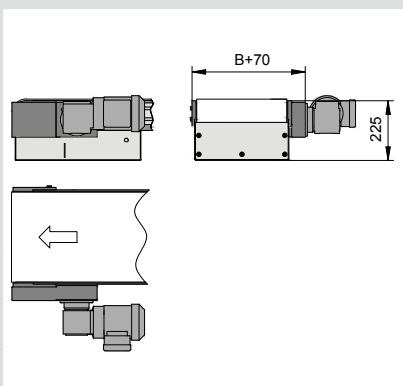
Type L: B20.40.823 | Type S: B20.40.824 | Type U: B20.40.825



Properties	Head drive, direct A compact and low-maintenance drive version with the motor mounted directly to the drive shaft.
Drive location	Discharge; left or right
Motor orientation	0°, 90° (front terminal box), 180°, 270°
Speed	5, 7, 10, 12.5, 17, 20.5, 26, 29.5 m/min

Head drive AS

Type L: B20.40.820 | Type S: B20.40.821 | Type U: B20.40.822



Properties	Outside head drive, compact A drive version with a minimum overall height and an externally mounted motor.
Drive location	Discharge; left or right
Motor orientation	0°, 90°, 180°, 270°
Speed	5 to 30 m/min



**Maschinenbau Kitz GmbH
Headquarters of the
mk Technology Group**

Ampèrestraße 18
53844 Troisdorf
Germany

Phone +49 228 4598-0

Fax +49 228 453145

www.mk-group.com

info@mk-group.com