

M850-MPD DC MEASURING MULTIFUNCTION METERS

DESCRIPTION

The M850-MPD is a complete DC measuring, digital, universal metering system in a standard 96 x 96mm DIN case. This multifunction power meter is suitable for DC applications up to 10A directly connected or up to 10,000A via a shunt. The bright LED display is easy to view in all lighting conditions.

APPLICATION

The range is a cost effective replacement for traditional panel meters and is suitable for low, medium & high voltage control panels, gensets, building management systems, power management and more.



RANGE

STANDARD FUNCTIONS:

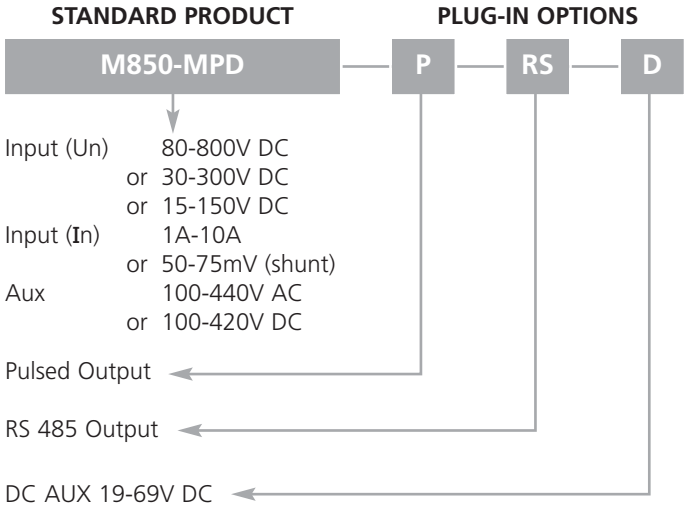
DC Amps	AMP Demand
DC Volts	Power Demand
DC Power (Watts)	Maximum Amp Demand
DC Energy (Watt hours)	Maximum Power Demand
	Ah Intergrated Current Range

PROGRAMMABLE FUNCTIONS

All models feature the following user-programmable functions:

- Current rating
- Baud Rate, Parity, Stops
- Single system
- RS485 address, 1-247
- Security code access for programming

ORDERING INFORMATION



Order example: a standard product with RS 485 output is part number M850-MPD-RS (please specify inputs)

PLUG-IN OPTIONS

Both pulsed output (for Wh or VArh) and RS 485 output (Modbus protocol) are plug in options which can be supplied with the multifunction meter. If purchased separately please use ordering codes above.



Pulsed Output when ordered separately use part PULSE-M850



RS 485 Output when ordered separately use part RS485-M850

M850-MPD DC MEASURING MULTIFUNCTION METERS

HOBUT

SPECIFICATIONS

INPUT (ACCURACY RANGE)

Un (options)
80V to 800V dc, 30V to 300V dc, 15V to 150Vdc or 6V to 60V dc
Burden < 0.5VA
In (options)
1A to 10A or mV input (50mV, 60mV or 75mV)
Burden < 0.5VA
Voltage (-) is internally connected to L1 (I)

OVERLOAD

Un x 1.25 indefinitely
In x 5 for 1 sec

ACCURACY

Voltage 0.5% +/- 2 digits
Current 0.5% +/- 2 digits
Power (W_r) 1.0% +/- 2 digits
Energy IEC 1036 Class 1

AUXILIARY VOLTAGE

100V to 440V ac (45Hz to 65Hz)
100V to 420V dc
Burden: < 10VA

DISPLAY

Digits 3 lines 9999
Digit size 14.2mm 7 segment
Update time 1 second

INSULATION

Installation Category III (480V)
Degree of Pollution 2
Rated Impulse Voltage IEC 60947-1-V
imp 4kV
Meter Front Class II
Electrical Security IEC 61010-1

ELECTROMAGNETIC COMPATIBILITY

Immunity:
ESD IEC 61000-4-2-Level III
Radiated IEC 61000-4-3-Level III
Fast Transient IEC 61000-4-4-Level III
Impulse Waves IEC 61000-4-5-Level III
Conducted IEC 61000-4-6-Level III
Voltage Dips/Short Interruptions IEC 61000-4-11-Level II
Emissions:
Conducted and Radiated CISPR11-Class A

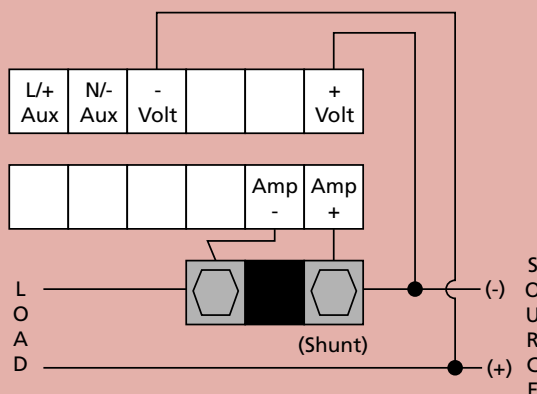
ENVIRONMENT

Working Temperature 0 to 60 deg C
Storage Temperature -40 to 85 deg C
Relative Humidity 0-95% non condensing
Shock 30G in 2 planes

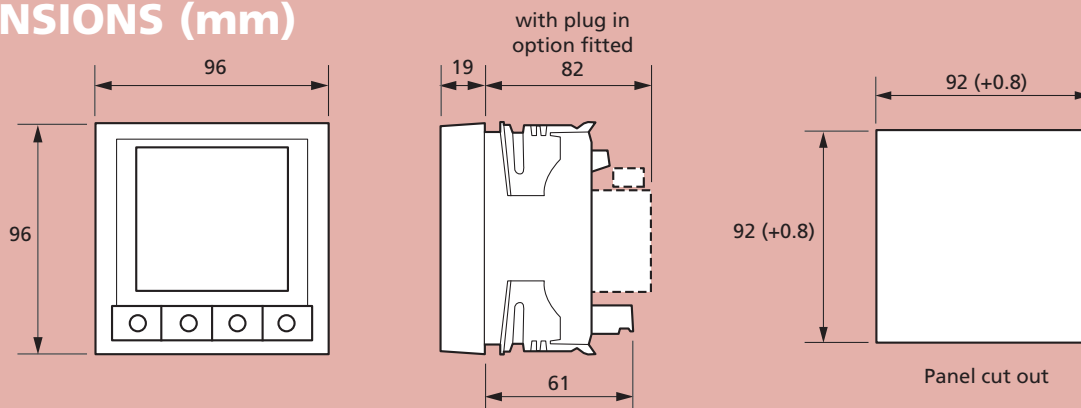
ENCLOSURE

Standard DIN case 96 x 96 x 60mm
Panel mounting 4 retaining clips
Cutout 92.8mm x 92.8mm
IP Rating - Front IP52 / Nema
IP Rating - Case IP30 / Nema

CONNECTION DIAGRAM



DIMENSIONS (mm)



Our policy is one of continuous development and therefore specifications may change without notice.

HOWARD BUTLER LTD

CROWN WORKS, LINCOLN ROAD
WALSALL WS1 2EB ENGLAND

Tel: 01922 640003 Fax: 01922 723626
International Tel: +44 1922 640003 E-mail: sales@hobut.co.uk
Web: www.hobut.co.uk