



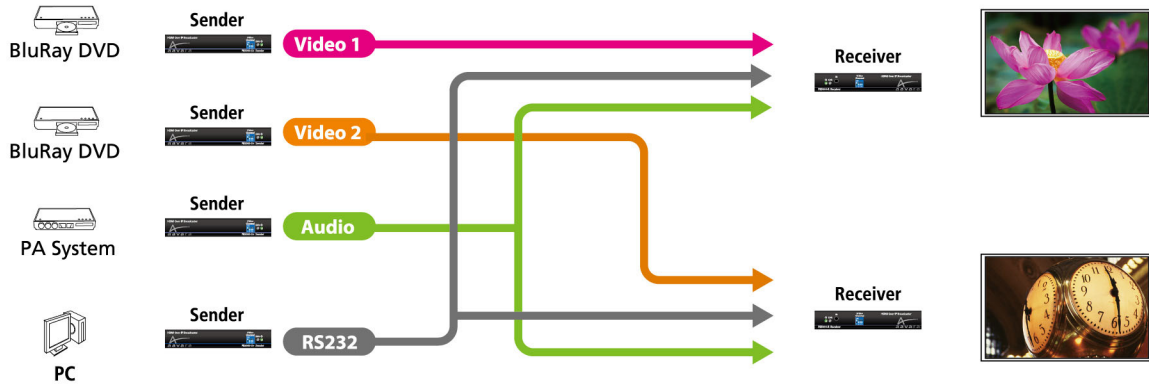
# Aavara Over IP™

An Evolving AV Matrix/ VideoWall Technology

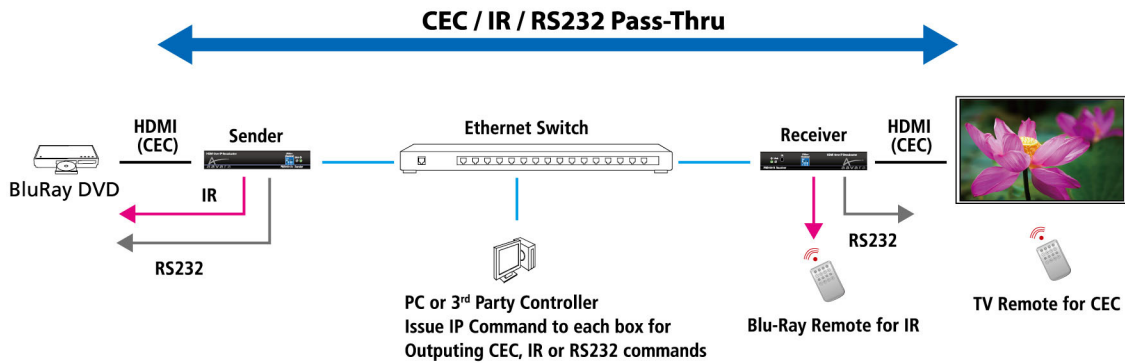


## Independent Matrix Routing for Each Service

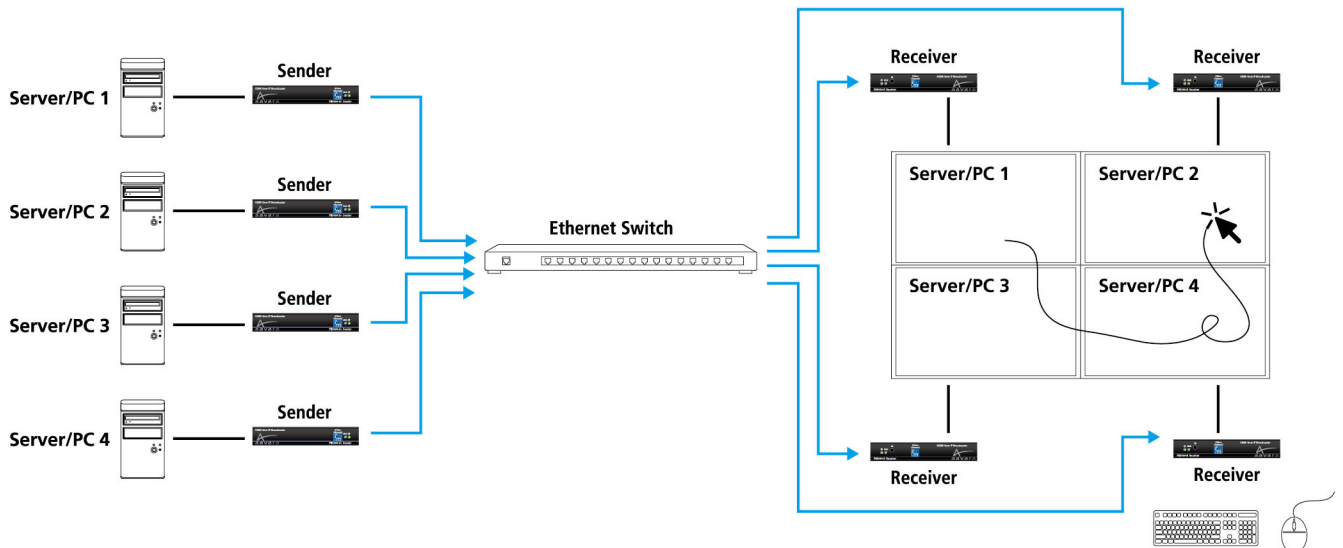
(Video, Audio, RS232, IR and USB)



## CEC / IR / RS232 Over IP



## KVM Keyboard / Mouse Roaming

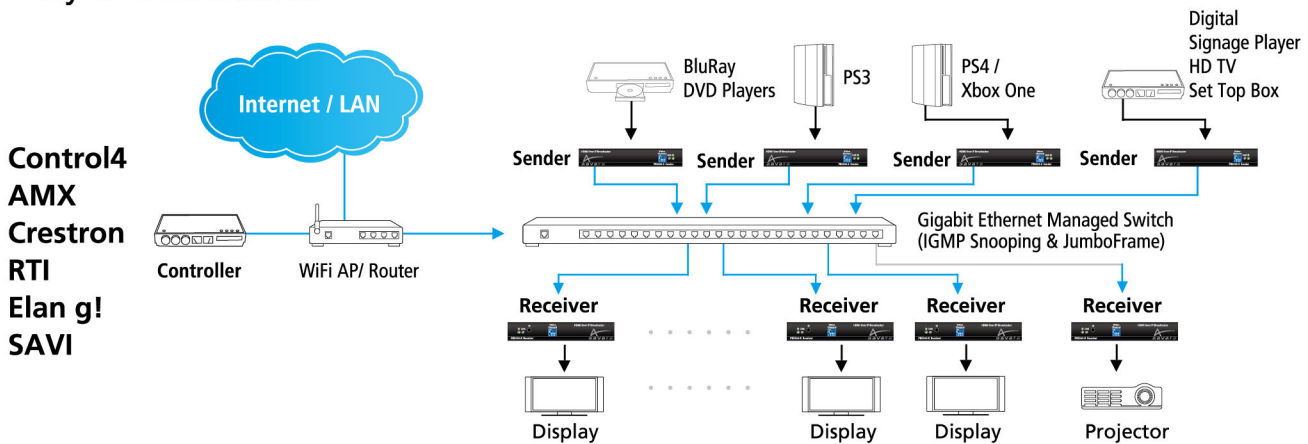






## 3rd party Controller integration

Controller driver provided, allow controller control Aavara Box directly by IP commands



## Aavara AV Master Web Control

Built-in in box without additional cost, just one Web page can centralize control entire AV Matrix and VideoWall



- Auto Search All Senders & Receivers
- Multicasting Control
- Multicasting Control by group
- VideoWall
- Video Snapshot
- Display/Device Control(RS232)
- EDID management



## IR Remote Video Channel Control

A 16 channels IR remote included in PB9000 and PB7000 receiver. User can use Universal IR Remote for controlling Over IP Receiver and Video Source with ONE remote. Ideal for home or small commercial installation.

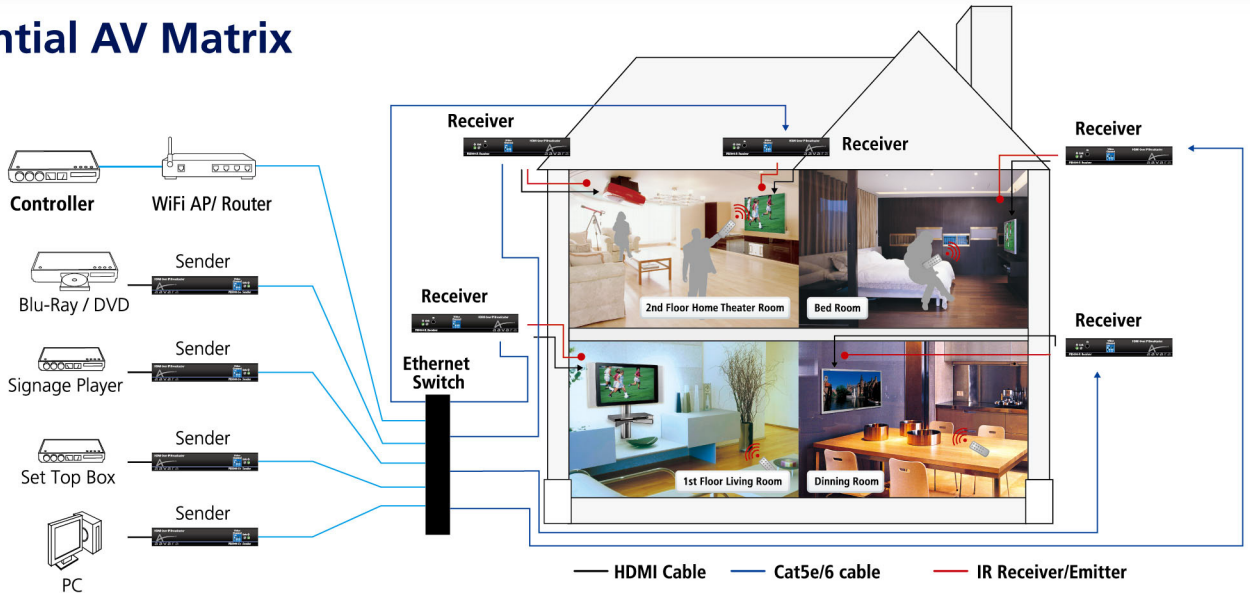


## Keyboard Hotkeys Control

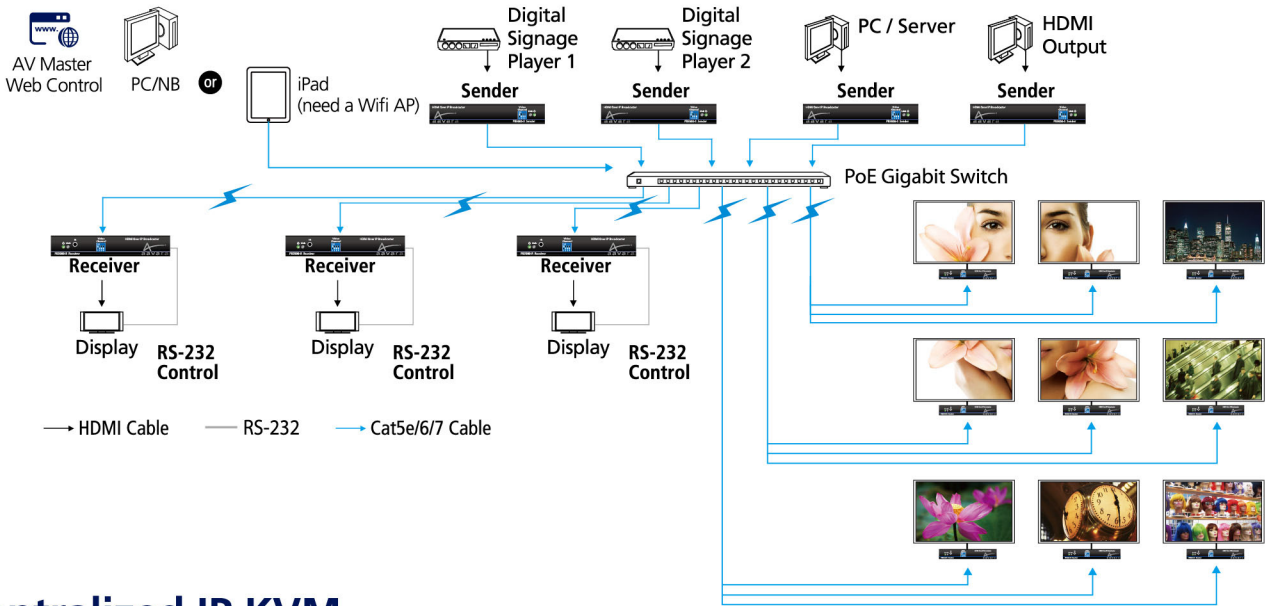
Just plug-in an USB Keyboard at PB7000 or PB9000 Receiver's USB port. User can use Keyboard Hotkeys to switch Receiver quickly. Ideal for IP KVM application.

## Residential AV Matrix

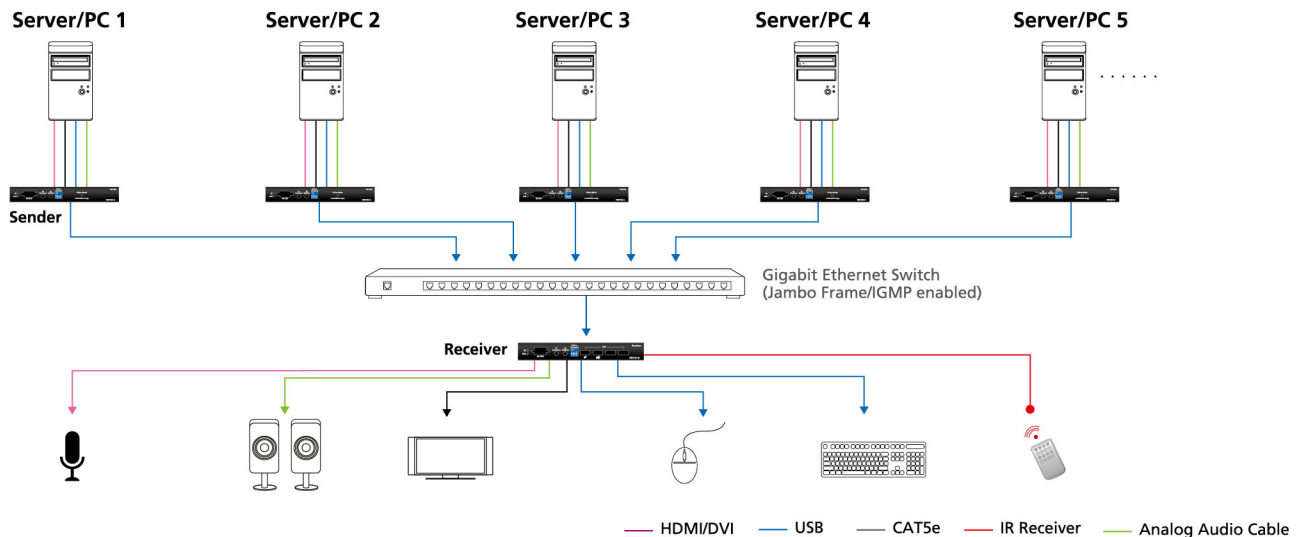
Control4  
AMX  
Crestron  
RTI  
Elan g!  
SAVI



## Scalable & Flexible Digital Signage/VideoWall



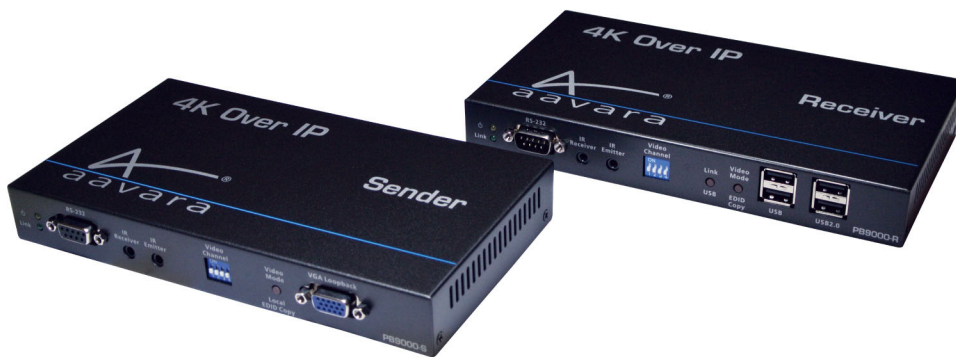
## Centralized IP KVM





**PB9000**

**4K HDMI HDCP 2.2 HDR Video, Multi-Channel Audio, Ultra Low Latency, Hybrid Video Out, VideoWall, USB 2.0 KVM, SFP Fiber Optical**



**AV Matrix**

**VideoWall**

**USB IP KVM**

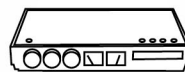
**HDR**

**HDCP 2.2**

## Way to Control



AV Master Web Control



3rd Party Controller  
Integration



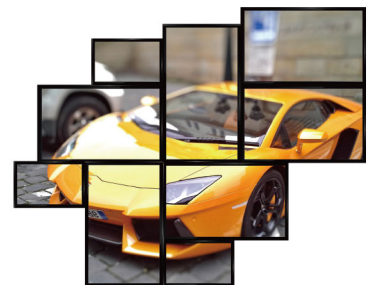
Keyboard HotKeys  
Control



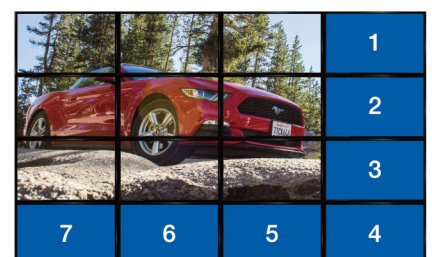
IR Remote Control

- Up To HDMI 2.0 4k 2160p60hz 4:2:0 Video Input
- HDR Video Format Support
- Ultra Low Latency 16~33ms
- Up To 7.2 CH Audio Or More (LPCM/dts/DOLBY/DOLBY ATMOS)
- USB 2.0 Pass-thru
- Asymmetric or Symmetric VideoWall Up to 4K Resolution
- Hybrid Video Output: Different Video Format At Each Receiver
- Video Rotation 0, 90, 180, 270 Degree, Mirroring
- HDMI Audio Extract To Analog Output (2 Channel LPCM Audio)
- Max. Bit Rate Control (10 Mbps ~ 800 Mbps)
- Video Snap Shot (Video Capture)
- HDCP 2.2 Support (For 4k Blu-ray & Video Streaming)
- EDID Copy/customize Edid To Enhance On Compatibility
- Both RJ45 & SFP Fiber Optical For Meters Or KMs Point To Point Connection
- PoE 802.3af Support

Asymmetric  
VideoWall



Symmetric  
VideoWall





## PB7000

### HDMI KVM Over IP Broadcaster w/ USB, IR & RS232 Pass-Thru



AV Matrix

USB IP KVM

- Ultra Low Latency 16~33ms
- HDMI, USB, RS-232 & IR Over Gigabit Ethernet
- VGA Out on Receiver for Non-HDCP Video Pass-Thru
- Up to 1080p 60 fps, 720p 3D and 1920 x 1200 (WUXGA)
- Up to 7.2 CH LPCM, dts & Dolby® Audio
- Two Analog Audio In/Out for External Active Speaker & Mic.
- Two Way IR Command Pass-Thru
- 4 x High Speed USB 2.0 Ports on Receiver
- Easy to Use IR Remote Control Video Channel Switching
- EDID Copy/Customize EDID management
- PoE 802.3af support

#### Way To Control



AV Master Web Control



3rd Party Controller  
Integration



Keyboard HotKeys  
Control



IR Remote Control

## PB5000+

### HDMI Over IP Broadcaster w/ RS-232 & IR Pass-Thru



AV Matrix

VideoWall

- Flexible and Scalable 1080p HD Video Distribution by Gigabit Ethernet LAN/Switch
- Ultra Low Latency 16~33ms
- IR Control Pass Thru for Controlling Video Source
- Two Way RS-232 for Controlling Display or Video Source Device
- EDID Copy/Customize EDID to Enhance on Compatibility
- Video Wall, Max. Up to 8x16 Displays by Easy Web Interface
- PoE 802.3af support

#### Way To Control



AV Master Web Control



3rd Party Controller  
Integration