

Wasteflo LS5 - Lifting Station

The Wasteflo LS5 lifting station is ideal when you need to create a shower room, kitchen or utility room anywhere in your home or commercial building. Showers, wash basins, sinks, washing machines or dishwashers can all be connected.

Application

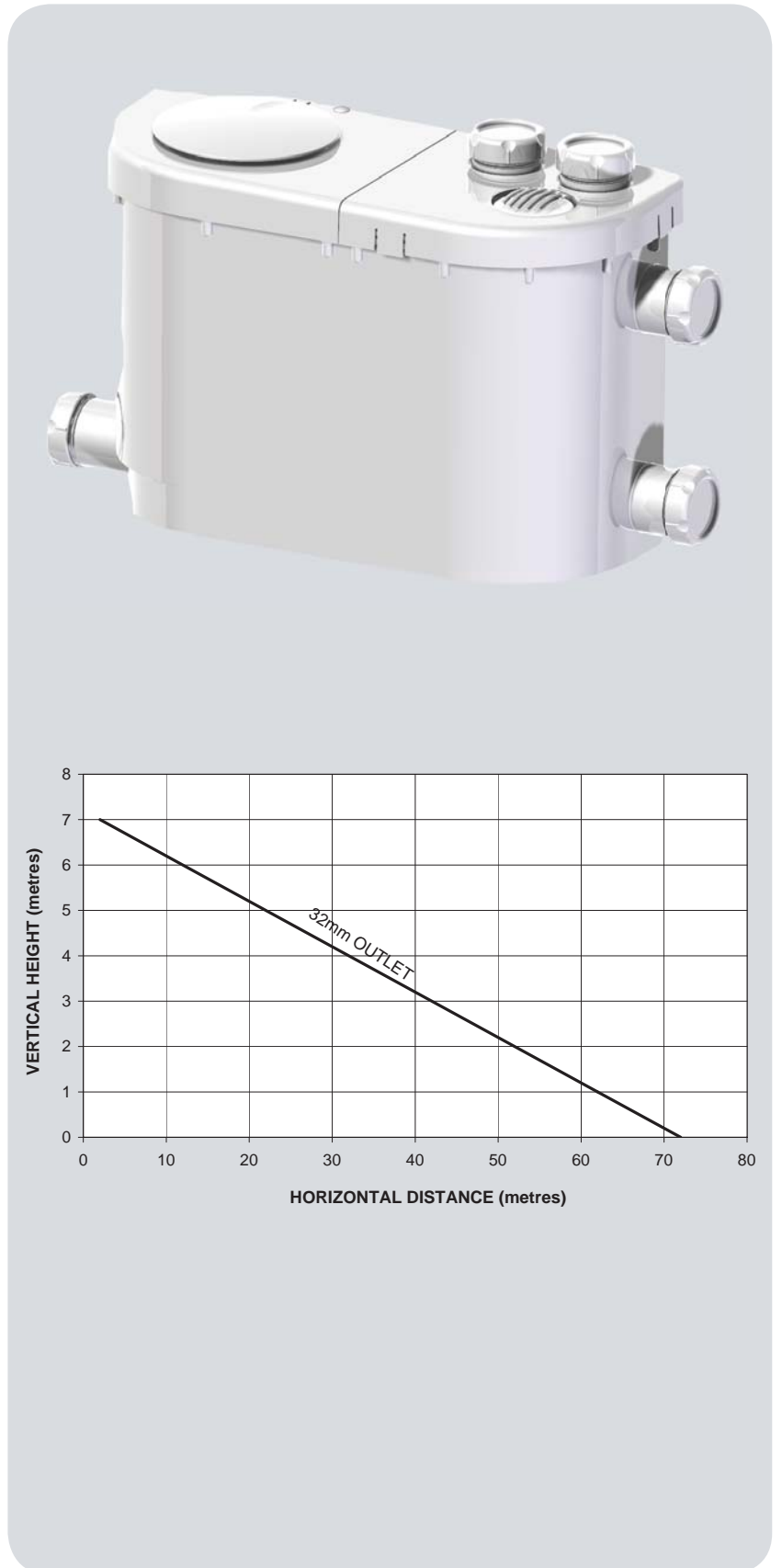
The Lifting Station is a simple way to pump waste water from a sanitary appliance where there is no local access to a soil pipe.

Features & Benefits

The Wasteflo LS5 lifting station is designed with an innovative removable cassette system, which houses the electrical and mechanical components. This cassette system allows for easy and clean access without having to remove any pipework or the appliance when servicing or maintaining the product.

Specification

- Two top inlet connections suitable for dishwasher and washing machine.
- Three side inlets with non return valves suitable for 32 mm (1¼ ") or 40 mm (1½ ") waste pipe connections (inlet adaptor included).
- 32 mm (1¼ ") diameter waste outlet.
- Pumps up to 7 m vertically or 72 m horizontally.
- Maximum flow rate of 120 l/min.
- Complies with BS EN 12050.
- Less than 60 dB noise level.
- Supplied pre-wired with 1.5 m supply cable.
- Full range of spares available.



Wasteflo LS5 - Lifting Station

Model	Motor	Max. watts consumed	Amps full load	Carton dims. mm			Gross weight (packed) kg	Part no.
				L	W	H		
LS5	230/1/50	460	2.0	580	270	385	9.8	46577

Materials

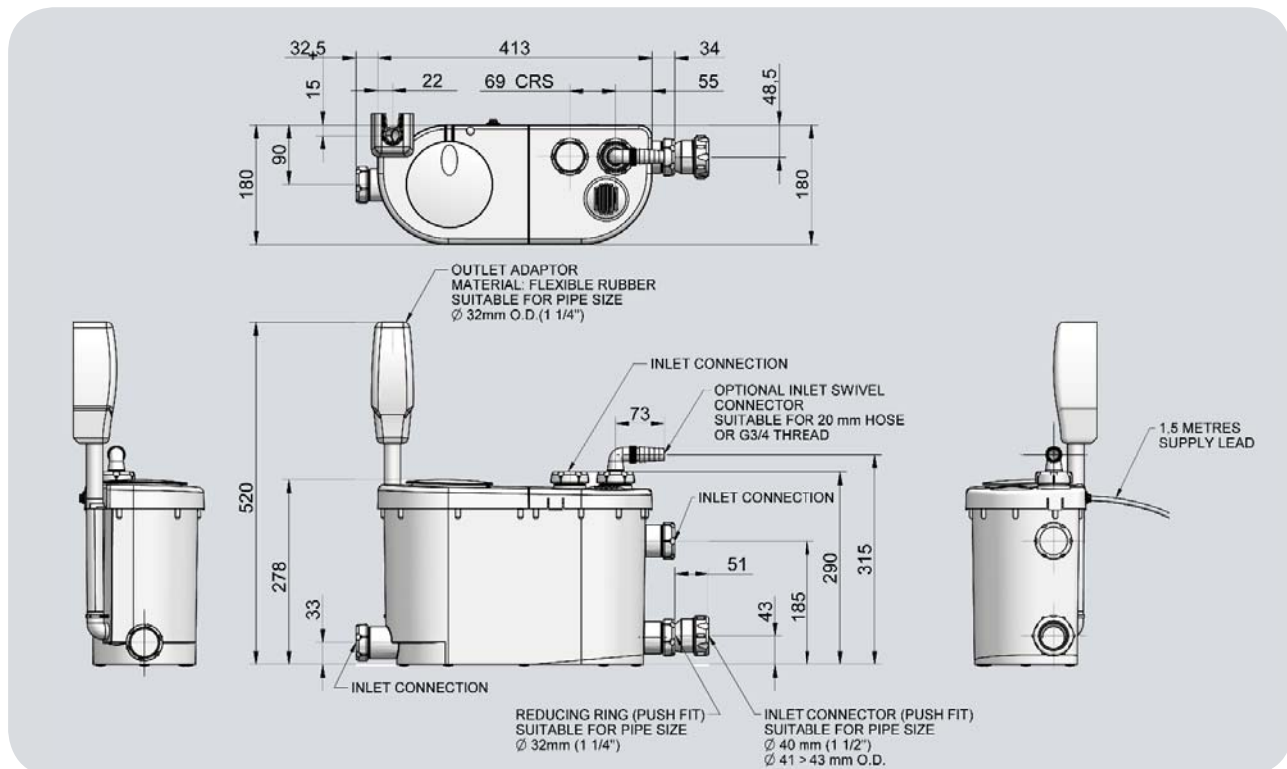
Polypropylene, stainless steel, evoprene

Operating Conditions

Max. liquid temp.	50°C
Min. liquid temp.	4°C
Suction	Flooded
Max. ambient air temp.	40°C

Pump Connection Sizes

Inlet	32 mm (1¼")
Outlet	32 mm (1¼")



All dimensions shown are in mm.

Stuart Turner Ltd
Henley-on-Thames
Oxfordshire RG9 2AD
England
Telephone: +44 (0)1491 572655
Fax: +44 (0)1491 573704

info@stpumps.co.uk
www.stuart-turner.co.uk

V.A.T. REG. No. 199 0987 92.
Registered in England No. 88368.
Registered Office:
Market Place, Henley-on-Thames

