

Thermostats

Hygrostats & Hygrothermostats

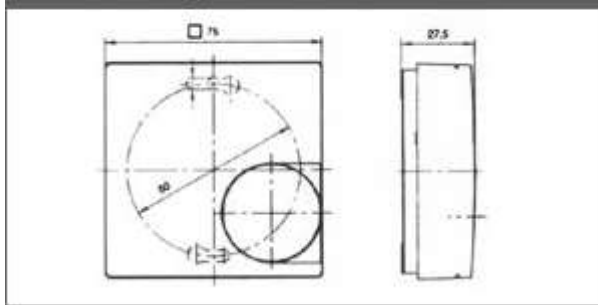
Hygrostats model 6001 are suitable for wall mounting for the automatic operation of humidifiers and de-humidifiers.

Hygrothermostats model 7001 also incorporates a room thermostat with changeover contacts for combined control humidity and temperature. Full details on request.

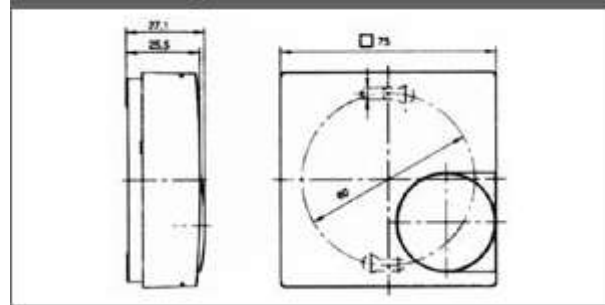
RTR-E 3000 & RTR-E 6000 Series

TYPE RTR-E	3521	3545 (Tamperproof)	6705 (Change over)	6721 (Change over)
TEMPERATURE RANGE	5 - 30°C	5 - 30°C	10 - 60°C	5 - 30°C
OPERATING VOLTAGE	230V AC	230V AC	230V AC	230V AC
SWITCHING CURRENT	16A	16A	HEAT 10A COOL 5A	HEAT 10A COOL 5A
CONTACT	SPST	SPST	SPDT	SPDT

Thermostat Type 3521 - Dimensions



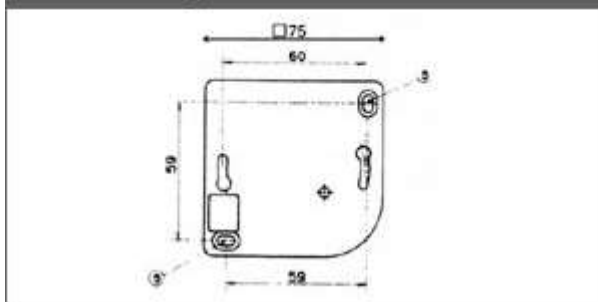
Thermostat Type 6721 - Dimensions



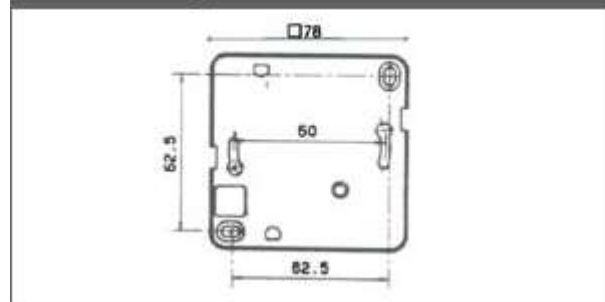
TY90 Range

TYPE	TY90B1	TY90B2 (With switch)	TY90B3 (Change over)	TY90T3 (Tamperproof)
TEMPERATURE RANGE	5 - 35°C	5 - 35°C	5 - 35°C	5 - 35°C
OPERATING VOLTAGE	230V AC	230V AC	230V AC	230V AC
SWITCHING CURRENT	10A	10A	HEAT 10A COOL 3A	HEAT 10A COOL 3A
CONTACT	SPST	SPST	SPDT	SPDT
ON / OFF SWITCH	NO	YES	NO	NO

Thermostat Type TY90B - Dimensions



Thermostat Type TY90C - Dimensions



HVR Pentagon Limited
 Unit 2
 Kings Road Industrial Estate
 Tyseley
 Birmingham B11 2AX
 UK

Tel: + 44 (0) 121 773 2413
 Fax: + 44 (0) 121 772 7322
 Email: sales@hvrpentagon.com
 Web: www.hvrpentagon.com