

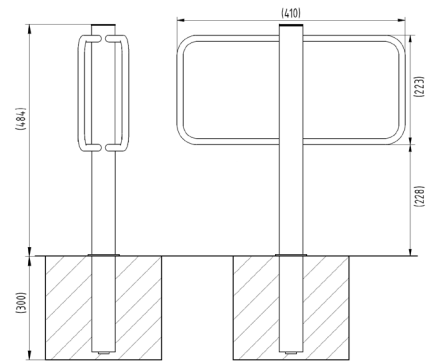


Model SU (V) Cycle Holder Galvanised



The Model SU (V) is a freestanding variant of the simplest cycle holder, the Model R. A familiar sight throughout the UK, these holders allow the tyre of the bicycle to be supported. The Model SU (V) is suitable for two bicycles. The stand is fixed to the ground, in either concrete in or bolting down versions and can be spaced at 610mm apart for cost effective cycle parking.

The practical and durable nature of the VELOPA Model SU (V) Cycle Holder ensures it has been consistently specified and used since its introduction in the 1950s.



<u>Part Number</u>	<u>Description</u>	<u>Weight (kg)</u>
138 200 007	Model SU (V) - Concrete In	5kg
138 200 049	Model SU (V) - Bolt Down	5kg

Product details

- 12mm diameter bar
- 484mm x 90mm x 410mm (height x width x depth)
- 50mm x 50mm square mounting tube
- Round flange plate – 133mm x 5mm
- Each stand requires 3 x 12mm bolts
- Black Polypropylene Cap

Installation & use

Bolt down Cycle Stands require bolting down to a suitable concrete surface (no less than 400mm³) three M12 bolts. Concrete In Cycle Stands are supplied with welded fixing spikes to ensure firm ground anchorage. Concrete In stands require an excavated hole (no less than 300mm deep) for installation. This product is guaranteed for 12 months (if installed and used correctly).



www.autopa.co.uk
+44 (0)1788 550556

AUTOPA Limited
Cottage Leap, Rugby, Warwickshire CV21 3XP

