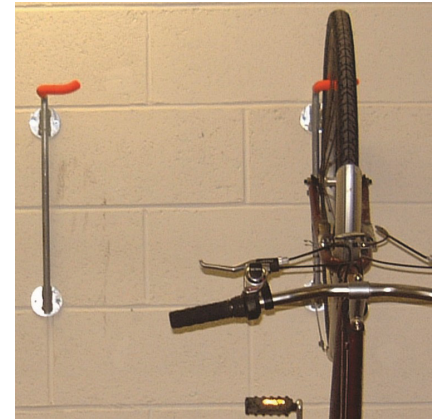




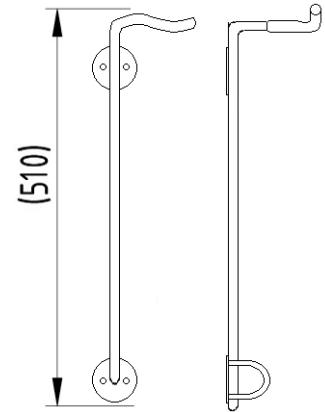
Vertical Cycle Holder Galvanised



The Vertical Cycle Holder is suitable for hanging bicycles from the wall, this cycle parking solution which is ideal where space is at a premium requires the user to take the full weight of the bicycle, but is extremely easy to use.

The front wheel of the bicycle is simply hooked over the foam protection bracket, the foam ensures that there is no damage to the cycle.

The eyelet allows for the user to secure their bicycle using their own locking system.



<u>Part Number</u>	<u>Description</u>	<u>Weight (kg)</u>
138 200 290	Vertical Cycle Holder	2kg
138 200 300	Vertical Cycle Holder complete with Eyelet	2kg

Product details

- 16mm Galvanised Steel Bar
- 510mm length
- Round flange plate – 80mm x 5mm
- Each holder requires 4 x 8mm bolts
- Heavy duty foam sleeve protection
- Eyelet - 46mm x 5mm x 38mm (length x width x height)

Installation & use

Position rail to required position (ensure that the rear wheel of the bicycle will be off the ground).

Mark out and drill holes. Attach the vertical cycle holder to the wall.

This product is guaranteed for 12 months (if installed and used correctly).



www.autopa.co.uk
+44 (0)1788 550556

AUTOPA Limited
Cottage Leap, Rugby, Warwickshire CV21 3XP

