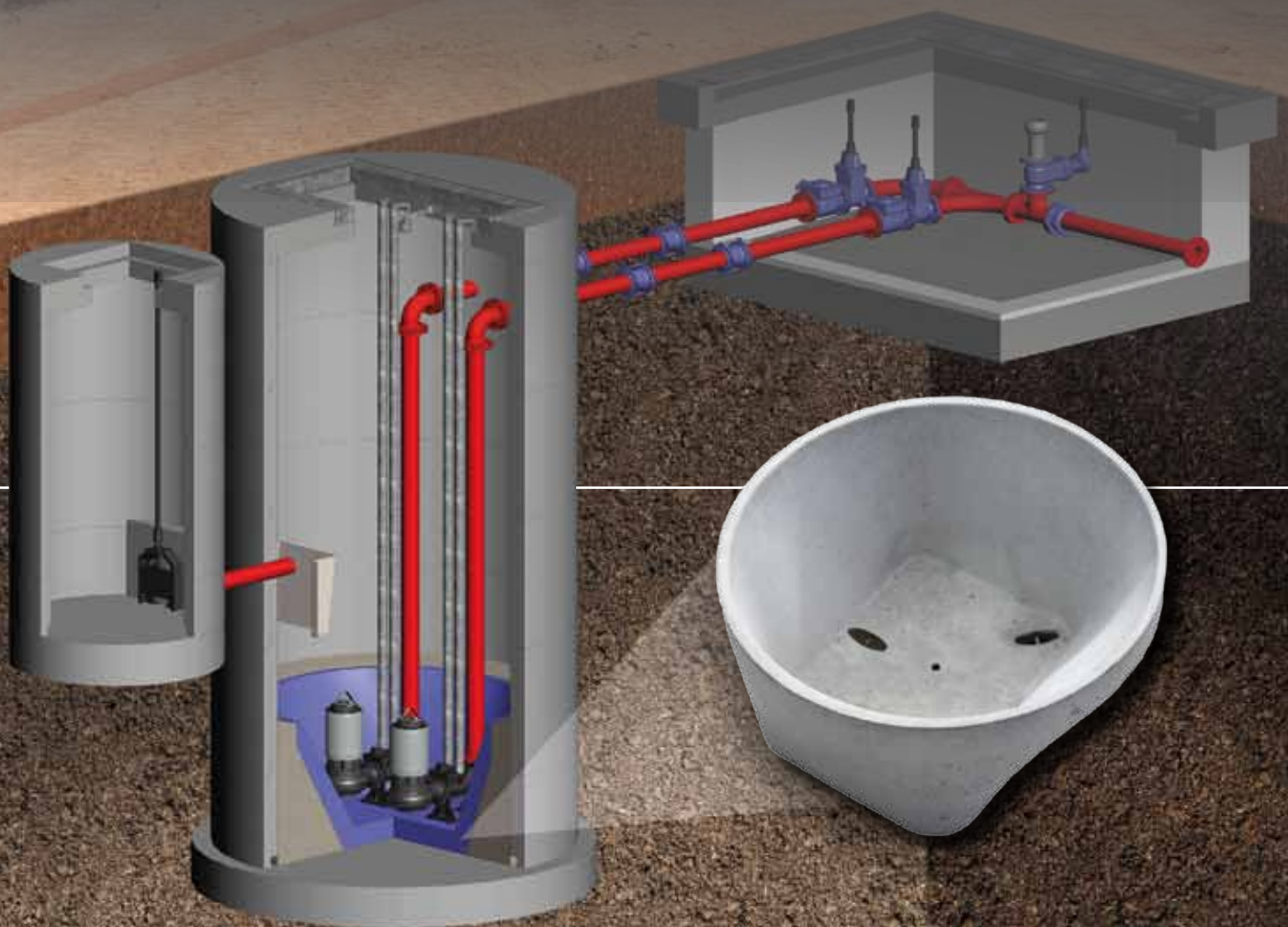


CPM T-T Pumping Stations



Sewage, Drainage and Effluent Pumping Station Precast Sump Solutions



T-T READY SUMP® / Features / Benefits



- Smooth and clean design
- Rapid, economic and safe installation
- Reduces health and safety risks on site
- Suitable for adoptive land and private pumping stations
- Superior hydraulic performance
- Reduces construction time and costs
- Readily available

A unique design that incorporates the key features required for sewage, drainage and effluent stations and that meets the adoptable standards demanded by the water companies. These engineered sumps are produced to high standards with a quality controlled process using precision tools. They have been specifically designed and built with efficiency and cost saving in mind.

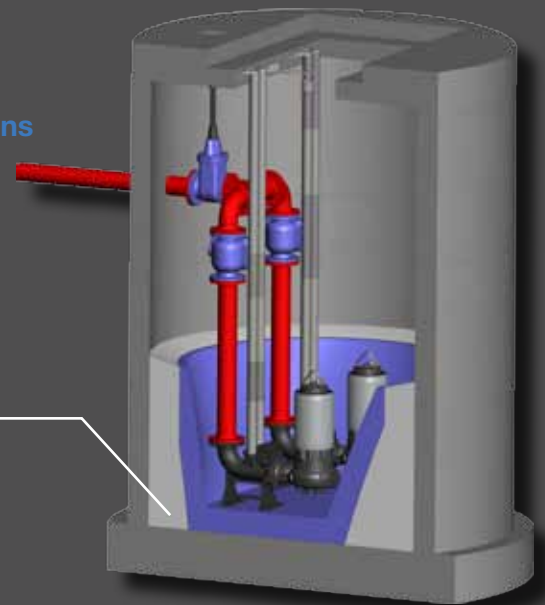
As a standard product the Ready Sump® is a stock item and available for delivery to your site on short lead times to suit your requirements. Sealed concrete rings, traditional non sealed concrete rings, access covers and inlet chambers are available options.

Applications:

- Adoptable Pumping Stations
- Non-adoptable Pumping Stations - Drainage Pumping Stations



The centre of pumping station construction

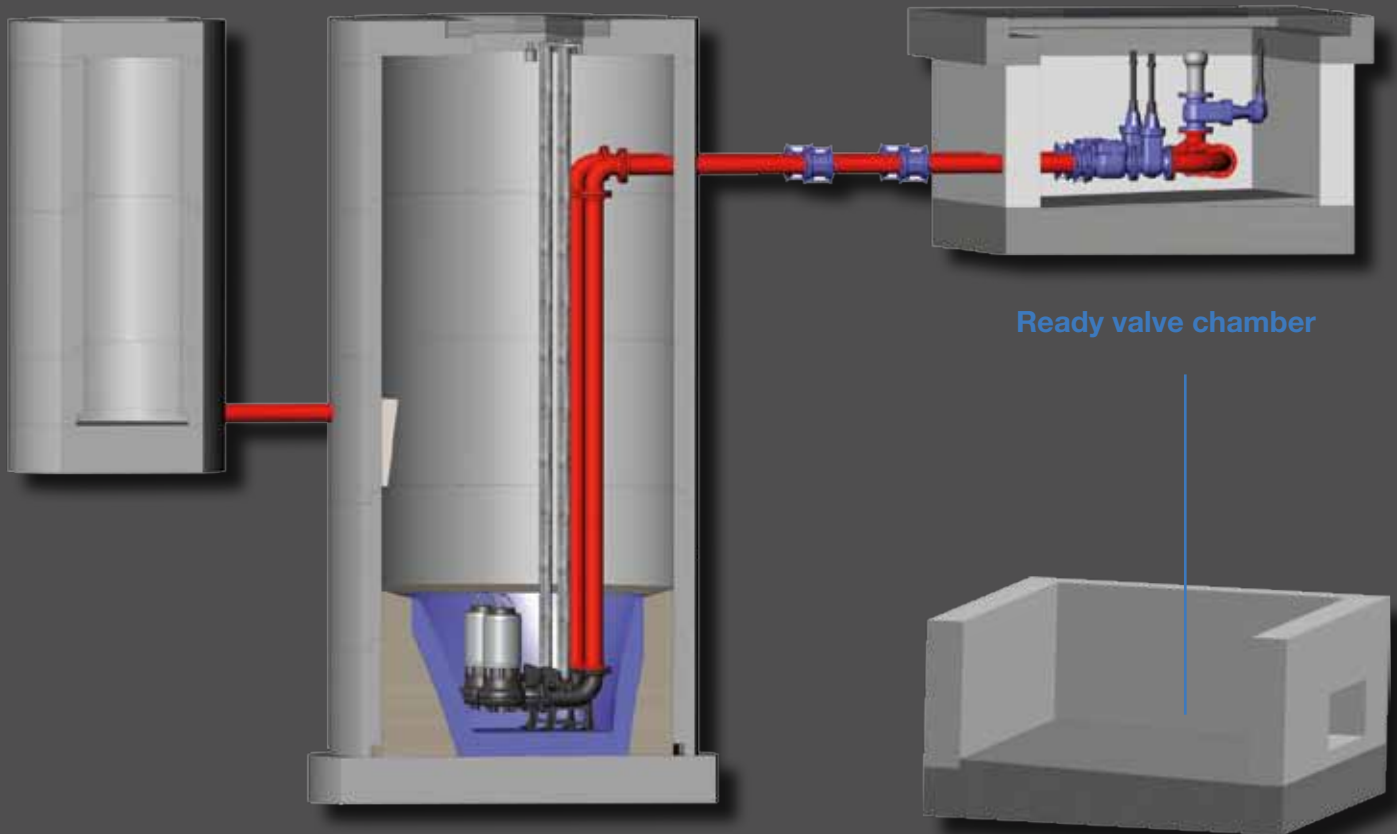


When there is no requirement for the pumping station to be adopted by the local water company the Ready Sump® still provides an economic basis for your pumping station. The pumping station has the virtues of good hydraulic design and associated performances.

The basic Ready Sump® can be incorporated into a standard 1800mm concrete ring or into a larger design where greater drainage volumes are required.

READY SUMP®

The demands of the latest Sewers For Adoption Guide (SFA) requires sump chambers to incorporate a number of key features including benching inclines and positioning of the submersible pumps, all this of which the Ready Sump® accommodates. With the engineered design and smooth finish the Ready Sump® provides the efficient and clean centre of the pumping station.



Ready valve chamber

The Ready Valve Chamber® is essential when constructing a pumping station to the requirement of the SFA guide. Incorporating all the features of a valve chamber and has the flexibility to accommodate various rising main outlets to meet site specifics for right or left hand and straight on connections.

A logical choice, the Ready Valve Chamber® with its factory produced accuracy, clean lines and compliance is an economical solution that is readily available. It is provided as a flat pack for easy assembly within an hour, with no special tooling required.

Size 2400mm x 1800mm

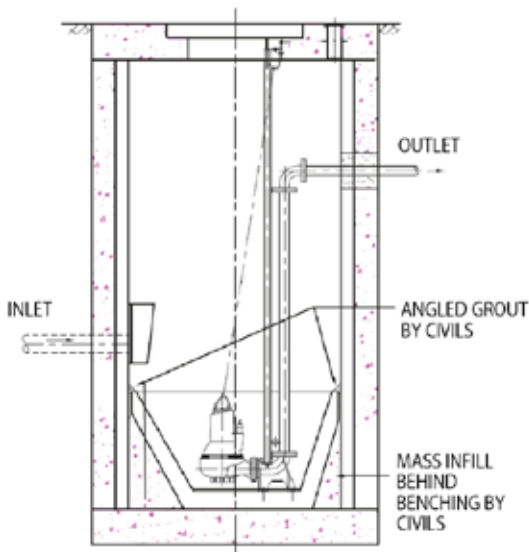
Depth Options 1200mm / 1300mm / 1400mm 1500mm / 1600mm / 1700mm / 1800mm

Other sizes available on request

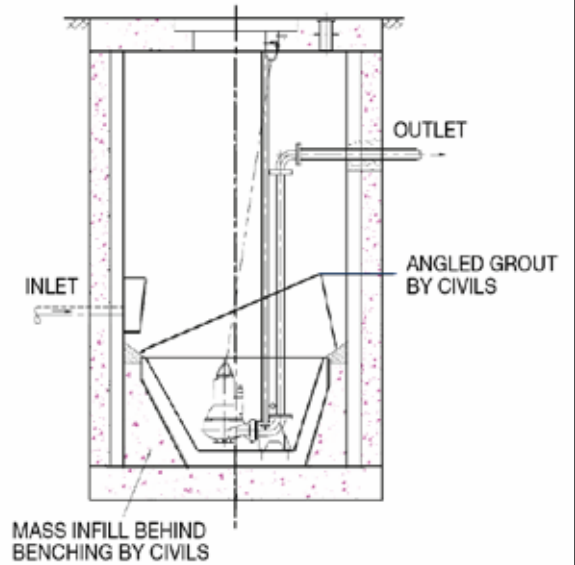
Customised Design

The basic Ready Sump® can be incorporated into a standard 1800mm concrete ring or into a larger design where greater drainage volumes are required.

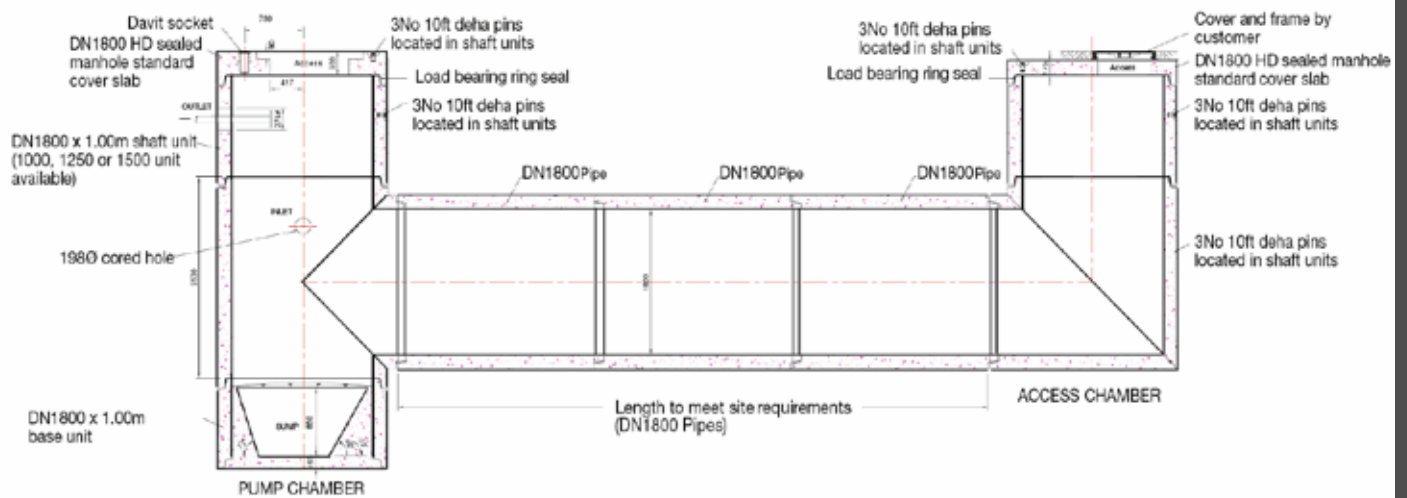
1800mm Pump Chamber



2100mm Plus Pump Chamber



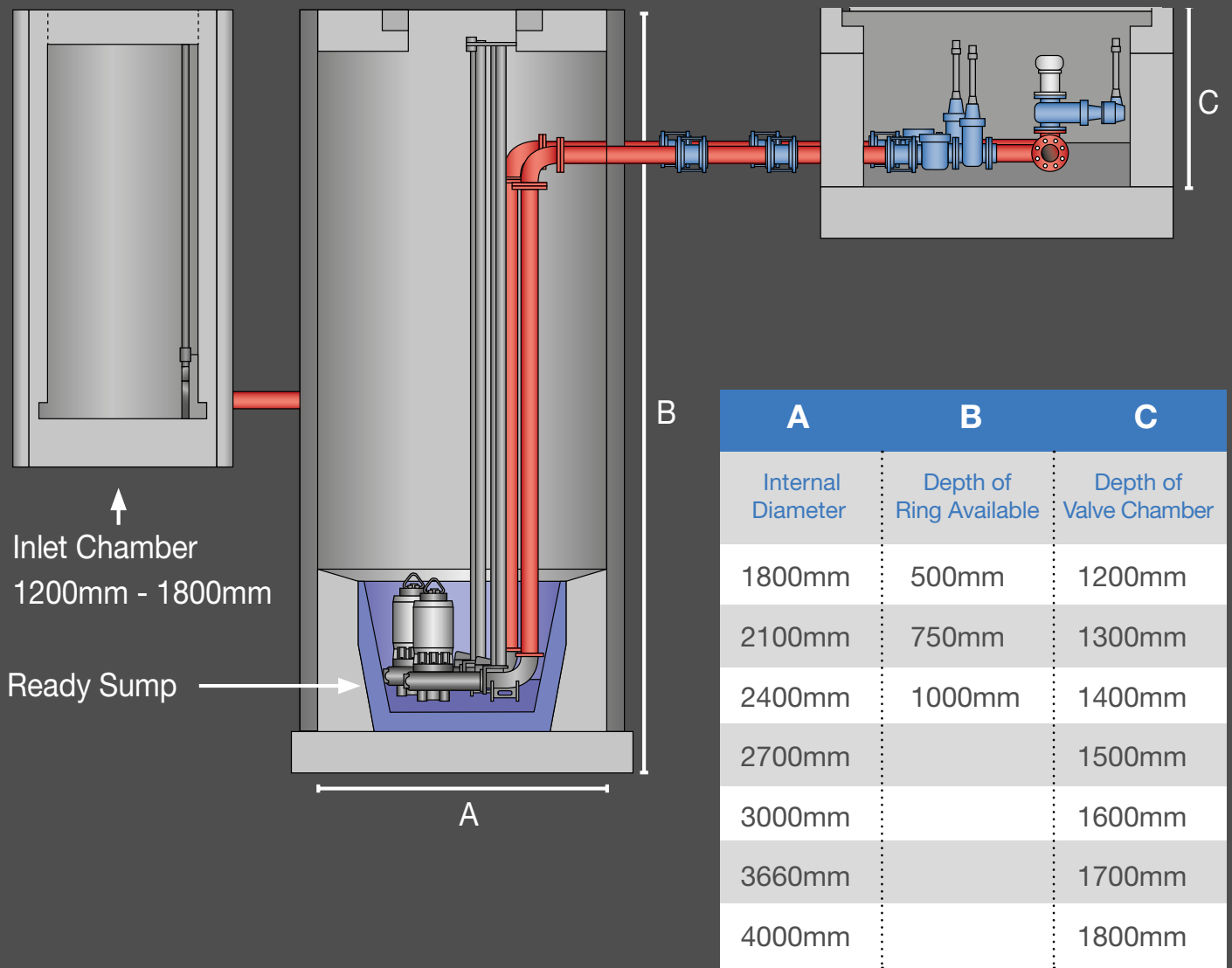
Special design for greater storage



The full package including the **Ready Sump®**

T-T Pumping Stations are able to provide the complete design and supply of the whole package, civil, mechanical and electrical components, with confidence.

With each unit being adapted to suit individual requirements at manufacturing stage our cost effective solution will take care of the construction, mechanical and electrical installation and commissioning. Overall T-T Pumping Stations offer an efficient solution with reduced civil costs and labour.

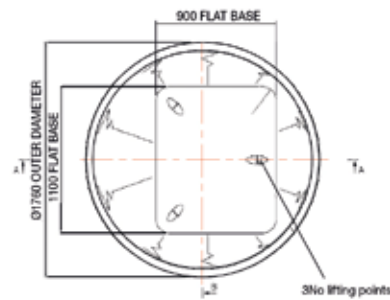
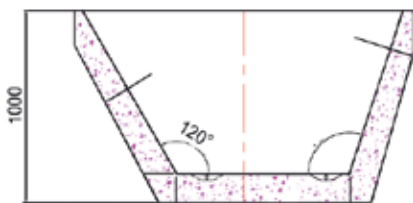


Ready Sump / Dimensions



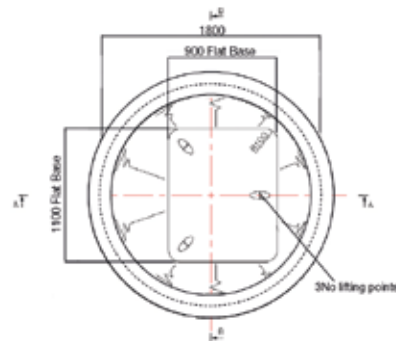
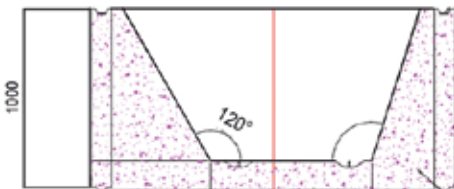
Basic Ready Sump

Estimated Weights of an 1800mm 2.1 tonnes



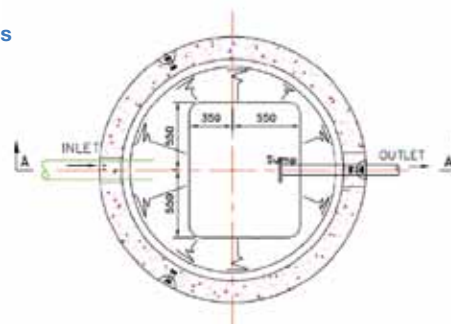
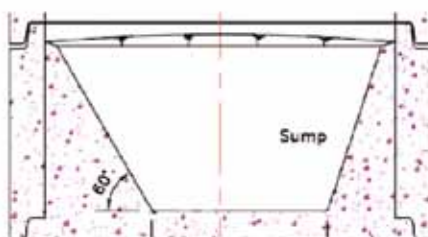
Traditional Non Sealed Concrete Ring Ready Sump®

Estimated Weights of an 1800mm 6.1 tonnes



Sealed Concrete Ring Ready Sump®

Estimated Weights of an 1800mm 7.0 tonnes



Pumping stations with confidence



Concrete for Life

Complete UK Coverage

HEAD OFFICE / ENGLAND / WALES SALES AND SOUTHERN WORKS

CPM Group Ltd, Mells Road, Mells,
Nr Frome, Somerset, BA11 3PD
Tel: 01179 812791 Fax: 01179 814511

NORTHERN WORKS

CPM Group Ltd, Pollington, Goole,
East Riding of Yorkshire, DN14 0DU
Tel: 01405 860591 Fax: 01405 863606

SCOTLAND SALES

CPM Group Ltd, 101 Main Street, Newmains,
Wishaw, Lanarkshire, ML2 9BG
Tel: 01698 386922 Fax: 01698 387167

PERFECT MANHOLE SALES

CPM Group Ltd, Barnfields, Leek,
Staffordshire, ST13 5QG
Tel: 01538 380500 Fax: 01538 380510

TECHNICAL OFFICES

CPM Group Ltd, CPM House,
Heath Mill Road, Wombourne,
Staffordshire, WV5 8AP
Tel: 01902 356220 Fax: 01902 356221



watermanagement@cpm-group.com
www.cpm-group.com

