



## Economical heating with the GSX

With the Mark GSX heat is generated via a premix-burner and blown out by means of an axial fan. The robust air heater is particularly suitable for industrial use and is very economical thanks to its low gas consumption, low maintenance and long lifespan.

The GSX is operated using an Optitherm+ clock thermostat or an Interface+ module that allows a connection with the BMS (building management system) via Modbus or a potential free contact.



The Optitherm+ also makes it possible to control the GSX units remotely with an app for mobile phone and tablet (available soon).

The Mark GSX series fully complies to the new Ecodesign 2018 and has a capacity range of 16,7 to 83,9 kW.

The GSX is suitable to heat garages, warehouses, workshops, distribution centers, showrooms and more.

### Features of the Mark GSX

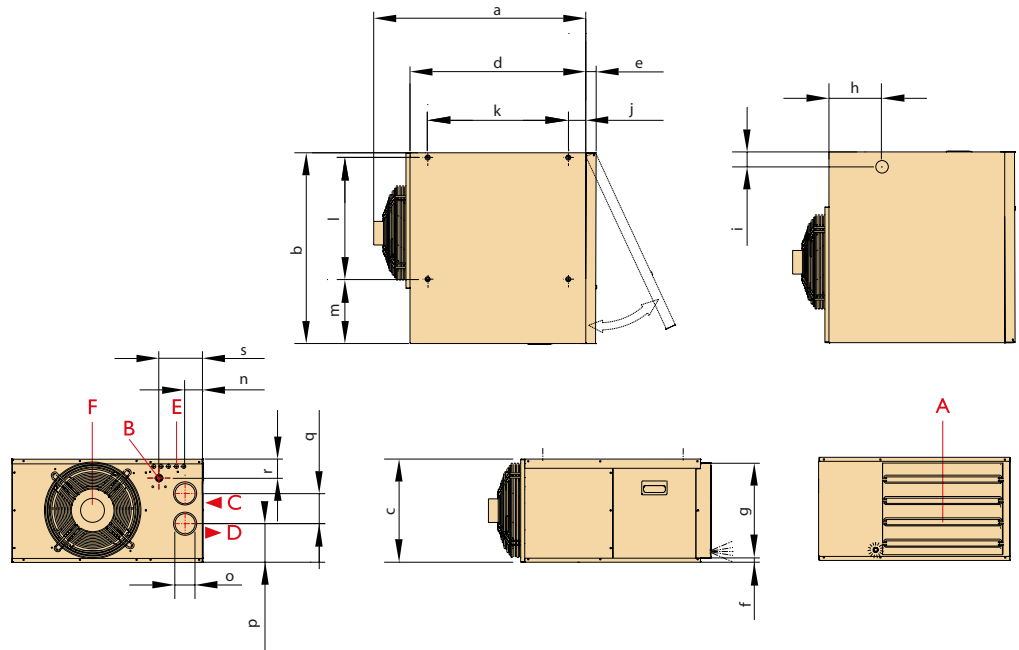
- Long lifespan
- Low operating costs
- Robust
- Reliable
- Uniform temperature distribution through high air displacement
- Small difference between supply air and room temperature
- Control up to 8 units possible via a 2-wire bus system
- Zone heating possible via I control (up to 8 zones)

### Standard equipment

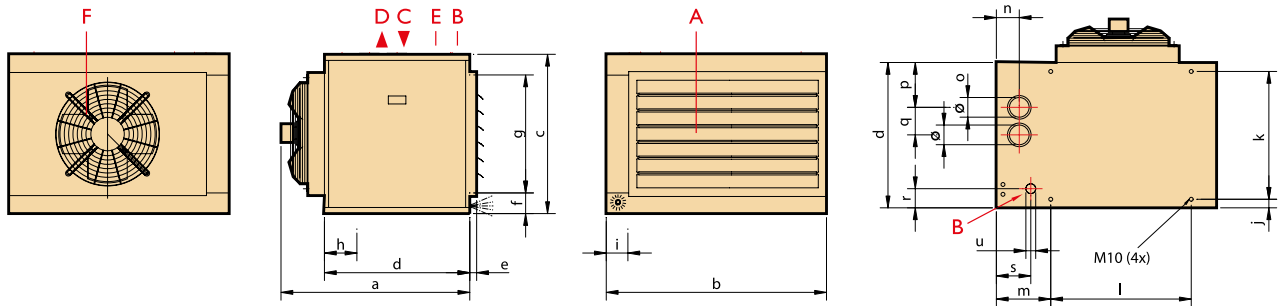
- Stainless steel heat exchanger
- Closed combustion circuit
- Premix burner
- Electronic ignition
- Aluzinc coating
- Powerful axial fan(s)
- Downflow hood with horizontal louvers
- CE-approval
- **No condensation pipe required**

# Dimensions

- A = Horizontal louvres
- B = Gas connection
- C = Combustion air inlet
- D = Flue gas exhaust
- E = Electrical connection
- F = Axial fan



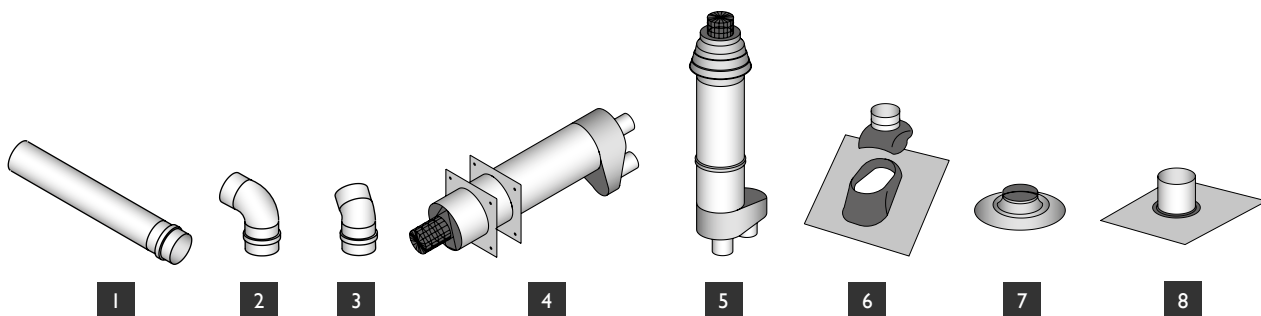
Type	a	b	c	d	e	f	g	h	i	j	k	l	m	n	o	p	q	r	s	u
20	790	760	410	700	40	15	380	210	60	70	560	485	255	70	80	150	120	80	175	1/2" (M)



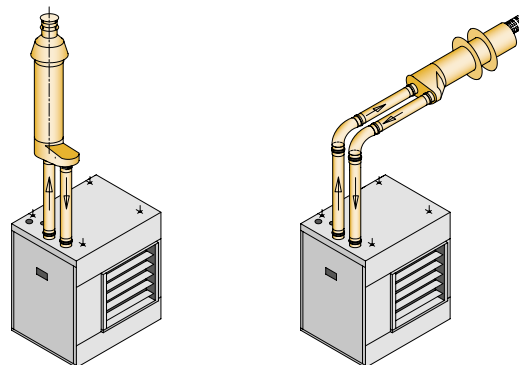
Type	a	b	c	d	e	f	g	h	i	j	k	l	m	n	o	p	q	r	s	u
35	969	875	810	739	35	105	600	165	110	90	560	470	275	120	80	240	120	97	175	3/4" (F)
55	969	1120	810	739	35	105	600	165	110	90	560	715	275	120	100	230	140	97	175	1" (F)
75	969	1305	810	739	35	105	600	165	110	90	560	890	275	120	100	230	140	97	175	1" (F)
90	979	1595	810	739	35	105	600	165	110	90	560	1180	275	120	100	230	140	97	175	1" (F)

Type		20	35	55	75	90
Nominal load (lower value)	kW	18,0	34,9	51,3	72,0	90,0
Nominal load (upper value)	kW	20,0	38,8	57,0	80,0	100,0
Nominal power	kW	16,7	32,7	48,4	67,3	83,9
Flue efficiency (lower value)	%	93,6	94,3	94,9	94,2	93,9
Gas consumption G25 (15°C)	m <sup>3</sup> /h	2,2	4,2	6,19	8,69	10,86
Gas consumption G20 (15°C)	m <sup>3</sup> /h	1,9	3,7	5,43	7,62	9,52
Air displacement (20°C)	m <sup>3</sup> /h	2400	4500	5900	9000	11600
Delta T (ΔT)	K	20,9	21,8	24,6	22,4	21,7
Throw	m	14	28	26	32	36
Weight	kg	50	89	101	123	139
Noise level (5 m, side)	dB(A)	48	48	51	52	52
Electrical power at 230V	W	180	280	370	680	740
Consumed current	A	0,8	1,2	1,7	3,0	3,3

### Accessories – flue gas exhaust

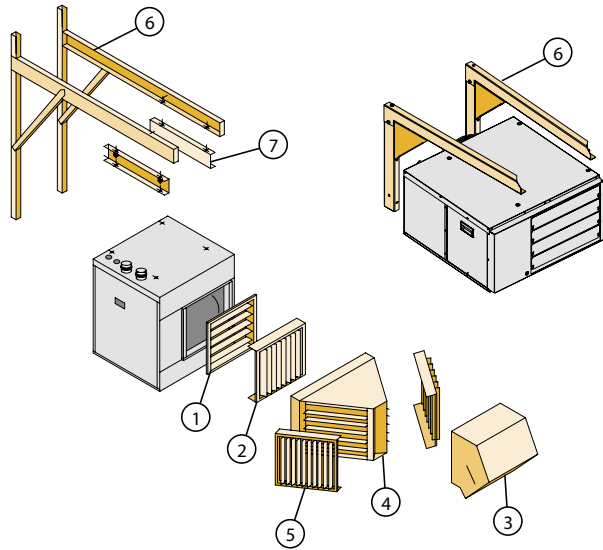


- 1 Extension set
- 2 90° elbow
- 3 45° elbow
- 4 Single flue set horizontal
- 5 Single flue set vertical
- 6 Roof flashing for pitched roof
- 7 Adhesive plate
- 8 Flexible roof flashing for cladded roof

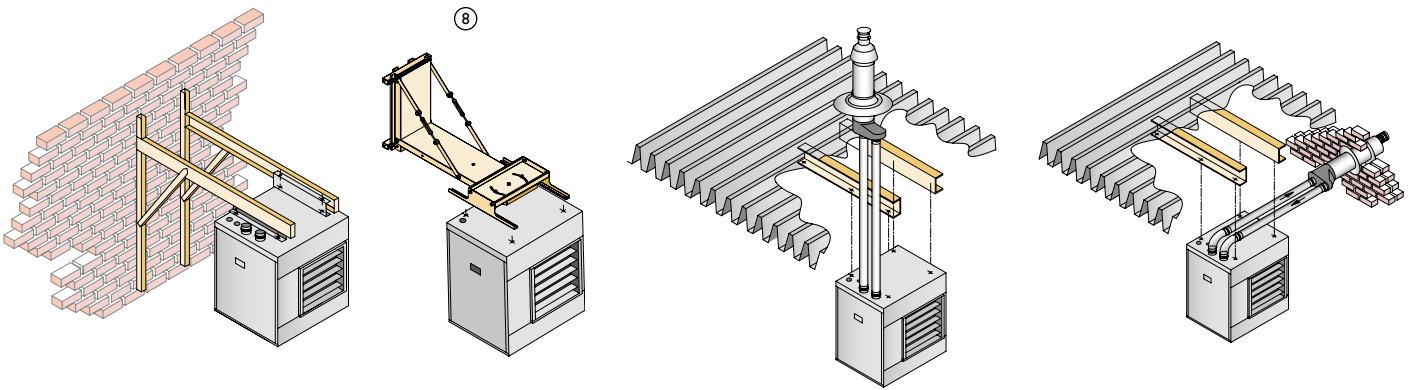


# Accessories – additional sections

- 1 = Horizontal louvers (standard)
- 2 = Vertical louvres
- 3 = Downflow hood 45°
- 4 = Diffuser (2 x 45°) and horizontal louvers
- 5 = Vertical louvres for diffuser
- 6 = Set of wall mounting brackets
- 7 = Shock absorbers set
- 8 = Reversible wall bracket (types 20 - 55)

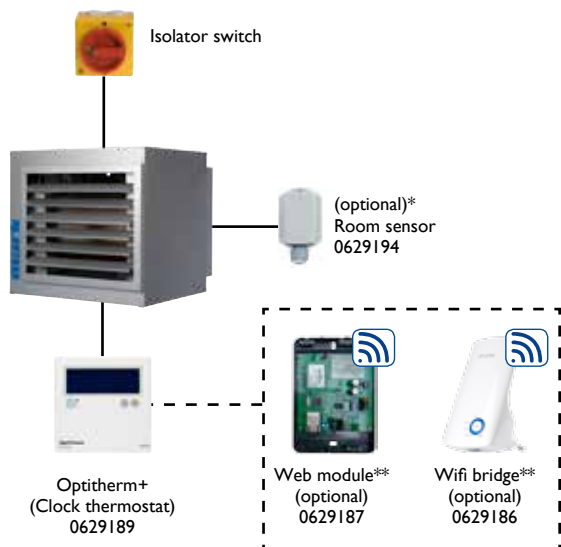


# Assembly/location suggestions



Installation with:

- Optitherm+
- Room temperature control



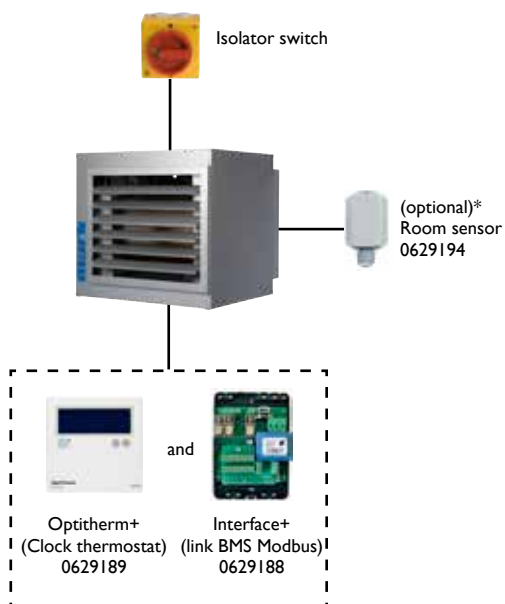
Installation with:

- Interface+
- External signal through potential free contact
- Heating / Continuous ventilation / reset contacts / Modbus reading



Installation with:

- Optitherm+ in combination with Interface+
- Room temperature control in combination with Modbus. Allows you to read the status and change the settings of the Optitherm+.

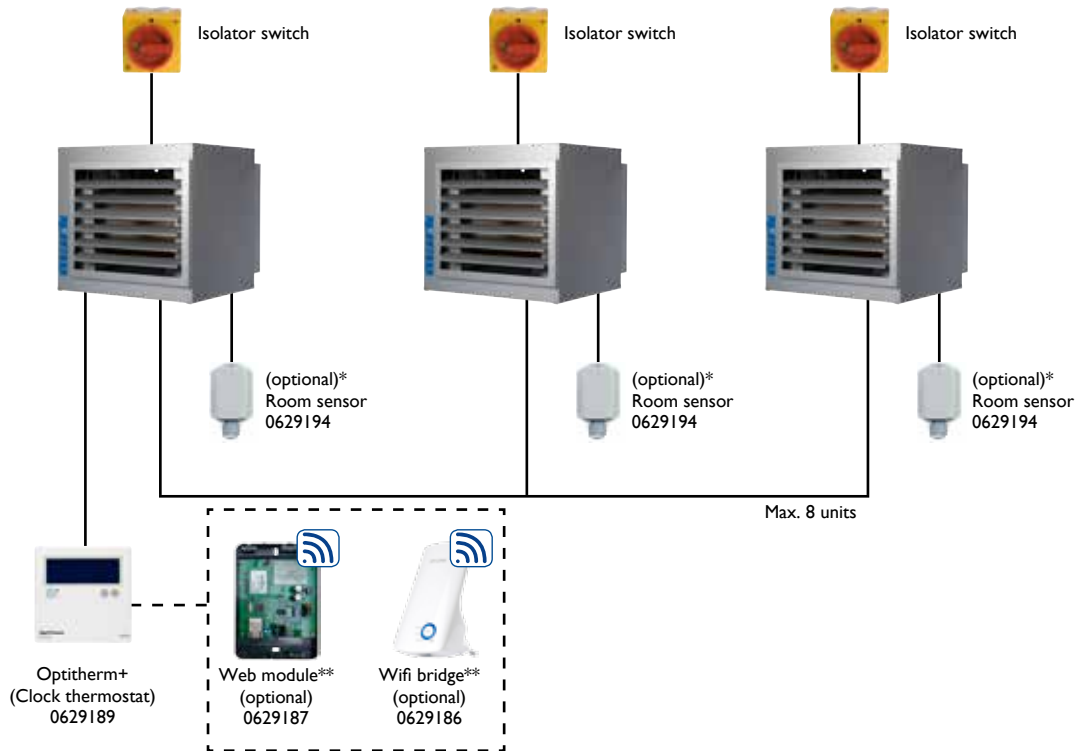


\* Only in combination with Optitherm+

\*\* A remote connection with the mobile phone app is only possible when using a Web module. A WiFi bridge can be added to create a wireless connection (available soon). NOTE: The use of a Web module, possibly in combination with a Wifi bridge, is not possible when using an Interface+.

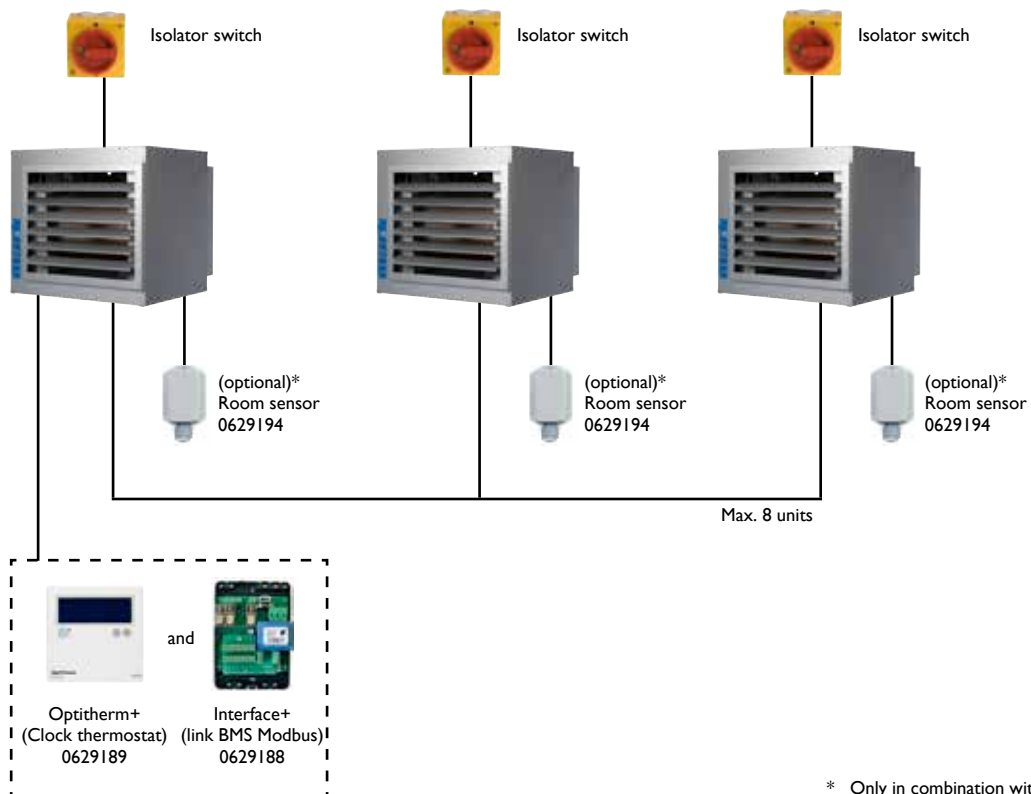
Installation with:

- Optitherm+
- Room temperature control



Installation with:

- Optitherm+ in combination with Interface+
- Room temperature control in combination with Modbus. Allows you to read the status and change the settings of the Optitherm+.



\* Only in combination with Optitherm+

\*\* A remote connection with the mobile phone app is only possible when using a Web module. A WiFi bridge can be added to create a wireless connection (available soon). NOTE: The use of a Web module, possibly in combination with a Wifi bridge, is not possible when using an Interface+.





**mark**<sup>®</sup>  
CLIMATE TECHNOLOGY  
FEELS BETTER, WORKS BETTER  
[WWW.MARKCLIMATE.COM](http://WWW.MARKCLIMATE.COM)

**Distributed by**  
Adremit Limited.  
Unit 5A Commercial Courtyard, Duke Street, Settle,  
North Yorkshire, United Kingdom. BD24 9RH  
T: +44 (0) 1729 824 108  
W: [www.puravent.co.uk](http://www.puravent.co.uk)  
E: [info@puravent.co.uk](mailto:info@puravent.co.uk)

