



## The longest-running product

One of the first activities of Mark was to build an oil- or gas-fired vertical air heater, the FÖHN.

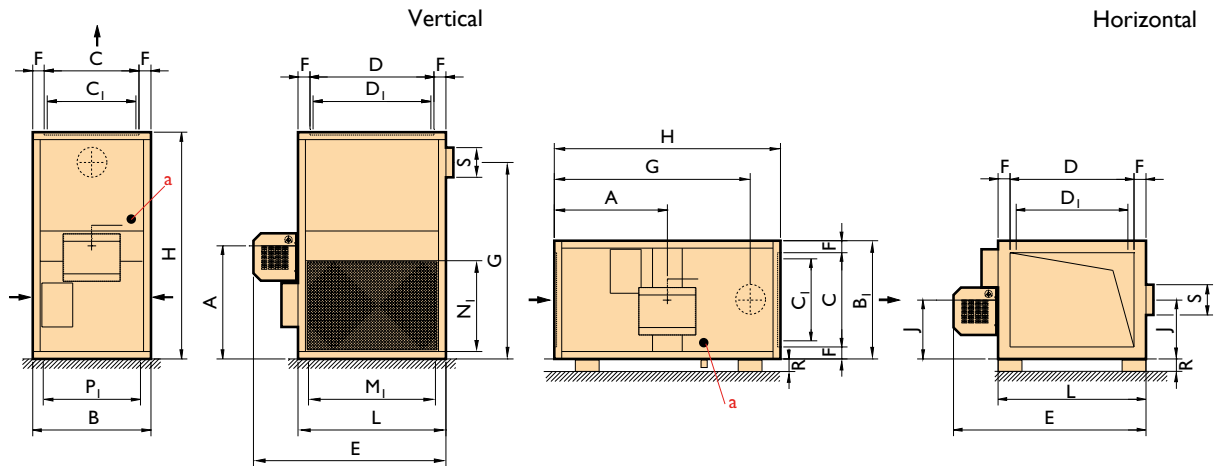
As a result, Mark has already heated 1,500 churches in the Netherlands alone and may therefore be called the specialist in this field. As well as churches, countless other rooms are heated by the Mark FÖHN. If required, Mark supplies this appliance in loose parts for assembly on site by our own service department. The wide range of capacities from 115 to 400 kW means that this appliance can provide a solution for every heating requirement in any room. The Mark FÖHN is fitted with a centrifugal fan as standard and can therefore be connected to a duct system. Free discharge into a room is just one of the possibilities.

### Mark FÖHN features

- Combustion chamber of self-finished steel (stainless steel upon request)
- Heat exchanger of stainless steel
- Supplied with electrical terminal box as standard
- Aluzinc casing
- Burnertype Riello
- Various suction options
- Wide selection of filters
- Fresh air intake possible
- Modulating system fan (option)
- Modulating burner (option)
- Meets the rules of the ErP 2018



Remote connection possible with the PinTherm Connect!



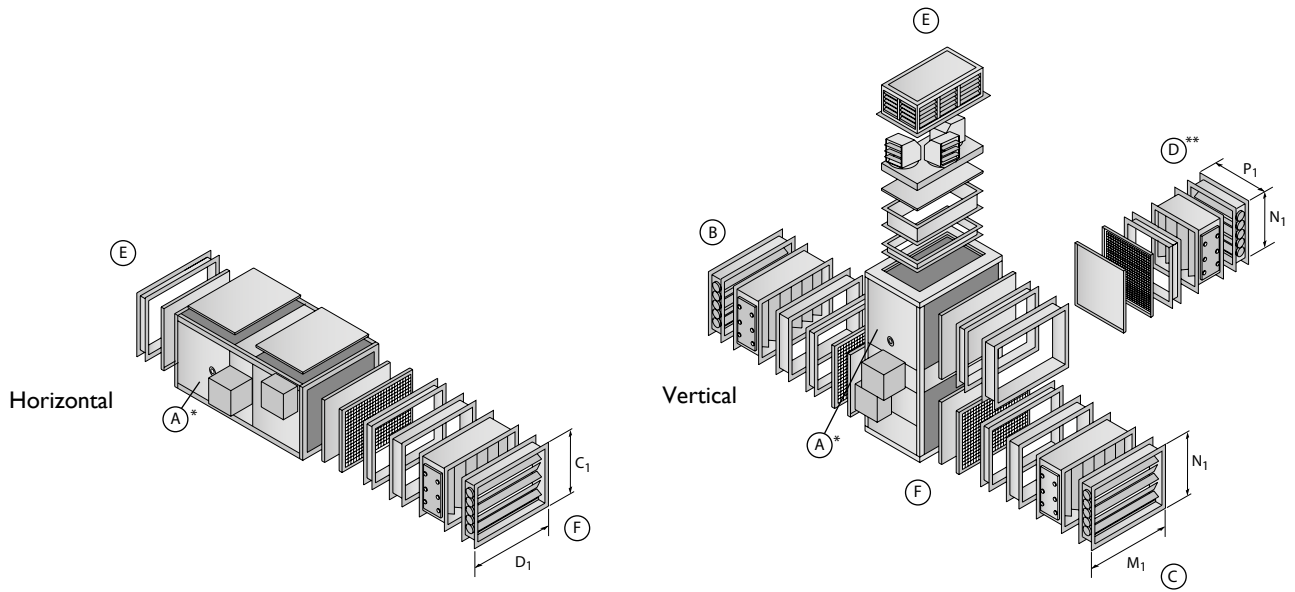
Type	A	B	B1	C	D	E	F	G	H	J	L	R	S
115/160	1150	1200	1200	961	961	1570	119,5	1993	2300	600	1200	100	252
210/270	1150	1200	1200	961	1561	2270	119,5	1993	2300	600	1800	100	302
335	1330	1612	1612	1352	1840	2570	130	2271	2790	806	2100	100	352
400	1330	1612	1612	1352	1840	2570	130	2271	2790	806	2100	100	352

a = Condensation connection 3/4"

## Technical information

Type		115	160	210	270	335	400
Nominal load (lower value)	kW	124,8	170,6	223,9	289,7	364,1	420,8
Nominal power	kW	115	155	210	270	347	400
Air displacement with delta T(ΔT) 35K	m <sup>3</sup> /h	9611	13372	17551	22566	27998	33431
Air displacement with delta T(ΔT) 40K	m <sup>3</sup> /h	8410	11701	15357	19745	24498	29252
Air displacement with delta T(ΔT) 45K	m <sup>3</sup> /h	-	-	13651	17551	21776	26001
Gas consumption G25	m <sup>3</sup> /h	14,7	20,1	26,4	34,1	42,9	49,6
Gas consumption G20	m <sup>3</sup> /h	13,0	17,7	23,3	30,1	37,8	43,7
Gas connection		1 1/4"	1 1/4"	1 1/2"	1 1/2"	2"	2"
Weight	kg	650	780	940	1130	1250	1290
Supply voltage (50Hz)	V	3~400+N	3~400+N	3~400+N	3~400+N	3~400+N	3~400+N

# Accessories – additional sections

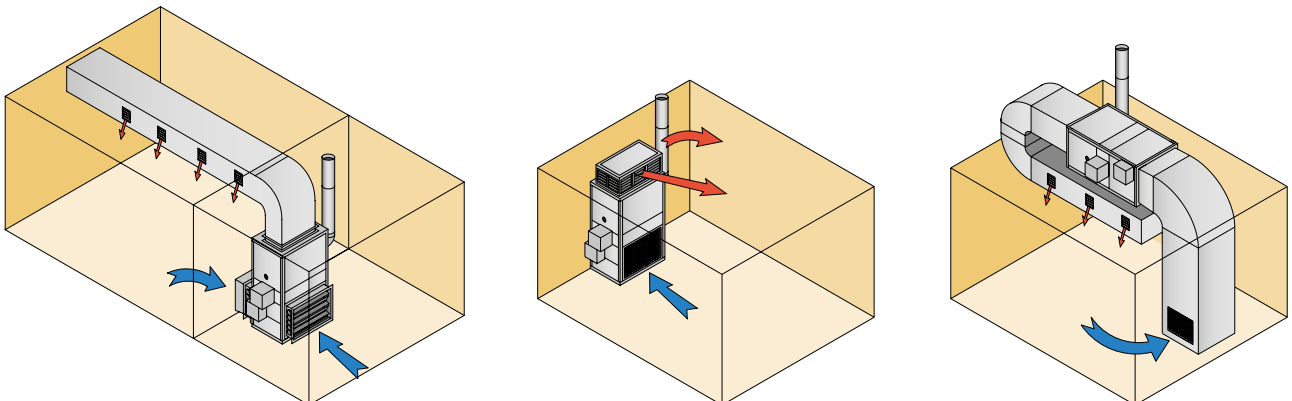


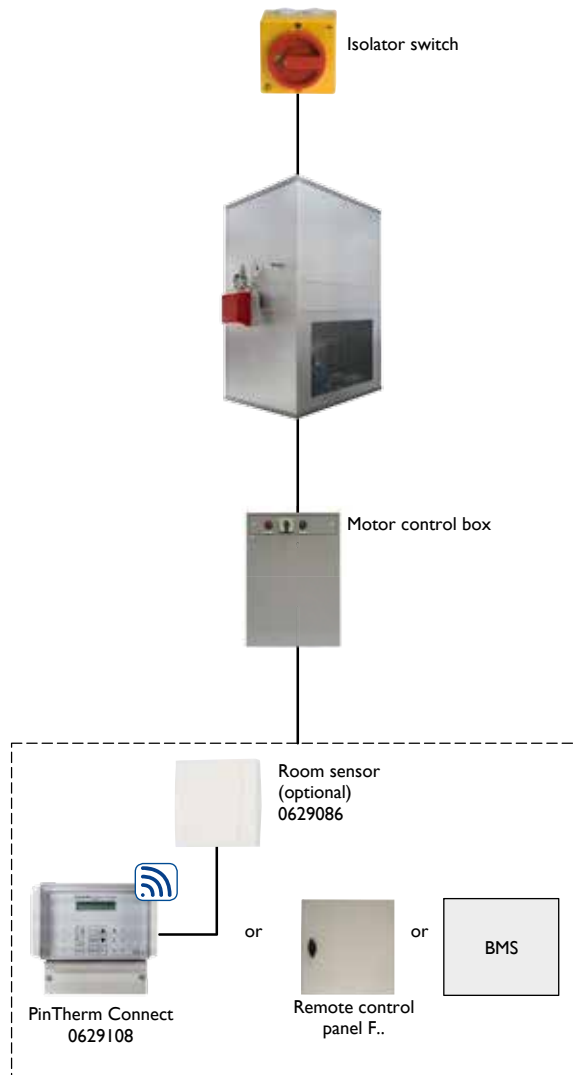
Type	Position A	Position B/C	Position D	Position E/F	Total height including hood
115/160	*	M <sub>1</sub> × N <sub>1</sub> 1015 × 895	P <sub>1</sub> × N <sub>1</sub> 1015 × 895	C <sub>1</sub> × D <sub>1</sub> 895 × 895	H + 525
210/270	*	M <sub>1</sub> × N <sub>1</sub> 1615 × 895	P <sub>1</sub> × N <sub>1</sub> 1015 × 895	C <sub>1</sub> × D <sub>1</sub> 895 × 1495	H + 525
335	*	M <sub>1</sub> × N <sub>1</sub> 1900 × 956	P <sub>1</sub> × N <sub>1</sub> 1412 × 956	C <sub>1</sub> × D <sub>1</sub> 1288 × 1774	H + 552
400	*	M <sub>1</sub> × N <sub>1</sub> 1900 × 956	P <sub>1</sub> × N <sub>1</sub> 1412 × 956	C <sub>1</sub> × D <sub>1</sub> 1288 × 1774	H + 552

\* No additional parts possible on side **A**.

\*\* For Föhn 210, 270, 335 and 400 blast side **D** always in combination with blast side **B** or **C**.

## Assembly/location suggestions







**mark**<sup>®</sup>  
CLIMATE TECHNOLOGY  
FEELS BETTER, WORKS BETTER  
[WWW.MARKCLIMATE.COM](http://WWW.MARKCLIMATE.COM)

**Distributed by**  
Adremit Limited.  
Unit 5A Commercial Courtyard, Duke Street, Settle,  
North Yorkshire, United Kingdom. BD24 9RH  
T: +44 (0) 1729 824 108  
W: [www.puravent.co.uk](http://www.puravent.co.uk)  
E: [info@puravent.co.uk](mailto:info@puravent.co.uk)

