



Electric air heater for effective heating

The TANNER MDE is a hanging electric air heater for permanent use. The unit is equipped with horizontally adjustable discharge blades and can be mounted with the optional wall bracket. The unit has a powerful axial fan, which means that the unit has many applications.

The TANNER MDE is designed for use in showrooms, changing rooms, corporate hallways, ships and garages.

The TANNER MDE can be operated with an external selector switch. The switch has the following positions:

- Ventilation
- Heating high
- Heating low

The unit is equipped with a thermostat connection.

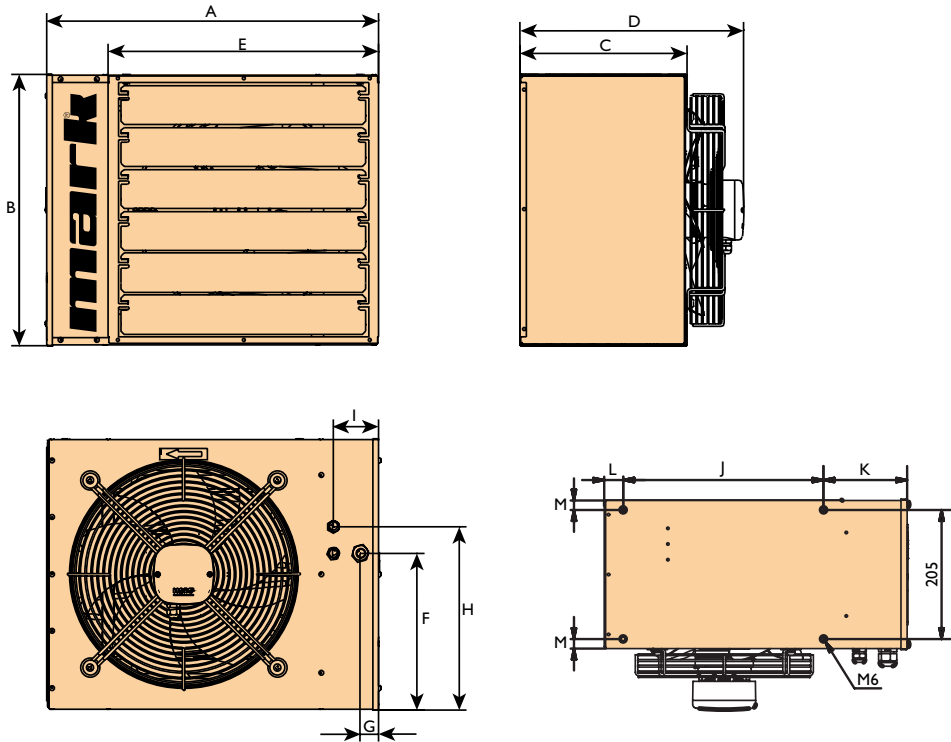
Characteristics:

- Aluzinc housing
- 400V version
- IP 00B
- Long lifetime
- Low noise level
- Integrated electronic thermal protection
- Post-running thermostat for efficient cooling.



Remote connection possible with the PinTherm Infra Connect!

Dimensions

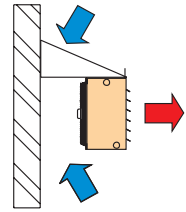


| Type | A | B | C | D | E | F | G | H | I | J | K | L | M |
|------|-----|-----|-----|-----|-----|-----|----|-----|----|-----|-----|-----|----|
| 6 | 480 | 380 | 240 | 330 | 380 | 190 | 30 | 235 | 75 | 318 | 133 | 30 | 15 |
| 9 | 480 | 380 | 240 | 330 | 380 | 190 | 30 | 235 | 75 | 318 | 133 | 30 | 15 |
| 12 | 550 | 450 | 280 | 335 | 450 | 260 | 30 | 305 | 75 | 390 | 133 | 30 | 35 |
| 15 | 550 | 450 | 280 | 335 | 450 | 260 | 30 | 305 | 75 | 390 | 133 | 30 | 35 |
| 24 | 660 | 570 | 300 | 440 | 550 | 290 | 30 | 330 | 75 | 390 | 195 | 78 | 45 |
| 30 | 660 | 570 | 300 | 440 | 550 | 290 | 30 | 330 | 75 | 390 | 195 | 78 | 45 |
| 42 | 660 | 570 | 300 | 440 | 550 | 290 | 40 | 330 | 85 | 390 | 195 | 78 | 45 |
| 51 | 830 | 730 | 350 | 490 | 715 | 450 | 40 | 530 | 85 | 390 | 277 | 164 | 73 |

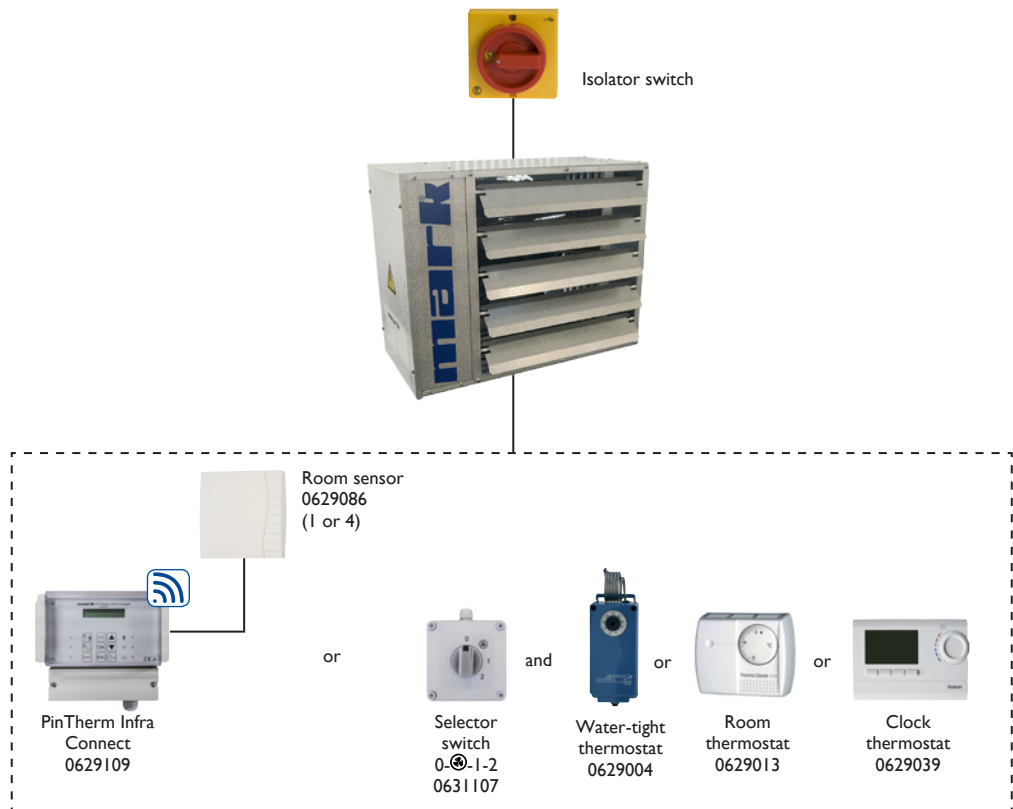
Technical information

| Type | | 6 | 9 | 12 | 15 | 24 | 30 | 42 | 51 |
|-----------------------|-------------------|-------------|-------------|-------------|-------------|-------------|-------------|-------------|-------------|
| Nominal power | kW | 6 | 9 | 12 | 15 | 24 | 30 | 42 | 51 |
| Power steps | kW | 3+3 | 4,5+4,5 | 6+6 | 9+6 | 12+12 | 15+15 | 24+18 | 24+27 |
| Supply voltage (50Hz) | V | 3x400V+N+PE | 3x400V+N+PE | 3x400V+N+PE | 3x400V+N+PE | 3x400V+N+PE | 3x400V+N+PE | 3x400V+N+PE | 3x400V+N+PE |
| Consumed current | A | 8,7 | 13,0 | 17,3 | 21,7 | 35,7 | 43,4 | 60,7 | 73,7 |
| Air displacement | m ³ /h | 800 | 800 | 1600 | 1600 | 2800 | 2800 | 2800 | 6495 |
| Speed | rpm | 1400 | 1400 | 1000 | 1000 | 1000 | 1000 | 1400 | 1000 |
| Delta T (ΔT) | K | 22,5 | 33,8 | 22,6 | 28,2 | 25,7 | 32,1 | 28,3 | 23,6 |
| Weight | kg | 10 | 12 | 15 | 18 | 22 | 24 | 27 | 30 |
| Noise at 5 m | dB(A) | 38 | 38 | 48 | 48 | 50 | 50 | 50 | 52 |
| Throw | m | 8 | 8 | 12 | 12 | 17 | 17 | 20 | 25 |
| Protection class | IP | 00B | 00B | 00B | 00B | 00B | 00B | 00B | 00B |

Assembly/location suggestions



Controls





mark[®]
CLIMATE TECHNOLOGY
FEELS BETTER, WORKS BETTER
WWW.MARKCLIMATE.COM

Distributed by
Adremit Limited.
Unit 5A Commercial Courtyard, Duke Street, Settle,
North Yorkshire, United Kingdom. BD24 9RH
T: +44 (0) 1729 824 108
W: www.puravent.co.uk
E: info@puravent.co.uk

