

Duct hot water heater

The TANNER MD water-supplied air heater should be located directly in a duct to (post) heat intake air. The MD is available in a wide range of capacities ranging from 14,5 to 117 kW.

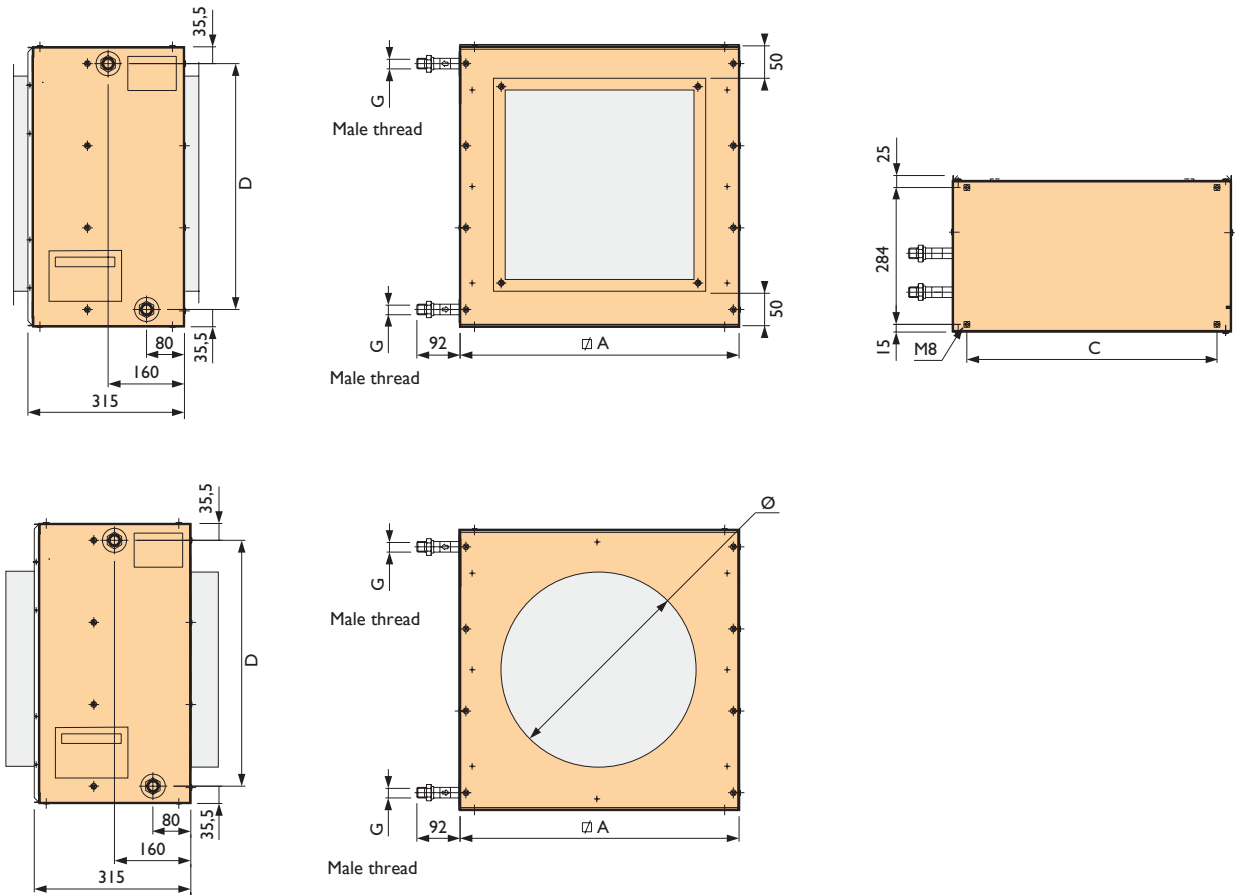
Features

- Manufactured with a corrosion-resistant aluzinc housing as standard
- Copper/aluminium heat exchanger

The round version is optionally available with rubber sealing.

See Tanner MDA for technical specifications.

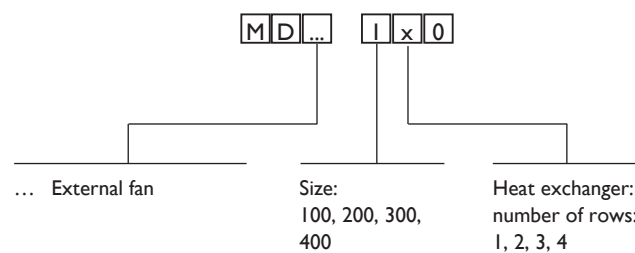
Dimensions



| Type | A | C | D | 1R | 2R | G | | Ø |
|------|-----|-----|-----|----|--------|--------|--------|---------|
| 100 | 450 | 387 | 379 | 1" | 1" | 1" | 1" | 315/400 |
| 200 | 580 | 517 | 509 | 1" | 1" | 1" | 1" | 450/500 |
| 300 | 730 | 667 | 659 | 1" | 1" | 1 1/4" | 1 1/4" | 600/630 |
| 400 | 860 | 797 | 789 | 1" | 1 1/4" | 1 1/2" | 1 1/2" | 710 |

Technical information

TYPE DESIGNATION



See Tanner MDA tables on pages 44/45 for heat delivery.



mark[®]
CLIMATE TECHNOLOGY
FEELS BETTER, WORKS BETTER
WWW.MARKCLIMATE.COM

Distributed by
Adremit Limited.
Unit 5A Commercial Courtyard, Duke Street, Settle,
North Yorkshire, United Kingdom. BD24 9RH
T: +44 (0) 1729 824 108
W: www.puravent.co.uk
E: info@puravent.co.uk

