



Silent and low maintenance air distributor

The ECOFAN P is particularly suited to better distributing hot air in a room. Achieving better distribution of air can reduce heating bills.

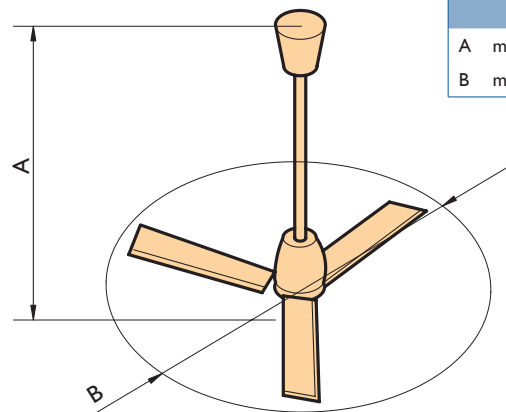
The ECOFAN P120 is supplied with a 3-position control as standard. The ECOFAN P140 is supplied without a position control. A reverse operating thermostat can also be supplied as an option so that the unit is switched on automatically if the temperature below the ceiling rises.

Possible applications include: factories, schools, churches, shops and offices.

Features of the Mark ECOFAN P

- Large air displacement
- Supplied in RAL 9010 colour as standard
- Low noise
- Efficient

Dimensions

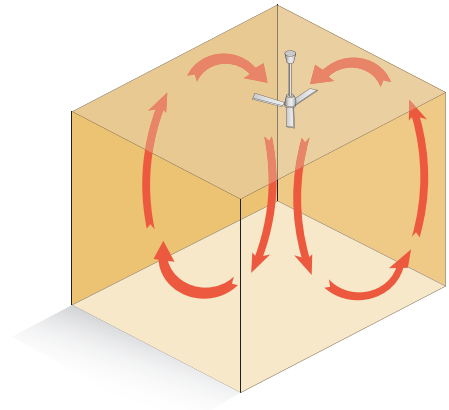


	P120	P140
A mm	500	630
B mm	1200	1400

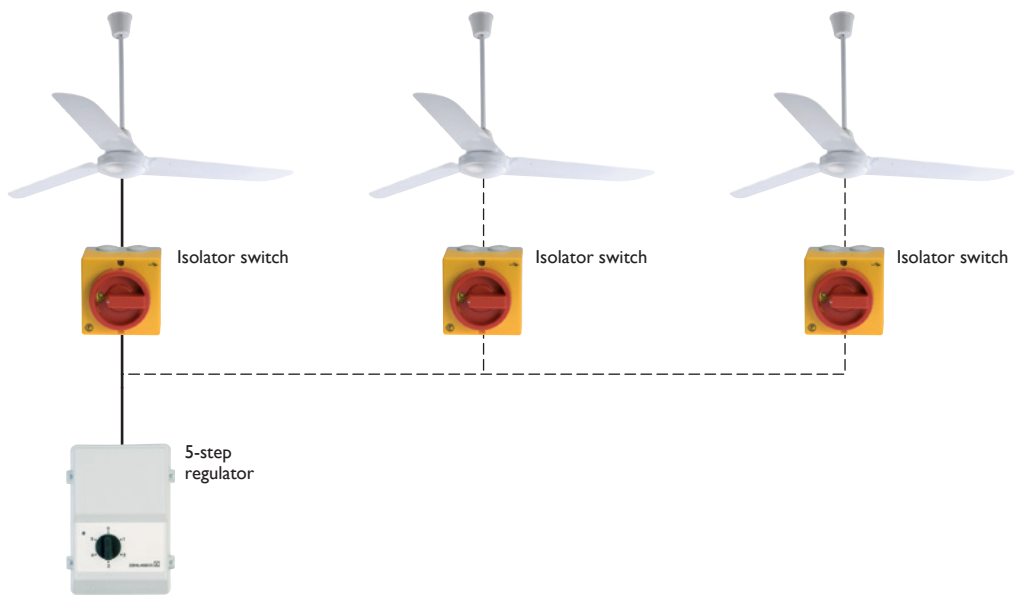
Technical information

Type		P120	P140
Air displacement	m ³ /h	18.000	22.000
Motor rating	W	65	70
Consumed current	A	0,5	0.43
Motor speed	min ⁻¹	290	290
ø Fan	mm	1220	1420
Supply voltage (50Hz)	V	220-240	1~230
Weight	kg	4,4	9,5
Suspension height	m	4-7	4-9

- Number of fans
- Number of fans per 1000 m²: 12
 - Covered m² per fan: 83



Controls





mark[®]
CLIMATE TECHNOLOGY
FEELS BETTER, WORKS BETTER
WWW.MARKCLIMATE.COM

Distributed by
Adremit Limited.
Unit 5A Commercial Courtyard, Duke Street, Settle,
North Yorkshire, United Kingdom. BD24 9RH
T: +44 (0) 1729 824 108
W: www.puravent.co.uk
E: info@puravent.co.uk

