

www.ecopacpower.co.uk



Catalogue 2018

LED Power Supplies

Lighting Your World



Ecopac (UK) Power Ltd
Unit 4 Ridgeway, Crendon Industrial Area Long Crendon, Bucks HP18 9BF
Tel: +44 (0) 1844 204420, Fax +44 (0) 1844 204421
www.ecopacpower.co.uk

Our new product lines

Welcome
to
Ecopac Power

Lighting your world



Dimmable

Mains

5 - 18

DALI

19 - 26

1-10V

27 - 34



Line Type

35 - 44



Low Profile

45 - 58



IP67

59 - 66



Accessories/Interfaces

67 - 78



Our promise

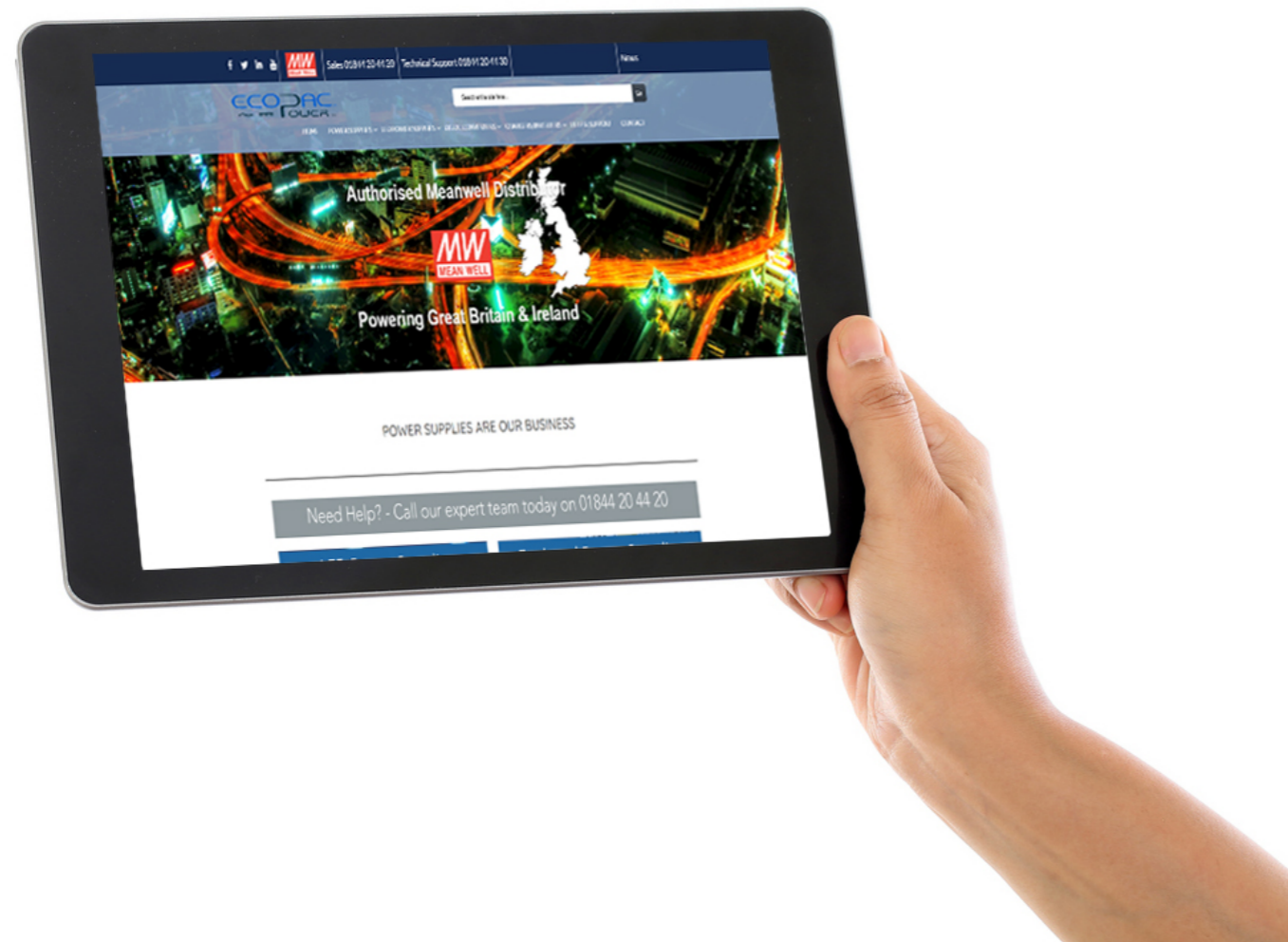
To supply the highest quality LED Power Supplies with excellent before and after customer service.

History

Founded in 1995, Ecopac (UK) Power Ltd has had many years' trading experience, with outstanding performance in the LED Driver market place growing year on year. We launched our own range of LED drivers to fill gaps within the UK market and to compliment the broad Mean Well portfolio already offered.

Ecopac Power offers the UK's largest range of LED power supplies, with products starting at 4 Watts up to 600 Watts, with various dimensions, IP rating and dimming capabilities (DALI, 1-10v, Triac etc.)

Ecopac Power have over £2M worth of stock here in the UK available for next day delivery and provide an unrivalled technical service on LED power supplies to all of our customers, this ensures that all our customers are up to date on the ever changing LED industry.



This catalogue is not your only source: www.ecopacpower.co.uk

www.ecopacpower.co.uk will provide you with a further source of information. Here you can access information on all products: product data, visualizations and downloads. Whether you are looking for technical data or new products - our regularly updated website will provide you with all the information you need. You also have the opportunity to view some interesting projects, subscribe to our Newsletter, widen your knowledge, and get to know our strengths.

How to order

To order products please call us on 01844 204420. We currently do not sell products directly online as we are a family run business which always like to understand the customers requirements and throughout our 20 plus years experience this has been the most effective and satisfying in building customer relationships and giving the best possible service.

Important

	Federal Communications Commission
	UL mark for Canada and US
	CE mark of conformity
	The transformer complies with European Regulation, in general situation, could mount on or in furniture and cabinet
	Flammable marks
	International mark for independent converter
	International mark for protection II
SELV	International mark for transformers of converters (safety extra-low voltage)
	The surface temperature of Transformer/ballast will be not more than 110°C on the condition of overload or short circuit
	C-Tick Compliant
	US and Canada UL approved

Test standard for electronic control

EN6 1347-1	General safety requirements
EN6 1347-2-2	Safety requirements for step down converters for filament lamps
EN6 1347-2-3	Safety requirements for electronic ballast
EN6 1347-2-13	Particular requirements for d.c.or a.c.supplied electronic control gear for LED modules
EN60929	Performance requirements for electronic ballast
EN55015	Limits and methods of measurements of radio interference characteristics of lights
EN61547	EMC immunity requirements for lighting purposes equipment
EN61000-3-2	Limits for harmonic current emissions
EN61000-3-3	Limitations of voltage fluctuations and flicker
FCC PART 15	Wireless Access interference measurement standards
UL 8750	LED Equipment for use in lighting products (Class 2)
UL 1310	Class 2 power units
EN 62493-2010	Assessment of lighting equipment related to human Exposure to electromagnetic fields
DoE VI CoC V	Efficiency Standards for External Power Supplies



Dimmable LED Power Supply

- Constant Voltage
- Constant Current

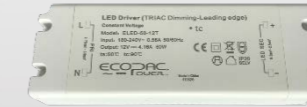
Triac Dimmable Series

Ecopac Triac Dimmable LED Power Supply is a perfect solution for :

- Dimming Led lighting
- Retro fit



ELED-25-T
Page 7



ELED-50-T
Page 8



ELED-80-T
Page 9



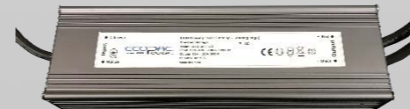
ELED-100-T
Page 10



ELED-150-T
Page 11



ELED-200-T
Page 12



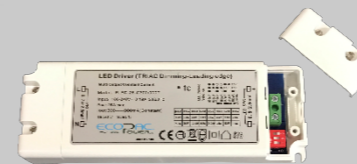
ELED-300T
Page 13



ELED-360T
Coming Soon



ELED-15-C150/700T
Page 15



ELED-25-C300/900T
Page 16



ELED-50-C700/1400T
Page 17

MAINS Dimmable LED Power Supplies

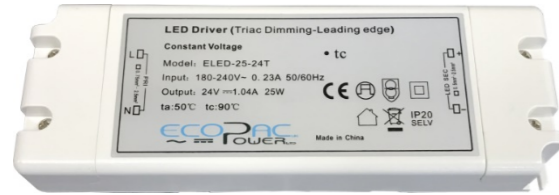
ELED-25-T

CV Version

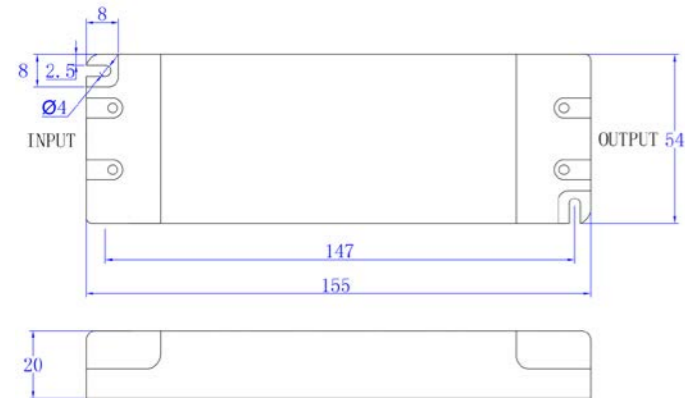
Technical Data

- Rated Input Voltage: 180-240 VAC.
- Works with leading edge TRIAC dimmers.
- Output Power : 25W
- 10-100% Load required for dimming
- PWM output

Safety According to EN61347-1 , EN61347-2-13
EMI According to EN55015
EMS According to EN61000-3-2 ; EN61000-3-3 ;



Dimension in mm



Characteristics

Rated input voltage: AC180- 240V 47/63 Hz (power factor measured at AC220V and full load)

Model No.	Constant output Voltage	Load	Max output Current	PF	Min	Max	L x W x H
ELED-25-12T	12V	0-25W	2.08A	>0.65	-40°C	60°C	155x54x20
ELED-25-24T	24V	0-25W	1.04A	>0.65	-40°C	60°C	155x54x20



ELED-50-T

CV Version

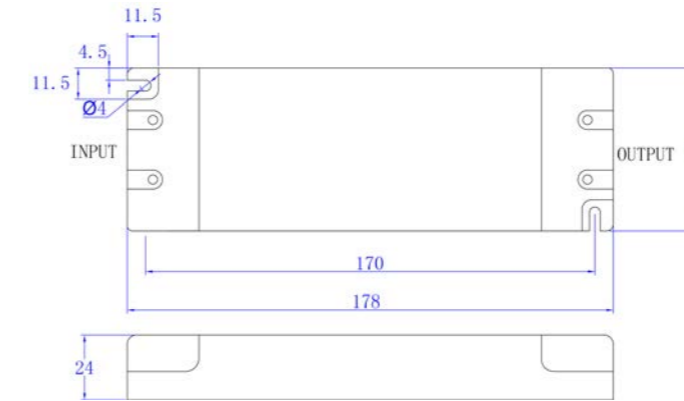
Technical Data

- Rated Input Voltage: 180-240 VAC.
- Works with leading edge TRIAC dimmers.
- Output Power : 50W
- 10-100% Load required for dimming
- PWM output

Safety According to EN61347-1 , EN61347-2-13
EMI According to EN55015
EMS According to EN61000-3-2 ; EN61000-3-3 ;



Dimension in mm



Characteristics

Rated input voltage: AC180-240V 50/60 Hz [power factor measured at AC230V and full load]

Model No.	Constant output Voltage	Load	Max output Current	PF	Min	Max	L x W x H
ELED-50-12T	12V	0-50W	4.17A	>0.65	-40°C	60°C	178x61x24
ELED-50-24T	24V	0-50W	2.08A	>0.65	-40°C	60°C	178x61x24



MAINS Dimmable LED Power Supplies

ELED-80-T

CV Version

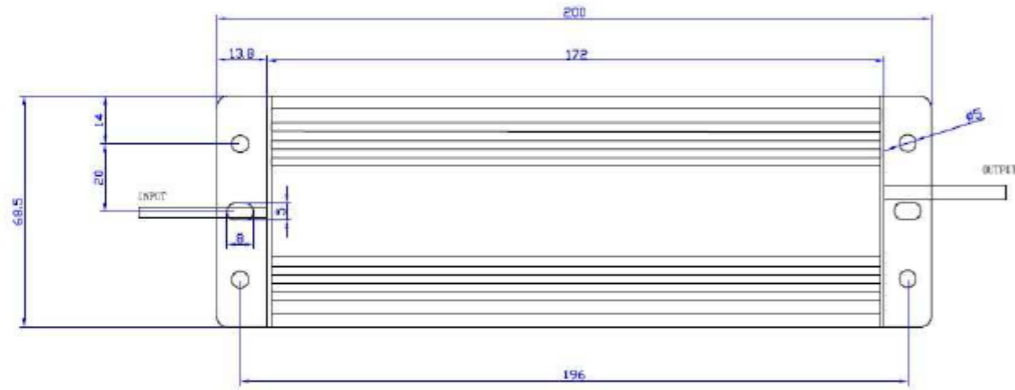
Technical Data

- Rated Input Voltage: 180-264 VAC.
- Works with trailing edge TRIAC dimmers.
- Short Circuit; Over Load/ Short Circuit/ Over Voltage.
- 70-100% Load required for dimming
- Output Power : 80W

Safety According to EN61950-1
EMI According to EN55015
EMS According to EN61000-3-2



Dimension in mm



Characteristics

Rated input voltage: AC180 - 264V 47/63 Hz (power factor measured at AC220V and full load)

Model No.	Constant output Voltage	Load	Max output Current	PF	Min	Max	L x W x H
ELED-80-12T	12V	0-80W	6.66A	>0.95	-40°C	60°C	200x68.5x43
ELED-80-24T	24V	0-80W	3.33A	>0.95	-40°C	60°C	200x68.5x43



ELED-100-T

CV Version

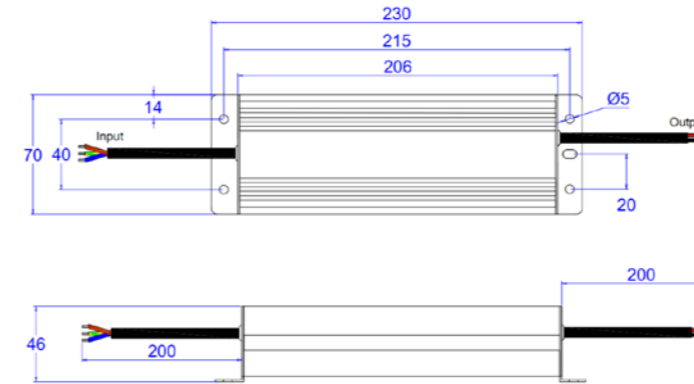
Technical Data

- Rated Input Voltage: 180-264 VAC.
- Works with leading edge TRIAC dimmers.
- 10-100% Load required for dimming
- Short Circuit; Over Load/ Short Circuit
- Output Power : 100W

Safety According to EN61347-1 , EN61347-2-13
EMI According to EN55015
EMS According to EN61000-3-2



Dimension in mm



Characteristics

Rated input voltage: AC180-264V 47/63 Hz [power factor measured at AC220V and full load]

Model No.	Constant output Voltage	Load	Max output Current	PF	Min	Max	L x W x H
ELED-100-12T	12V	0-100W	8.3A	>0.60	-40°C	60°C	230x70x46
ELED-100-24T	24V	0-100W	4.16A	>0.60	-40°C	60°C	230x70x46



MAINS Dimmable LED Power Supplies

ELED-150-T

CV Version

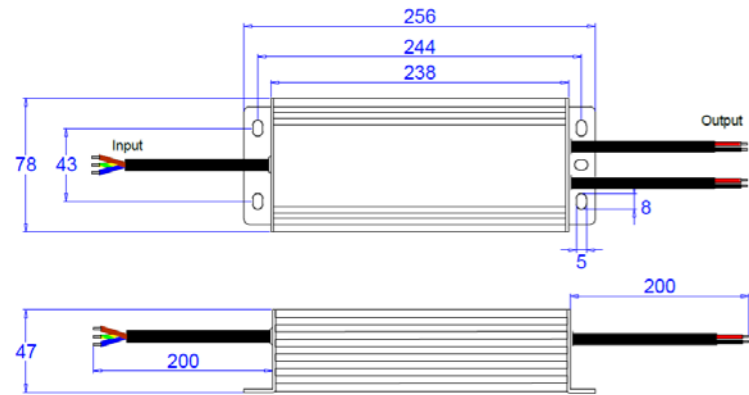
Technical Data

- Rated Input Voltage: 180-240 VAC.
- Works with leading edge TRIAC dimmers.
- 10-100% Load required for dimming
- PWM Output
- Output Power : 150W

Safety According to EN61347-1 , EN61347-2-13
EMI According to EN55015
EMS According to EN61000-3-2



Dimension in mm



Characteristics

Rated input voltage: AC180 - 240V 47/63 Hz (power factor measured at AC220V and full load)

Model No.	Constant output Voltage	Load	Max output Current	PF	Min	Max	L x W x H
ELED-150-12T	12V	0-150W	12.5A	>0.60	-40°C	60°C	256x78x47
ELED-150-24T	24V	0-150W	6.25A	>0.60	-40°C	60°C	256x78x47



ELED-200-T

CV Version

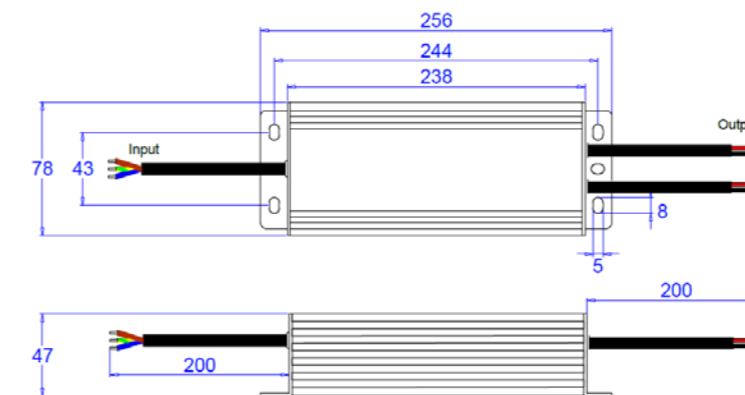
Technical Data

- Rated Input Voltage: 180-264 VAC.
- Works with leading edge TRIAC dimmers.
- 10-100% Load required for dimming
- PWM Output
- Output Power : 200W

Safety According to EN61347-2-13
EMI According to EN55015
EMS According to EN61000-3-2



Dimension in mm



Characteristics

Rated input voltage: AC180-264V 47/63 Hz [power factor measured at AC220V and full load]

Model No.	Constant output Voltage	Load	Max output Current	PF	Min	Max	L x W x H
ELED-200-12T	12V	0-200W	16.67A	>0.60	-40°C	60°C	256x78x47
ELED-200-24T	24V	0-200W	8.33A	>0.60	-40°C	60°C	256x78x47



MAINS Dimmable LED Power Supplies

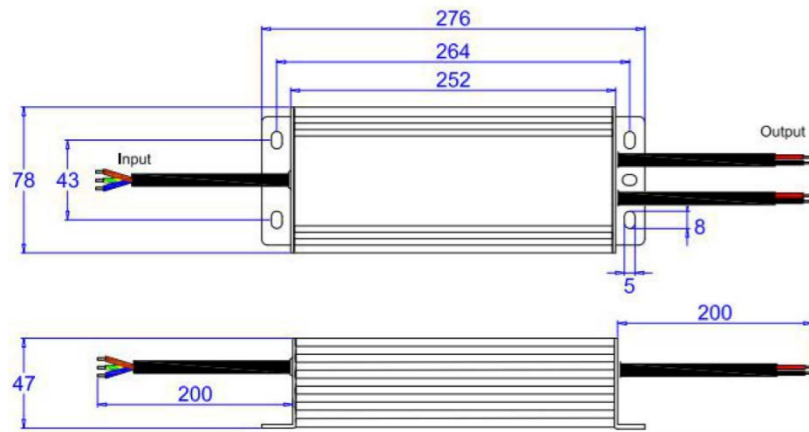
ELED-300-T
CV Version

Technical Data

- Rated Input Voltage: 180-240 VAC.
- Works with leading edge TRIAC dimmers.
- Short Circuit; Over Load/ Short Circuit/ Over Current.
- 10-100% Load required for dimming
- PWM Output
- Output Power : 300W
- Safety According to EN61347-2-13
- EMI According to EN55015
- EMS According to EN61000-3-2



Dimension in mm



Characteristics

Rated input voltage: AC180 - 240V 47/63 Hz (power factor measured at AC230V and full load)

Model No.	Constant output Voltage	Load	Max output Current	PF	Min	Max	L x W x H
ELED-300-12T	12V	0-300W	25A	>0.98	-40°C	60°C	276x78x47
ELED-300-24T	24V	0-300W	12.5A	>0.98	-40°C	60°C	276x78x47



MAINS Dimmable LED Power Supplies

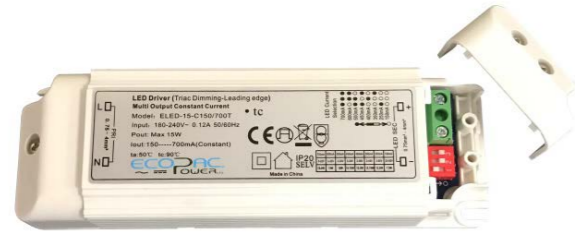
ELED-15-C150/700T

CC Version

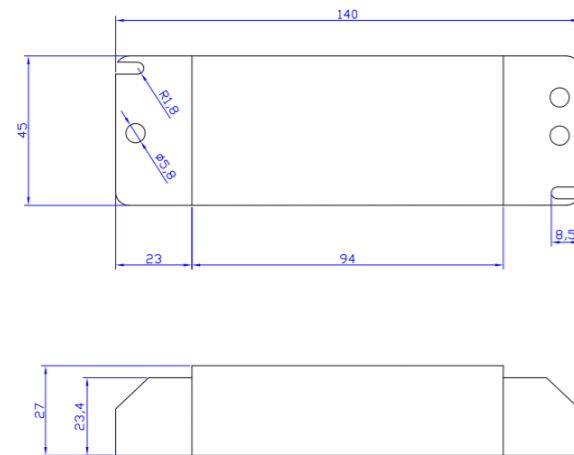
Technical Data

- Rated Input Voltage: 180-240 VAC.
- Works with leading edge TRIAC dimmers.
- Short Circuit; Over Load/ Short Circuit/ Over Voltage.
- Output Power : 15W

Safety According to EN61347-1 , EN61347-2-13
EMI According to EN55015
EMS According to EN61000-3-2 ; EN61000-3-3



Dimension in mm



Characteristics

Rated input voltage: AC180 - 240V 47/63 Hz (power factor measured at AC220V and full load)

Model No.	Constant output Current	Load	Voltage Range	PF	Min	Max	L x W x H
ELED-15-C150/700T	150mA	3-7.5W	3-50V	>0.65	-40°C	60°C	140x45x27
	250mA	1-12.5W	3-50V	>0.65	-40°C	60°C	140x45x27
	350mA	1-15.75W	3-45V	>0.65	-40°C	60°C	140x45x27
	400mA	1.2-14.8W	3-37V	>0.65	-40°C	60°C	140x45x27
	450mA	1.3-14.85W	3-33V	>0.65	-40°C	60°C	140x45x27
	500mA	1.5-15W	3-30V	>0.65	-40°C	60°C	140x45x27
	600mA	1.8-15W	3-25V	>0.65	-40°C	60°C	140x45x27
	700mA	2.1-15.4W	3-22V	>0.65	-40°C	60°C	140x45x27



ELED-25-C300/900T

CC Version

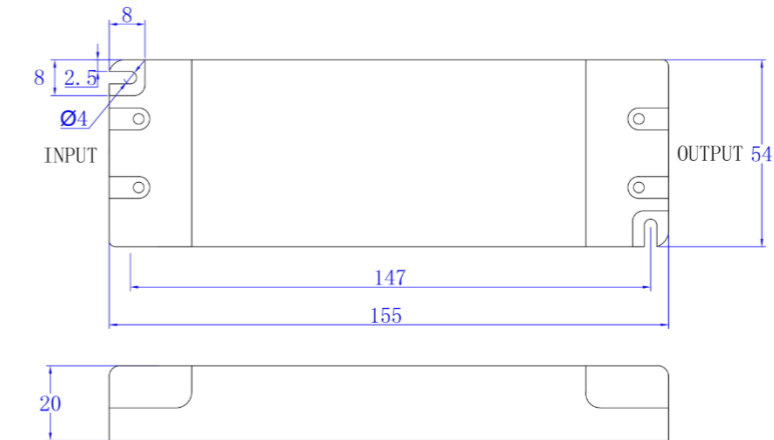
Technical Data

- Rated Input Voltage: 180-240 VAC.
- Works with leading edge TRIAC dimmers.
- Short Circuit; Over Load/ Short Circuit/ Over Voltage.
- Output Power : 25W

Safety According to EN61347-1 , EN61347-2-13
EMI According to EN55015
EMS According to EN61000-3-2 ; EN61000-3-3



Dimension in mm



Characteristics

Rated input voltage: AC180-264V 47/63 Hz [power factor measured at AC220V and full load]

Model No.	Constant output Current	Load	Voltage Range	PF	Min	Max	L x W x H
ELED-25-C300/900T	300mA	2.7-15W	3-50V	>0.65	-40°C	60°C	155x54x20
	350mA	2.55-17.5W	3-50V	>0.65	-40°C	60°C	155x54x20
	500mA	1.5-25W	3-50V	>0.65	-40°C	60°C	155x54x20
	550mA	1.65-22.5W	3-45V	>0.65	-40°C	60°C	155x54x20
	650mA	1.95-24.7W	3-38V	>0.65	-40°C	60°C	155x54x20
	700mA	2.1-24.5W	3-35V	>0.65	-40°C	60°C	155x54x20
	850mA	2.55-25.5W	3-30V	>0.65	-40°C	60°C	155x54x20
	900mA	2.7-25.2W	3-28V	>0.65	-40°C	60°C	155x54x20



MAINS Dimmable LED Power Supplies

ELED-50-C700/1400T

CC Version

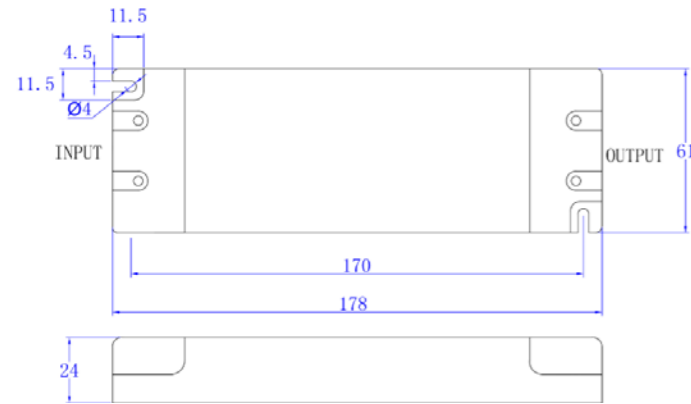
Technical Data

- Rated Input Voltage: 180-240 VAC.
 - Works with leading edge TRIAC dimmers.
- Short Circuit; Over Load/ Short Circuit/ Over Voltage.
- Output Power : 50W

Safety According to EN61347-1 , EN61347-2-13
EMI According to EN55015
EMS According to EN61000-3-2 ; EN61000-3-3



Dimension in mm



Characteristics

Rated input voltage: AC180 - 240V 47/63 Hz (power factor measured at AC220V and full load)

Model No.	Constant output Current	Load	Voltage Range	PF	Min	Max	L x W x H
ELED-50-C700/1400T	700mA	7 - 35W	10-50V	>0.65	-40°C	60°C	178x61x24
	850mA	8.5 - 42.5W	10-50V	>0.65	-40°C	60°C	178x61x24
	900mA	9 - 45W	10-50V	>0.65	-40°C	60°C	178x61x24
	1050mA	10.5 - 50.4W	10-48V	>0.65	-40°C	60°C	178x61x24
	1200mA	12 - 50.4W	10-42V	>0.65	-40°C	60°C	178x61x24
	1250mA	12.5 - 50W	10-40V	>0.65	-40°C	60°C	178x61x24
	1400mA	14 - 50.4W	10-36V	>0.65	-40°C	60°C	178x61x24





DALI Dimmable LED Power Supply

- Constant Voltage
- Constant Current

DALI Dimmable Series

Ecopac DALI Dimmable LED Power Supply is a perfect solution for :

- Smart homes
- Dimming



ELED-25-D
Page 21



ELED-50-D
Page 22



ELED-60-D
Page 23



ELED-100-D
Page 24



ELED-180-D
Page 25



ELED-200-D
Page 25



ELED-300-D
Coming Soon



ELED-360-D
Coming Soon



ELED-20-D
Page 26

DALI Dimmable LED Power Supplies

ELED-25-D

CV Version

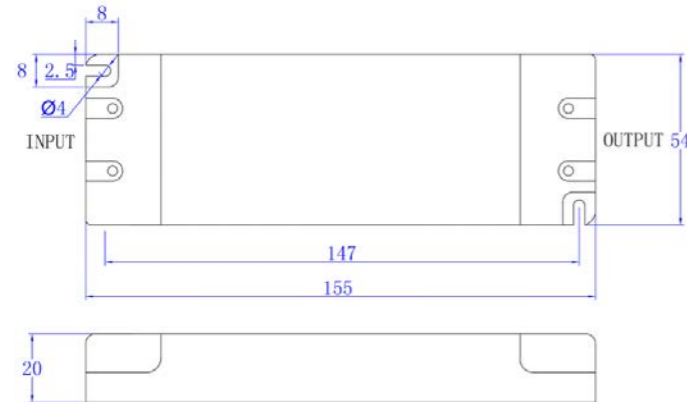
Technical Data

- Rated Input Voltage: 100-265 VAC.
- Works with DALI dimmers.
- Short Circuit; Over Load/ Short Circuit/ Over Voltage.
- Output Power : 25W

Safety According to EN61347-1 , EN61347-2-13
EMI According to EN55015
EMS According to EN61000-3-2



Dimension in mm



Characteristics

Rated input voltage: AC100 - 265V 47/63 Hz (power factor measured at AC120V and full load)

Model No.	Constant output Voltage	Load	Max output Current	PF	Min	Max	L x W x H
ELED-25-12D	12V	0-25W	2.08A	>0.9	-40°C	60°C	155x54x20
ELED-25-24D	24V	0-25W	1.04A	>0.9	-40°C	60°C	155x54x20



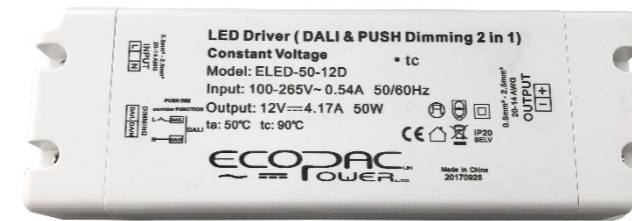
ELED-50-D

CV Version

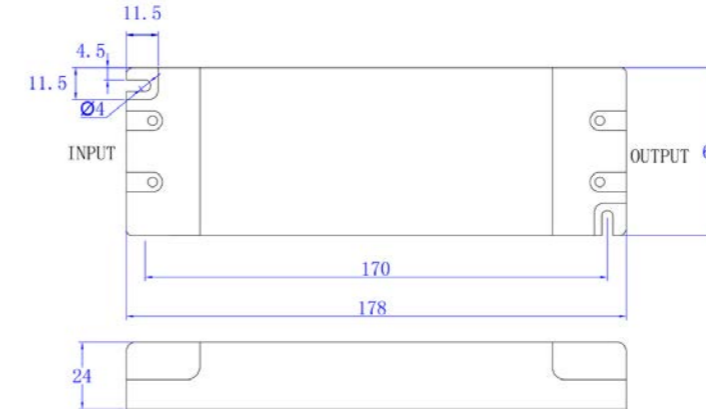
Technical Data

- Rated Input Voltage: 100-265 VAC.
- Works with DALI dimmers.
- Short Circuit; Over Load/ Short Circuit/ Over Voltage.
- Output Power : 50W

Safety According to EN61347-1 , EN61347-2-13
EMI According to EN55015
EMS According to EN61000-3-2



Dimension in mm



Characteristics

Rated input voltage: AC100-265V 47/63 Hz [power factor measured at AC120V and full load]

Model No.	Constant output Voltage	Load	Max output Current	PF	Min	Max	L x W x H
ELED-50-12D	12V	0-50W	4.16A	>0.9	-40°C	60°C	178x61x24
ELED-50-24D	24V	0-50W	2.08A	>0.9	-40°C	60°C	178x61x24



DALI Dimmable LED Power Supplies

ELED-60-D

CV Version

Technical Data

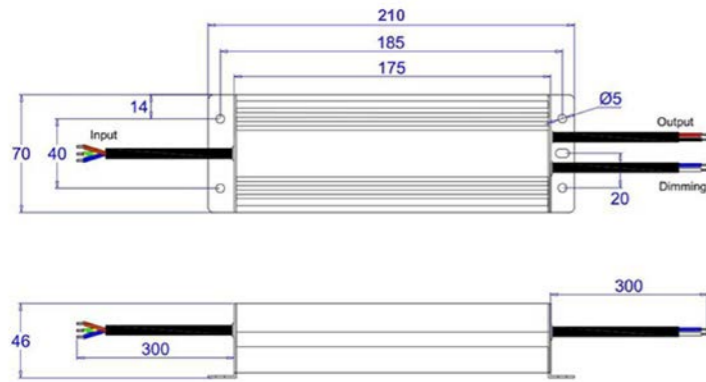
- Rated Input Voltage: 100-265 VAC.
- Works with DALI dimmers.
- Short Circuit; Over Load/ Short Circuit/ Over Voltage.
- Output Power : 60W



Safety According to EN61347-1 , EN61347-2-13
EMI According to EN55015
EMS According to EN61000-3-2



Dimension in mm



Characteristics

Rated input voltage: AC100 - 265V 47/63 Hz (power factor measured at ACXXXV and full load)

Model No.	Constant output Voltage	Load	Max output Current	PF	Min	Max	L x W x H
ELED-60-12D	12V	0-60W	5A	>0.9	-40°C	60°C	210x70x46
ELED-60-24D	24V	0-60W	2.5A	>0.9	-40°C	60°C	210x70x46



ELED-100-D

CV Version

Technical Data

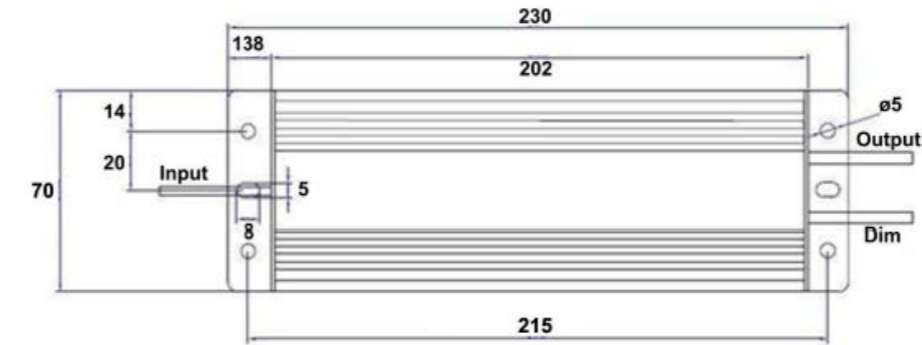
- Rated Input Voltage: 100-265 VAC.
- Works with DALI dimmers.
- Short Circuit; Over Load/ Short Circuit
- Output Power : 100W



Safety According to EN61347-1 , EN61347-2-13
EMI According to EN55015
EMS According to EN61000-3-2 ; EN61000-3-3 ; EN61547
EMF According to EN62493-2010
ERP According to EN1194-2012



Dimension in mm



Characteristics

Rated input voltage: AC100-265V 47/63 Hz [power factor measured at AC220V and full load]

Model No.	Constant output Voltage	Load	Max output Current	PF	Min	Max	L x W x H
ELED-100-12D	12V	0-100W	8.3A	>0.9	-40°C	60°C	230x70x44
ELED-100-24D	24V	0-100W	4.16A	>0.9	-40°C	60°C	230x70x44



DALI Dimmable LED Power Supplies

ELED-180/200-D

CV Version

Technical Data

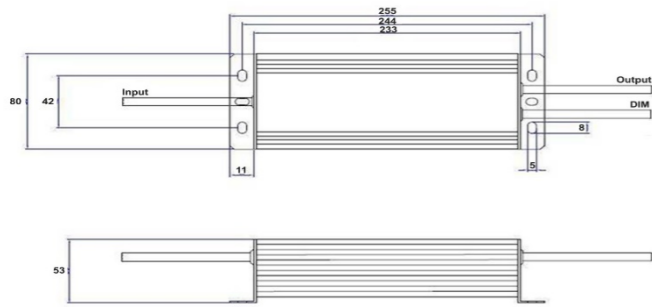
- Rated Input Voltage: 100-265 VAC.
- Works with DALI dimmers.
- Short Circuit; Over Load/ Short Circuit/ Over Voltage.
- Output Power : 180/200W



Safety According to EN61347-2-13
EMI According to EN55015
EMS According to EN61000-3-2



Dimension in mm



Characteristics

Rated input voltage: AC100 - 265V 47/63 Hz (power factor measured at AC220V and full load)

Model No.	Constant output Voltage	Load	Max output Current	PF	Min	Max	L x W x H
ELED-180-12D	12V	0-180W	15A	>0.9	-40°C	60°C	255x80x53
ELED-200-24D	24V	0-200W	8.33A	>0.9	-40°C	60°C	255x80x53



ELED-20-D

CC Version

Technical Data

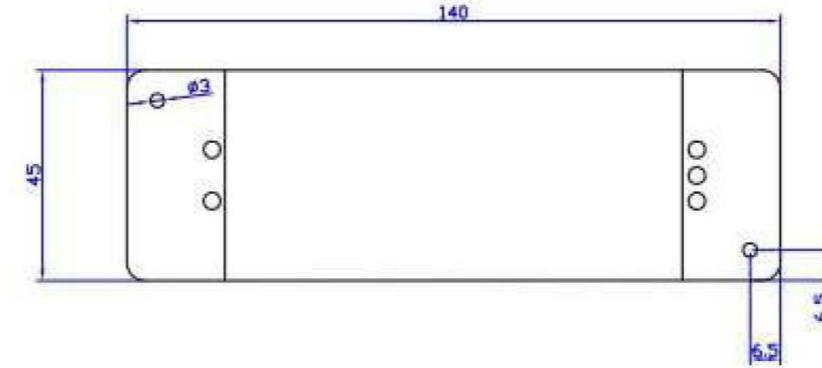
- Rated Input Voltage: 100-265 VAC.
- Works with DALI dimmers.
- Short Circuit; Over Load/ Short Circuit
- Output Power : 100W



Safety According to EN61347-1, EN61347-2-13
EMI According to EN55015
EMS According to EN61000-3-2; EN61000-3-3; EN61547
EMF According to EN62493-2010
ERP According to EN1194-2012



Dimension in mm



Characteristics

Rated input voltage: AC100-265V 47/63 Hz [power factor measured at AC220V and full load]

Model No.	Constant output Voltage	Load	Voltage Range	PF	Min	Max	L x W x H
ELED-20-250-750D	250mA	0.75-12.5W	3-50V	>0.65	-30°C	45°C	140x45x27
	350mA	1.05-17.5W	3-50V	>0.65	-30°C	45°C	140x45x27
	400mA	1.2-20W	3-50V	>0.65	-30°C	45°C	140x45x27
	450mA	1.35-20W	3-45V	>0.65	-30°C	45°C	140x45x27
	500mA	1.5-20W	3-40V	>0.65	-30°C	45°C	140x45x27
	550mA	1.65-20W	3-36V	>0.65	-30°C	45°C	140x45x27
	600mA	1.8-20W	3-32V	>0.65	-30°C	45°C	140x45x27
	700mA	2.1-20W	3-28V	>0.65	-30°C	45°C	140x45x27





0-10V Dimmable LED Power Supply

- Constant Voltage
- Constant Current

0-10V Dimmable Series

Ecopac 0-10v Dimmable LED Power Supply is a perfect solution for :

- CV Strip
- 0/1-10V Dimmable applications



ELED-20-V
Page 29



ELED-45-V
Page 30



ELED-60-V
Page 31



ELED-100-V
Page 32



ELED-180-V
Page 33



ELED-200-V
Page 33



ELED-300-V
Coming Soon



ELED-360-V
Coming Soon

0-10V Dimmable LED Power Supplies

ELED-20-V

CV Version

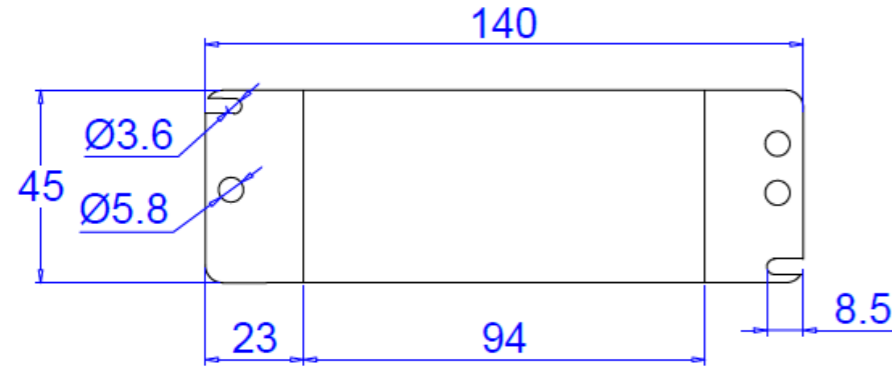
Technical Data

- Rated Input Voltage: 100-265 VAC.
- Works with 0/1-10V dimmers.
- Short Circuit; Over Load/ Short Circuit/ Over Voltage.
- Output Power : 20W

Safety According to EN61347-1 , EN61347-2-13
EMI According to EN55015
EMS According to EN61000-3-2



Dimension in mm



Characteristics

Rated input voltage: AC100- 265V 47/63 Hz (power factor measured at AC220V and full load)

Model No.	Constant output Voltage	Load	Max output Current	PF	Min	Max	L x W x H
ELED-20-12V	12V	0-20W	1.66A	>0.9	-40°C	60°C	140x45x27
ELED-20-24V	24V	0-20W	0.83A	>0.9	-40°C	60°C	140x45x27



ELED-45-V

CV Version

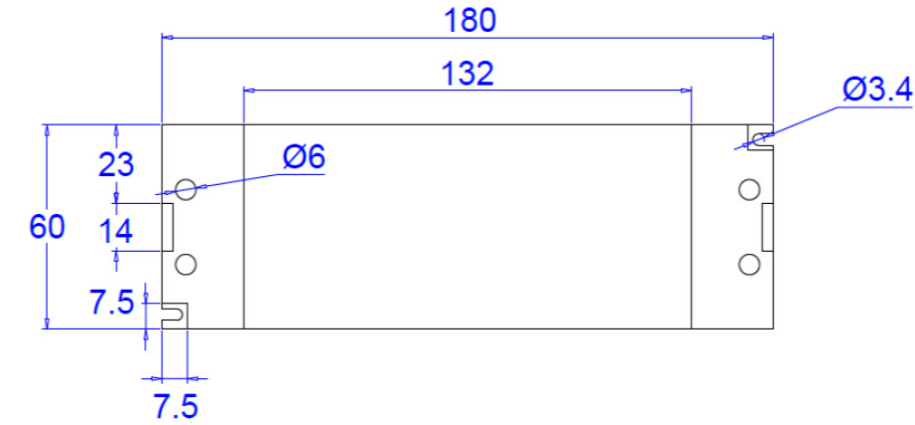
Technical Data

- Rated Input Voltage: 100-265 VAC.
- Works with 0-10V dimmers.
- Short Circuit; Over Load/ Short Circuit
- Output Power : 45W

Safety According to EN61347-2-13
EMI According to EN55015
EMS According to EN61000-3-2



Dimension in mm



Characteristics

Rated input voltage: AC100-265V 47/63 Hz [power factor measured at AC220V and full load]

Model No.	Constant output Voltage	Load	Max output Current	PF	Min	Max	L x W x H
ELED-45-12V	12V	0-45W	3.75A	>0.9	-40°C	60°C	180x60.4x35.2
ELED-45-24V	24V	0-45W	1.87A	>0.9	-40°C	60°C	180x60.4x35.2



0-10V Dimmable LED Power Supplies

ELED-60-V

CV Version

Technical Data

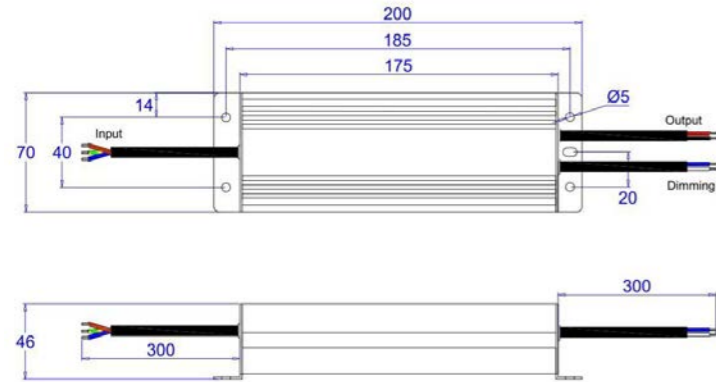
- Rated Input Voltage: 100-265 VAC.
- Works with 0/1-10V dimmers.
- Short Circuit; Over Load/ Short Circuit/ Over Voltage.
- Output Power : 60W



Safety According to EN61347-1 , EN61347-2-13
EMI According to EN55015
EMS According to EN61000-3-2



Dimension in mm



Characteristics

Rated input voltage: AC100 - 265V 47/63 Hz (power factor measured at AC220V and full load)

Model No.	Constant output Voltage	Load	Max output Current	PF	Min	Max	L x W x H
ELED-60-12V	12V	0-60W	5A	>0.9	-40°C	60°C	200x70x46
ELED-60-24V	24V	0-60W	2.5A	>0.9	-40°C	60°C	200x70x46



ELED-100-V

CV Version

Technical Data

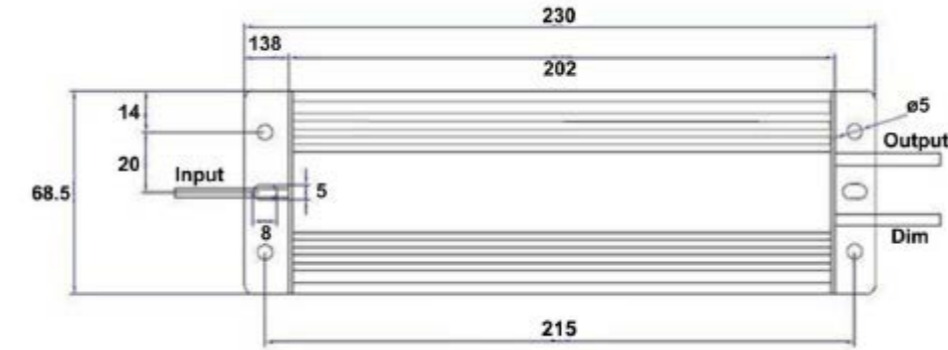
- Rated Input Voltage: 100-265 VAC.
- Works with 0-10V dimmers.
- Short Circuit; Over Load/ Short Circuit/ Over Voltage.
- Output Power : 100W



Safety According to EN61347-2-13 EMI
According to EN55015
EMS According to EN61000-3-2



Dimension in mm



Characteristics

Rated input voltage: AC100-265V 47/63 Hz [power factor measured at AC220V and full load]

Model No.	Constant output Voltage	Load	Max output Current	PF	Min	Max	L x W x H
ELED-100-12V	12V	0-99.6W	8.3A	>0.9	-40°C	60°C	230x68.5x44
ELED-100-24V	24V	0-99.6W	4.15A	>0.9	-40°C	60°C	230x68.5x44



0-10V Dimmable LED Power Supplies

ELED-180/200-V

CV Version

Technical Data

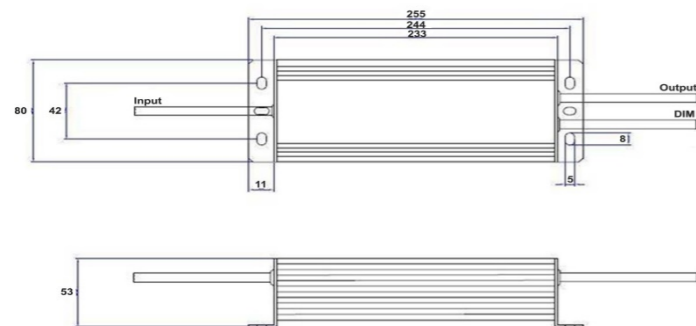
- Rated Input Voltage: 100-265 VAC.
- Works with 0-10V dimmers.
- Short Circuit; Over Load/ Short Circuit/ Over Voltage.
- Output Power : 180/200W



Safety According to EN61347-2-13
 EMI According to EN55015
 EMS According to EN61000-3-2



Dimension in mm



Characteristics

Rated input voltage: AC100 - 265V 47/63 Hz (power factor measured at AC220V and full load)

Model No.	Constant output Voltage	Load	Max output Current	PF	Min	Max	L x W x H
ELED-180-12V	12V	0-180W	15A	>0.9	-40°C	60°C	255x80x53
ELED-200-24V	24V	0-200W	8.33A	>0.9	-40°C	60°C	255x80x53





Linetype LED Power Supply

- Terminal Block Series
- Clamp Terminal Series

Terminal Block Series

Ecopac Line type LED Power Supply is a perfect solution for :

- LED Lighting
- LED Sign Applications
- LED Strip



ECP-30VF-1
Page 37



ECP45-VF-1
Page 38



ECP60-VF-1
Page 39



ECP75-VF-1
Page 40



ECP100-VF-1
Page 41



ECP150-VF-1
Page 42



ECP200-VF-1
Page 43

LineType LED Power Supplies

ECP30-VF-1

CV Version



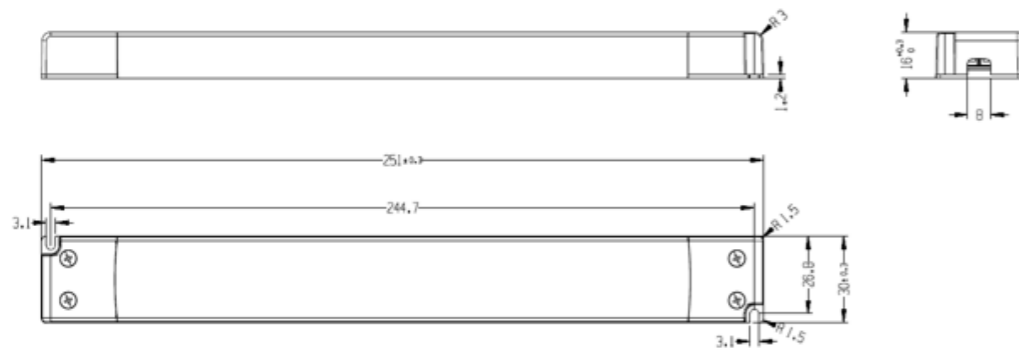
Technical Data

- Rated Input Voltage:200-240VAC
- Input Frequency:50/60Hz
- Output Power:30W
- Open Circuit; Short Circuit; Over Load;
- Over Heat Protection

Safety According to EN61347-1, EN61347-2-13
 EMI According to EN55015
 EMS According to EN61000-3-2; EN61000-3-3; EN61547
 EMF According to EN62493-2010
 ERP According to EN1194-2012



Dimension in mm



Characteristics

Rated input voltage: AC200 - 240V 50/60 Hz [power factor measured at AC230V and full load]

Model No.	Constant output voltage	Load	Max output Current	PF	Ta	Tc	L x W x H
ECP30-12VF-1	12V	0-30W	2.5A	>0.9	45°C	80°C	251x30x16
ECP30-24VF-1	24V	0-30W	1.25A	>0.9	45°C	80°C	251x30x16



ECP45-VF-1

CV Version



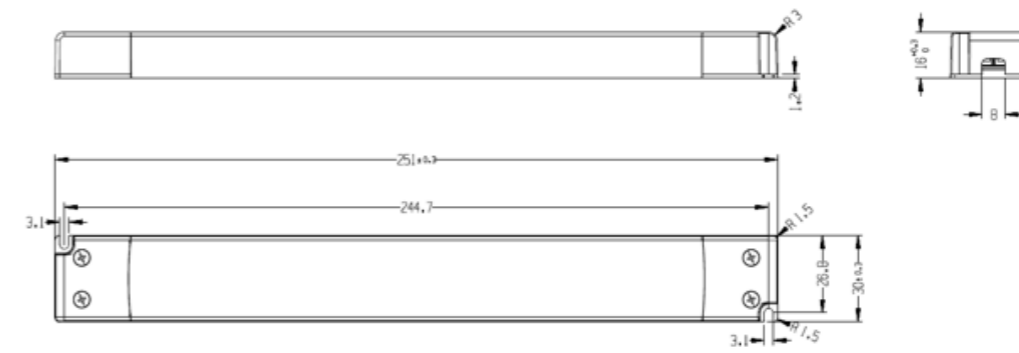
Technical Data

- Rated Input Voltage :200-240VAC
- Input Frequency:50/60Hz
- Output Power:45W
- Open Circuit; Short Circuit; OverLoad;
- Over Heat Protection

Safety According to EN61347-1, EN61347-2-13
 EMI According to EN55015
 EMS According to EN61000-3-2; EN61000-3-3; EN61547
 EMF According to EN62493-2010
 ERP According to EN1194-2012



Dimension in mm



Characteristics

Rated input voltage: AC200-240V 50/60 Hz [power factor measured at AC230V and full load]

Model No.	Constant output voltage	Load	Max output current	PF	Ta	Tc	L x W x H
ECP45-12VF-1	12V	0-45W	3.75A	>0.9	45°C	so'c	251x30x16
ECP45-24VF-1	24V	0-45W	1.87A	>0.9	45°C	so'c	251x30x16



LineType LED Power Supplies

ECP60-VF-1

CV Version

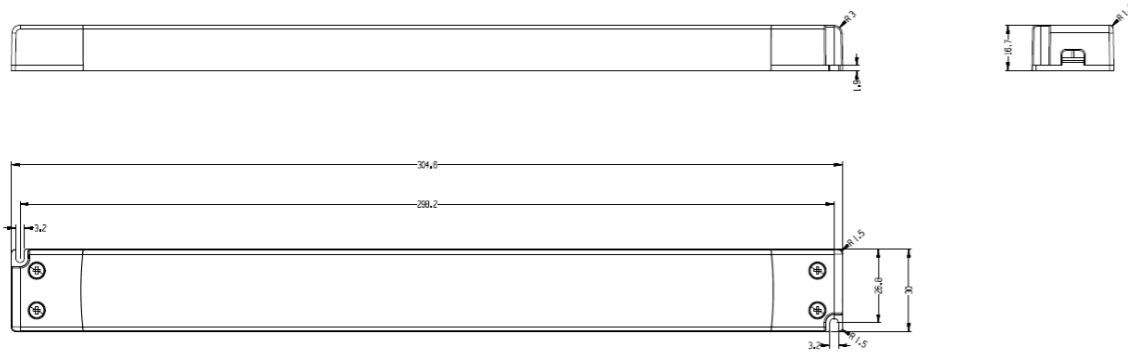
Technical Data

- Rated Input Voltage:200-240VAC
- Input Frequency:50/60Hz
- Output Power : 60W
- Open Circuit; Short Circuit; Over Load;
- Over Heat Protection

Safety According to EN61347-1, EN61347-2-13
 EMI According to EN55015
 EMS According to EN61000-3-2; EN61000-3-3; EN61547
 EMF According to EN62493-2010
 ERP According to EN1194-2012



Dimension in mm



Characteristics

Rated input voltage: AC200 - 240V 50/60 Hz [power factor measured at AC230V and full load]

Model No.	Constant output Voltage	Load	Max output Current	PF	Ta	Tc	L x W x H
ECP60-12VF-1	12V	0-60W	5A	>0.9	45°C	80°C	304.6x30x16.7
ECP60-24VF-1	24V	0-60W	2.5A	>0.9	45°C	80°C	304.6x30x16.7



ECP75-VF-1

CV Version

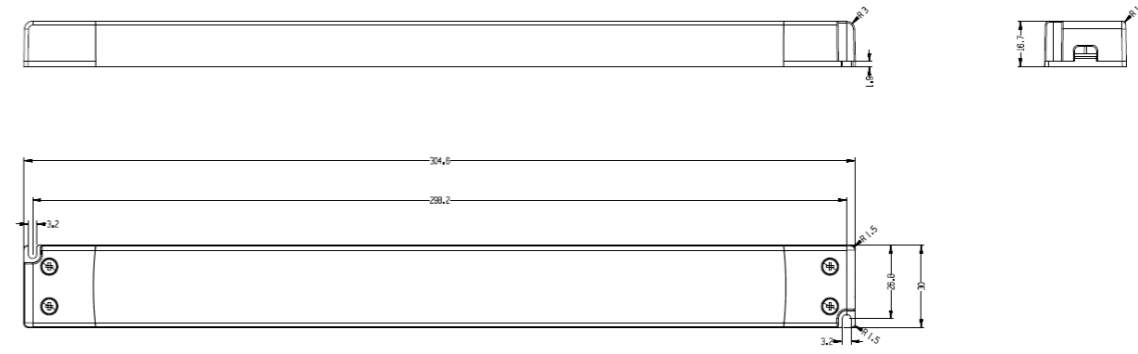
Technical Data

- Rated Input Voltage:200-240VAC
- Input Frequency:50/60Hz
- Output Power : 75W
- Open Circuit; Short Circuit; Over Load;
- Over Heat Protection

Safety According to EN61347-1, EN61347-2-13
 EMI According to EN55015
 EMS According to EN61000-3-2; EN61000-3-3; EN61547
 EMF According to EN62493-2010
 ERP According to EN1194-2012



Dimension in mm



Characteristics

Rated input voltage: AC200 - 240V 50/60 Hz [power factor measured at AC230V and full load]

Model No.	Constant output Voltage	Load	Max output Current	PF	Ta	Tc	L x W x H
ECP75-12VF-1	12V	0-75W	6.25A	>0.9	45°C	85°C	304.6x30x16.7
ECP75-24VF-1	24V	0-75W	3.125A	>0.9	45°C	85°C	304.6x30x16.7



ECP100-VF-1

CV Version

Technical Data

- Rated Input Voltage:200-240VAC
- Input Frequency:50/60Hz
- Output Power : 100W
- Open Circuit; Short Circuit; OverLoad;
- Over Heat Protection

Safety According to EN61347-1, EN61347-2-13
 EMI According to EN55015
 EMS According to EN61000-3-2; EN61000-3-3; EN61547
 EMF According to EN62493-2010
 ERP According to EN1194-2012



Dimension in mm



Characteristics

Rated input voltage: AC200-240V 50/60 Hz [power factor measured at AC230V and full load]

Model No.	Constant output Voltage	Load	Max output Current	PF	Ta	Tc	L x W x H
ECP100-12VF-1	12V	0-100W	8.33A	>0.9	45°C	85°C	320.6x30x18.2
ECP100-24VF-1	24V	0-100W	4.17A	>0.9	45°C	85°C	320.6x30x18.2



ECP150-VF-1

CV Version

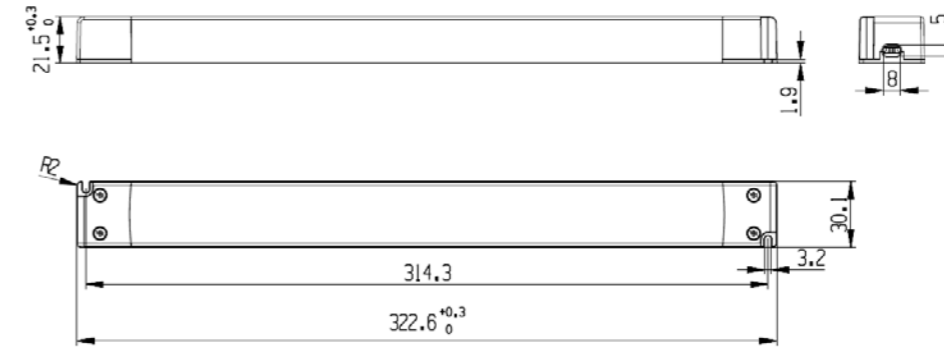
Technical Data

- Rated Input Voltage:200-240VAC
- Input Frequency:50/60Hz
- Output Power : 150W
- Open Circuit; Short Circuit; Over Load;
- Over Heat Protection

Safety According to EN61347-1, EN61347-2-13
 EMI According to EN55015
 EMS According to EN61000-3-2; EN61000-3-3; EN61547
 EMF According to EN62493-2010
 ERP According to EN1194-2012



Dimension in mm



Characteristics

Rated input voltage: AC200 - 240V 50/60 Hz [power factor measured at AC230V and full load]

Model No.	Constant output Voltage	Load	Max output Current	PF	Ta	Tc	L x W x H
ECP150-12VF-1	12V	0-132W	11A	>0.95	45°C	90°C	322.6x30.1x21.5
ECP150-24VF-1	24V	0-150W	6.25A	>0.95	45°C	90°C	322.6x30.1x21.5



ECP200-VF-1

CV Version

Technical Data

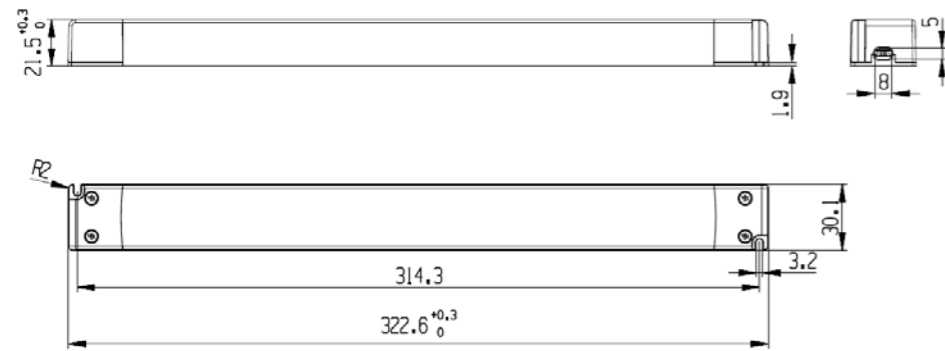
- Rated Input Voltage:200-240VAC
- Input Frequency:50/60Hz
- Output Power : 200W
- Open Circuit; Short Circuit; OverLoad;
- Over Heat Protection



Safety According to EN61347-1, EN61347-2-13
 EMI According to EN55015
 EMS According to EN61000-3-2; EN61000-3-3; EN61547
 EMF According to EN62493-2010
 ERP According to EN1194-2012



Dimension in mm



Characteristics

Rated input voltage: AC200-240V 50/60 Hz [power factor measured at AC230V and full load]

Model No.	Constant output Voltage	Load	Max output Current	PF	Ta	Tc	L x W x H
ECP200-12VF-1	12V	0-180W	15A	>0.95	45°C	85°C	322.6x30.1x21.5
ECP200-24VF-1	24V	0-200W	8.33A	>0.95	45°C	85°C	322.6x30.1x21.5





Regular & Low Profile LED Power Supply

- Terminal Block Series
- Clamp Terminal Series

8W -200W

Ecopac Low Profile LED Power Supply is a perfect solution for :

- Cabinet
- Furniture
- Limited space



ECP8-VL-1 / ECP8-IL-1
Page 47



ECP12-IF
Page 48



ECP15-VF-1
Page 49



ECP30-VF-3
Page 50



ECP40-VF
Page 51



ECP50-VF-1
Page 52



ECP60-VF
Page 53



ECP75-VL-E
Page 54



ECP100-VL-E
Page 55



ECP150-VL
Page 56



ECP200-VL
Page 57

ECP8-VL-1 / ECP8-IL-1

CV/CC Version

Technical Data

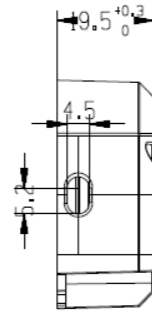
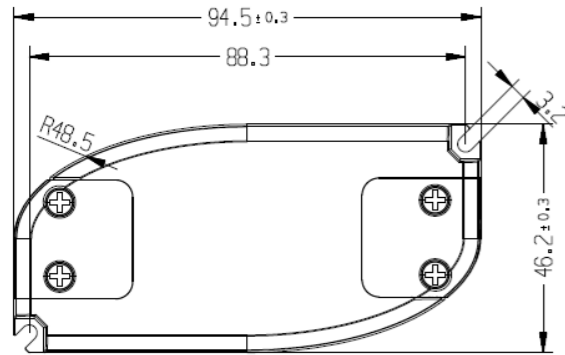
- Rated Input Voltage:200-240VAC
- Input Frequency:50/60Hz
- Output Power : 8W
- Open Circuit; Short Circuit; Over Load;
- Over Heat Protection



Safety According to EN61347-1, EN61347-2-13
 EMI According to EN55015
 EMS According to EN61000-3-2; EN61000-3-3; EN61547
 EMF According to EN62493-2010
 ERP According to EN1194-2012



Dimension in mm



Characteristics

Rated input voltage: AC200 - 240V 50/60 Hz [power factor measured at AC230V and fu ll load]

Model No.	Constant output Voltage/Current	Load	Max output Current	PF	Ta	Tc	L x W x H
ECP8-12VL-1	12V	0-8W	0.67A	>0.8	45°C	75°C	94.5x46.2x19.5
ECP8-24VL-1	24V	0-8W	0.33A	>0.8	45°C	75°C	94.5x46.2x19.5
ECP8-350IL-1	350mA	4.2-8.4W	12-24VDC	>0.8	45°C	75°C	94.5x46.2x19.5
ECP8-500IL-1	500mA	4-8W	8-16VDC	>0.8	45°C	75°C	94.5x46.2x19.5
ECP8-700IL-1	700mA	4.2-8.4W	6-12VDC	>0.8	45°C	75°C	94.5x46.2x19.5

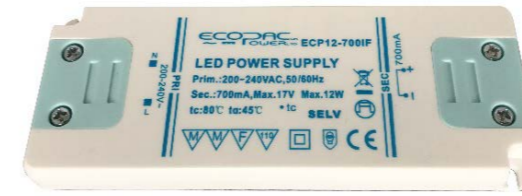


ECP12-IF

CC Version

Technical Data

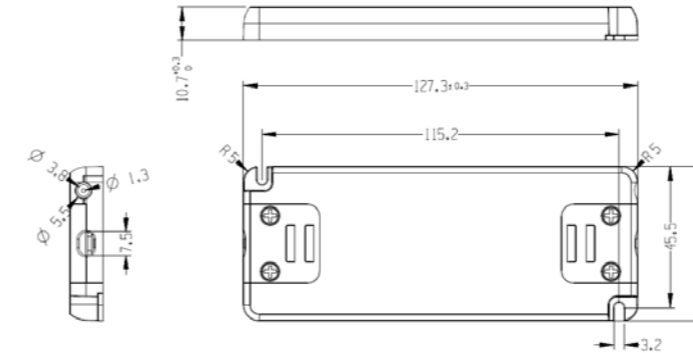
- Rated Input Voltage:200-240VAC
- Input Frequency:50/60Hz
- Output Power : 12W
- Open Circuit; Short Circuit; OverLoad;
- Over Heat Protection



Safety According to EN61347-1, EN61347-2-13
 EMI According to EN55015
 EMS According to EN61000-3-2; EN61000-3-3; EN61547
 EMF According to EN62493-2010
 ERP According to EN1194-2012



Dimension in mm



Characteristics

Rated input voltage: AC200-240V 50/60 Hz [power factor measured at AC230V and full load]

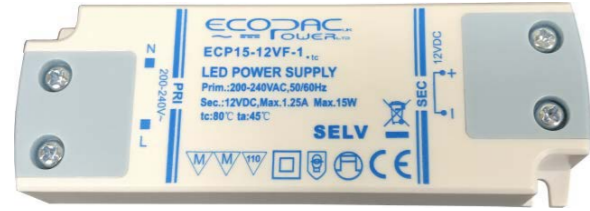
Model No.	Constant output Voltage/Current	Load	Max output Current	PF	Ta	Tc	L x W x H
ECP12-350IF	350mA	0-12W	34VDC	>0.5	45°C	80°C	127.3x49.8x10.7
ECP12-500IF	500mA	0-12W	24VDC	>0.5	45°C	80°C	127.3x49.8x10.7
ECP12-700IF	700mA	0-12W	17VDC	>0.5	45°C	80°C	127.3x49.8x10.7



LED Power Supplies

ECP15-VF-1

CV Version



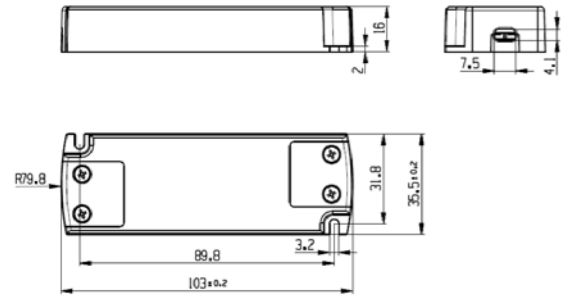
Technical Data

- Rated Input Voltage:200-240VAC
- Input Frequency:50/60Hz
- Output Power : 15W
- Open Circuit; Short Circuit; Over Load;
- Over Heat Protection

Safety According to EN61347-1, EN61347-2-13
 EMI According to EN55015
 EMS According to EN61000-3-2; EN61000-3-3; EN61547
 EMF According to EN62493-2010
 ERP According to EN1194-2012



Dimension in mm



Characteristics

Rated input voltage: AC200 - 240V 50/60 Hz [power factor measured at AC230V and full load]

Model No.	Constant output Voltage	Load	Max output Current	PF	Ta	Tc	L x W x H
ECP15-12VF-1	12V	0-15W	1.25A	>0.5	45°C	80°C	103x35.5x16
ECP15-24VF-1	24V	0-15W	0.625A	>0.5	45°C	80°C	103x35.5x16



ECP30-VF-3

CV Version



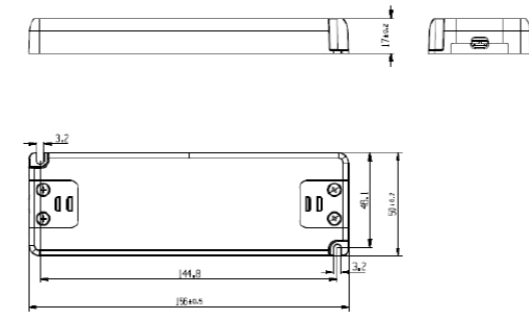
Technical Data

- Rated Input Voltage:200-240VAC
- Input Frequency:50/60Hz
- Output Power : 30W
- Open Circuit; Short Circuit; OverLoad;
- Over Heat Protection

Safety According to EN61347-1, EN61347-2-13
 EMI According to EN55015
 EMS According to EN61000-3-2; EN61000-3-3; EN61547
 EMF According to EN62493-2010
 ERP According to EN1194-2012



Dimension in mm



Characteristics

Rated input voltage: AC200-240V 50/60 Hz [power factor measured at AC230V and full load]

Model No.	Constant output Voltage	Load	Max output Current	PF	Ta	Tc	L x W x H
ECP30-12VF-3	12V	0-30W	2.5A	>0.9	45°C	85°C	156x50x17
ECP30-24VF-3	24V	0-30W	1.25A	>0.9	45°C	85°C	156x50x17



ECP40-VF

CV Version

Technical Data

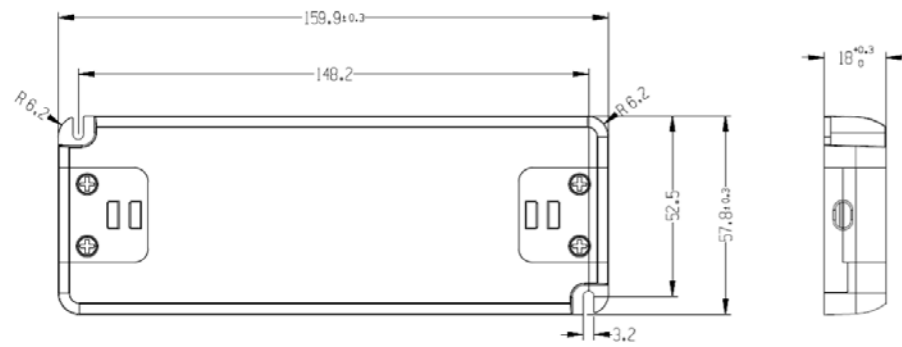
- Rated Input Voltage:200-240VAC
- Input Frequency:50/60Hz
- Output Power : 40W
- Open Circuit; Short Circuit; Over Load;
- Over Heat Protection



Safety According to EN61347-1, EN61347-2-13
 EMI According to EN55015
 EMS According to EN61000-3-2; EN61000-3-3; EN61547
 EMF According to EN62493-2010
 ERP According to EN1194-2012



Dimension in mm



Characteristics

Rated input voltage: AC200 - 240V 50/60 Hz [power factor measured at AC230V and full load]

Model No.	Constant output Voltage	Load	Max output Current	PF	Ta	Tc	L x W x H
ECP40-12VF	12V	0-40W	3.333A	>0.9	45°C	80°C	159.9x57.8x18
ECP40-24VF	24V	0-40W	1.667A	>0.9	45°C	80°C	159.9x57.8x18



ECP50-VF-1

CV Version

Technical Data

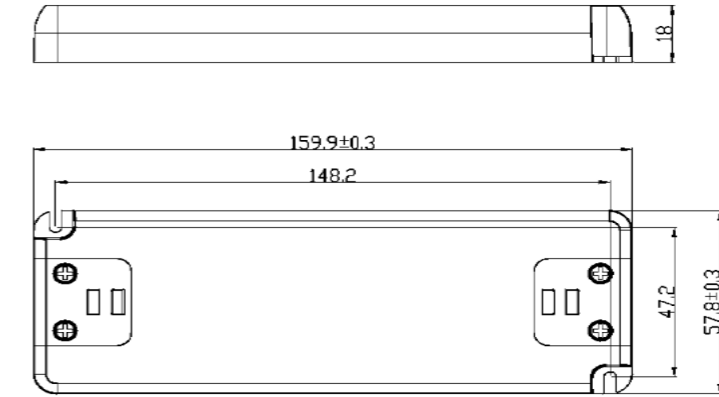
- Rated Input Voltage:200-240VAC
- Input Frequency:50/60Hz
- Output Power : 50W
- Open Circuit; Short Circuit; OverLoad;
- Over Heat Protection



Safety According to EN61347-1, EN61347-2-13
 EMI According to EN55015
 EMS According to EN61000-3-2; EN61000-3-3; EN61547
 EMF According to EN62493-2010
 ERP According to EN1194-2012



Dimension in mm



Characteristics

Rated input voltage: AC200-240V 50/60 Hz [power factor measured at AC230V and full load]

Model No.	Constant output Voltage	Load	Max output Current	PF	Ta	Tc	L x W x H
ECP50-12VF-1	12V	0-50W	4.17A	>0.9	50°C	85°C	160x58x18
ECP50-24VF-1	24V	0-50W	2.08A	>0.9	50°C	85°C	160x58x18



ECP60-VF

CV Version

Technical Data

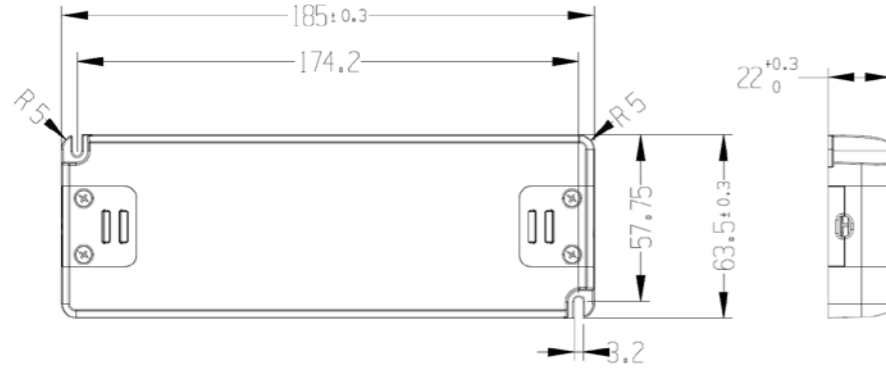
- Rated Input Voltage:200-240VAC
- Input Frequency:50/60Hz
- Output Power : 60W
- Open Circuit; Short Circuit; Over Load;
- Over Heat Protection



Safety According to EN61347-1, EN61347-2-13
 EMI According to EN55015
 EMS According to EN61000-3-2; EN61000-3-3; EN61547
 EMF According to EN62493-2010
 ERP According to EN1194-2012



Dimension in mm



Characteristics

Rated input voltage: AC200 - 240V 50/60 Hz [power factor measured at AC230V and full load]

Model No.	Constant output Voltage	Load	Max output Current	PF	Ta	Tc	L x W x H
ECP60-12VF	12V	0-60W	5A	>0.9	45°C	85°C	185x63.5x22
ECP60-24VF	24V	0-60W	2.5A	>0.9	45°C	85°C	185x63.5x22

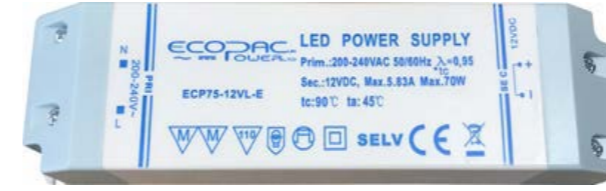


ECP75-VL-E

CV Version

Technical Data

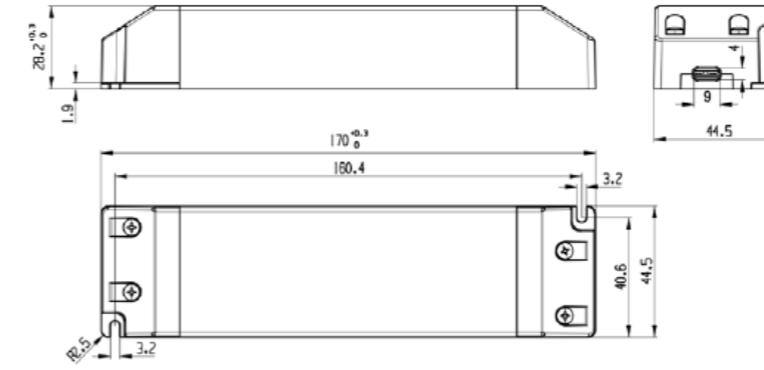
- Rated Input Voltage:200-240VAC
- Input Frequency:50/60Hz
- Output Power : 75W
- Open Circuit; Short Circuit; OverLoad;
- Over Heat Protection



Safety According to EN61347-1, EN61347-2-13
 EMI According to EN55015
 EMS According to EN61000-3-2; EN61000-3-3; EN61547
 EMF According to EN62493-2010
 ERP According to EN1194-2012



Dimension in mm



Characteristics

Rated input voltage: AC200-240V 50/60 Hz [power factor measured at AC230V and full load]

Model No.	Constant output Voltage	Load	Max output Current	PF	Ta	Tc	L x W x H
ECP75-12VL-E	12V	0-70W	5.83A	>0.9	45°C	85°C	170x44.5x28.2
ECP75-24VL-E	24V	0-70W	3.13A	>0.9	45°C	85°C	170x44.5x28.2



ECP100-VL-E

CV Version

Technical Data

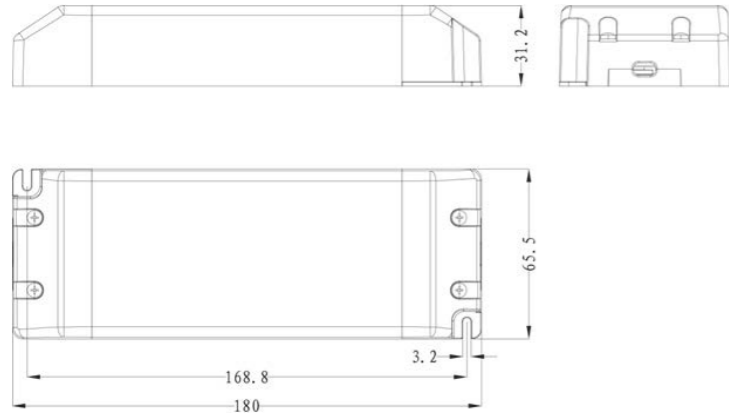


- Rated Input Voltage:200-240VAC
- Input Frequency:50/60Hz
- Output Power : 100W
- Open Circuit; Short Circuit; Over Load;
- Over Heat Protection

Safety According to EN61347-1, EN61347-2-13
 EMI According to EN55015
 EMS According to EN61000-3-2; EN61000-3-3; EN61547
 EMF According to EN62493-2010
 ERP According to EN1194-2012



Dimension in mm



Characteristics

Rated input voltage: AC200 - 240V 50/60 Hz [power factor measured at AC230V and full load]

Model No.	Constant output Voltage	Load	Max output Current	PF	Ta	Tc	L x W x H
ECP100-12VL-E	12V	0-100W	8.33A	>0.9	45°C	80°C	180x65.5x31.2
ECP100-24VL-E	24V	0-100W	4.16A	>0.9	45°C	80°C	180x65.5x31.2



ECP150-VL

CV Version

Technical Data

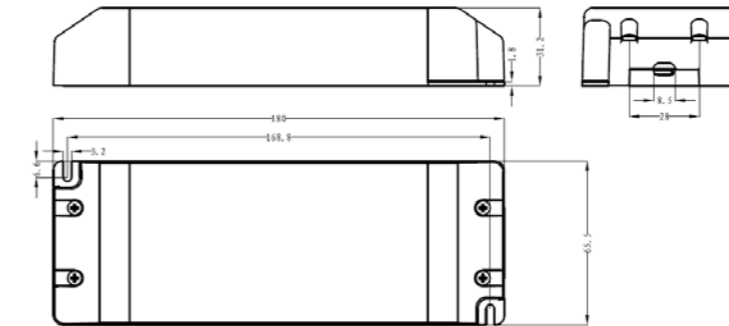


- Rated Input Voltage:200-240VAC
- Input Frequency:50/60Hz
- Output Power : 150W
- Open Circuit; Short Circuit; OverLoad;
- Over Heat Protection

Safety According to EN61347-1, EN61347-2-13
 EMI According to EN55015
 EMS According to EN61000-3-2; EN61000-3-3; EN61547
 EMF According to EN62493-2010
 ERP According to EN1194-2012



Dimension in mm



Characteristics

Rated input voltage: AC200-240V 50/60 Hz [power factor measured at AC230V and full load]

Model No.	Constant output Voltage	Load	Max output Current	PF	Ta	Tc	L x W x H
ECP150-12VL	12V	0-132W	11A	>0.9	45°C	90°C	180x65.5x31.2
ECP150-24VL	24V	0-150W	6.25A	>0.9	45°C	90°C	180x65.5x31.2



ECP200-VL

CV Version

Technical Data

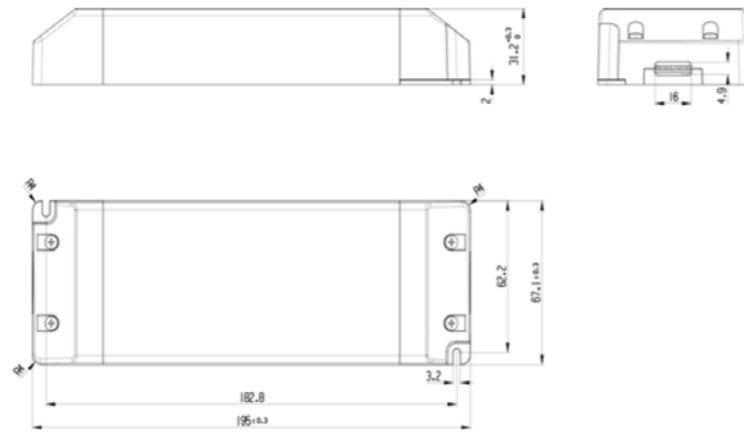
- Rated Input Voltage:200-240VAC
- Input Frequency:50/60Hz
- Output Power : 200W
- Open Circuit; Short Circuit; Over Load;
- Over Heat Protection



Safety According to EN61347-1, EN61347-2-13
 EMI According to EN55015
 EMS According to EN61000-3-2; EN61000-3-3; EN61547
 EMF According to EN62493-2010
 ERP According to EN1194-2012



Dimension in mm



Characteristics

Rated input voltage: AC200 - 240V 50/60 Hz [power factor measured at AC230V and fu ll load]

Model No.	Constant output Voltage	Load	Max output Current	PF	Ta	Tc	L x W x H
ECP200-12VL	12V	0-180W	15A	>0.9	45°C	80°C	195x67.1x31.2
ECP200-24VL	24V	0-200W	8.33A	>0.9	45°C	80°C	195x67.1x31.2





IP67 Regular & Line Type LED Power Supply

- EPE Series
- VFP Series
- Kitchen and bathroom series
- Outdoor Series

Waterproof

Ecopac Waterproof LED Power Supply is a perfect solution for :

- Outdoor lighting
- Pool areas
- Bathrooms



EPE100-VLP
Page 61



EPE150-VLP
Page 62



EPE200-VLP
Page 63



EPE320-VLP
Page 64



ECP60-VFP-1
Page 65



ECP100-VFP-1
Page 66

EPE100-VLP

CV Version



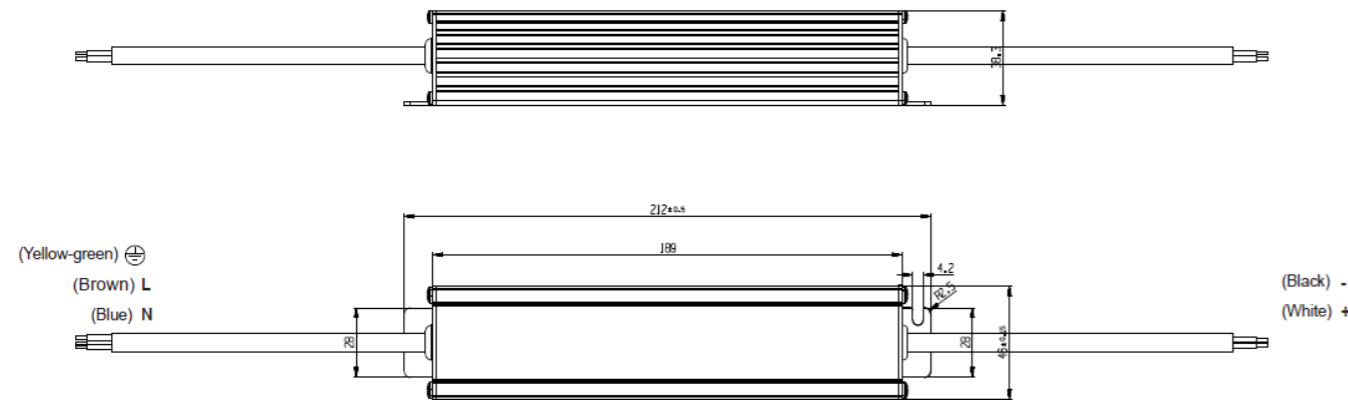
Technical Data

- Rated Input Voltage: 200-277 VAC.
- IP67 design for indoor or outdoor installation.
- Short Circuit; Over Load/ Over Voltage/ Over Temperature.
- Built-in active PFC Function.
- Cooling by free air, High reliability.

Safety standards to EN61347-1, EN61347-2-13
 Withstand voltage to 1/P: -0/P: 5.3KVDC1 minute
 Isolation resistance to 1/P: -0/P, 1/P-FG: 50M Ohm/ 500VDC I25 C/ 70%RH
 EMCemission to EN55015, FCC PAR15B
 EMCimmunity to EN61000-4-2, , 3 4, 5, , 6 8, 11; EN55024; EN61547
 Harmonic current to EN61000-3-2 CLASSC(100% load)



Dimension in mm



Characteristics

Rated input voltage: AC200 - 277V 50/60 Hz [power factor measured at AC230V and full load]

Model No.	Constant output Voltage	Load	Max output Current	PF	Ta	Tc	L x W x H
EPE100-12VLP	12V	0-100W	8.33A	>0.9	60°C	90°C	212x46x38.3
EPE100-24VLP	24V	0-100W	4.17A	>0.9	60°C	90°C	212x46x38.3



EPE150-VLP

CV Version



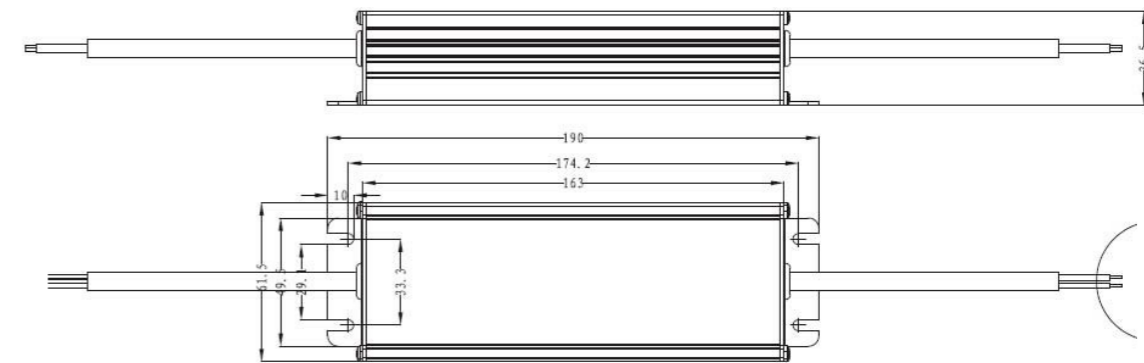
Technical Data

- Rated Input Voltage: 200-277 VAC.
- IP67 design for indoor or outdoor installation.
- Short Circuit; Over Load/ Over Voltage/ Over Temperature.
- Built-in active PFC Function.
- Cooling by free air, High reliability.

Safety standards to EN61347-1, EN61347-2-13
 Withstand voltage to 1/P: -0/P: 5.3KVDC1 minute
 Isolation resistance to 1/P: -0/P, 1/P-FG: 50M Ohm/ 500VDC I25 C/ 70%RH
 EMCemission to EN55015, FCC PAR15B
 EMCimmunity to EN61000-4-2, , 3 4, 5, , 6 8, 11; EN55024; EN61547
 Harmonic current to EN61000-3-2 CLASSC(100% load)



Dimension in mm



Characteristics

Rated input voltage: AC200-277V 50/60 Hz [power factor measured at AC230V and full load]

Model No.	Constant output Voltage	Load	Max output Current	PF	Ta	Tc	L x W x H
EPE150-12VLP	12V	0-150W	12.5A	>0.9	60°C	90°C	190x61.5x36.5
EPE150-24VLP	24V	0-150W	6.25A	>0.9	60°C	90°C	190x61.5x36.5



EPE200-VLP

CV Version

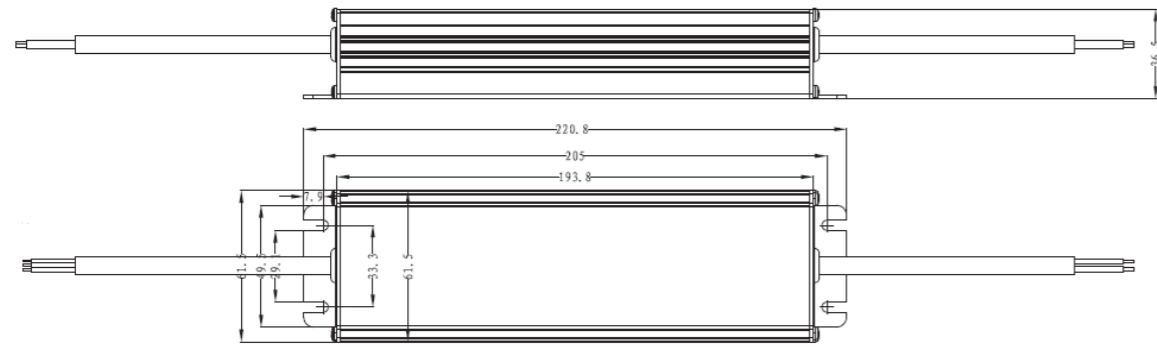
Technical Data

- Rated Input Voltage: 200-277 VAC.
- IP67 design for indoor or outdoor installation.
- Short Circuit; Over Load/ Over Voltage/ Over Temperature.
- Built-in active PFC Function.
- Cooling by free air, High reliability.

Safety standards to EN61347-1, EN61347-2-13
Withstand voltage to 1/P: -0/P: 5.3KVDC1 minute
Isolation resistance to 1/P: -0/P , 1/P-FG: 50M Ohm/ 500VDC I25 C/ 70%RH
EMCemission to EN55015,FCC PAR15B
EMCimmunity to EN61000-4-2, , 3 4, 5, , 6 8, 11;
EN55024; EN61547
Harmonic current to EN61000-3-2 CLASSC(100% load)



Dimension in mm



Characteristics

Rated input voltage: AC200 - 277V 50/60 Hz [power factor measured at AC230V and full load]

Model No.	Constant output Voltage	Load	Max output Current	PF	Ta	Tc	L x W x H
EPE200-12VLP	12V	0-200W	16.7A	>0.9	60°C	90°C	220.8x61.5x36.5
EPE200-24VLP	24V	0-200W	8.33A	>0.9	60°C	90°C	220.8x61.5x36.5



EPE320-VLP

CV Version

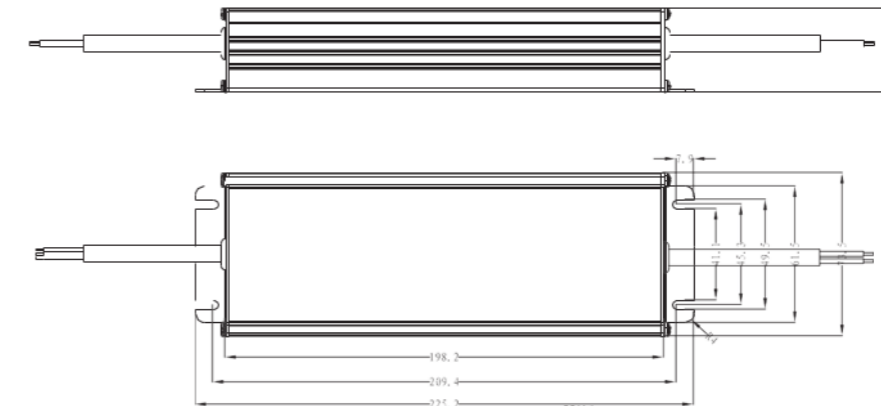
Technical Data

- Rated Input Voltage: 200-277 VAC.
- IP67 design for indoor or outdoor installation.
- Short Circuit; Over Load/ Over Voltage/ Over Temperature.
- Built-in active PFC Function.
- Cooling by free air, High reliability.

Safety standards to EN61347-1, EN61347-2-13
Withstand voltage to 1/P: -0/P: 5.3KVDC1 minute
Isolation resistance to 1/P: -0/P , 1/P-FG: 50M Ohm/ 500VDC I25 C/ 70%RH
EMCemission to EN55015,FCC PAR15B
EMCimmunity to EN61000-4-2, , 3 4, 5, , 6 8, 11;
EN55024; EN61547
Harmonic current to EN61000-3-2 CLASSC(100% load)



Dimension in mm



Characteristics

Rated input voltage: AC200-277V 50/60 Hz [power factor measured at AC230V and full load]

Model No.	Constant output Voltage	Load	Max output Current	PF	Ta	Tc	L x W x H
EPE320-12VLP	12V	0-300W	25A	>0.9	50°C	90°C	225.2x73.5x38
EPE320-24VLP	24V	0-320W	13.4A	>0.9	50°C	90°C	225.2x73.5x38



ECP60-VFP-1

CV Version

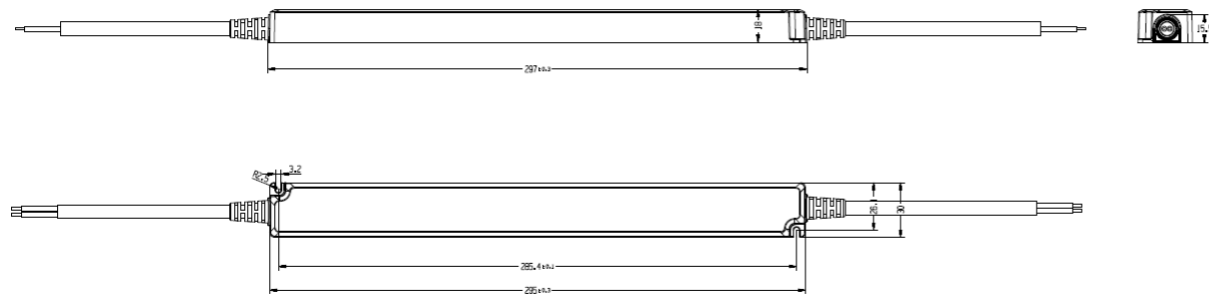
Technical Data

- Rated Input Voltage: 200-240 VAC.
- IP66 design for indoor or outdoor installation.
- Short Circuit; Over Load/ Open Circuit/ Over Temperature.
- Output Power : 60W

Safety According to EN61347-1 , EN61347-2-13
EMI According to EN55015
EMS According to EN61000-3-2 ; EN61000-3-3 ; EN61547
EMF According to EN62493-2010
ERP According to EN1194-2012



Dimension in mm



Characteristics

Rated input voltage: AC200 - 240V 50/60 Hz [power factor measured at AC230V and full load]

Model No.	Constant output Voltage	Load	Max output Current	PF	Ta	Tc	L x W x H
ECP60-12VFP-1	12V	0-60W	5A	>0.9	45°C	90°C	297x30x18
EPE60-24VFP-1	24V	0-60W	2.5A	>0.9	45°C	90°C	297x30x18



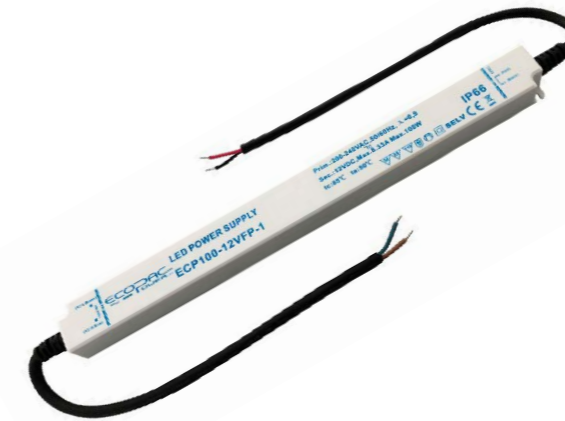
ECP100-VFP-1

CV Version

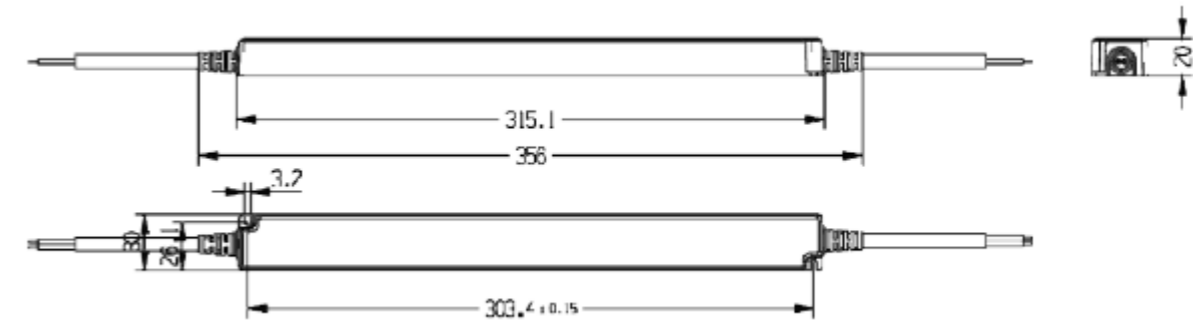
Technical Data

- Rated Input Voltage: 200-240 VAC.
- IP66 design for indoor or outdoor installation.
- Short Circuit; Over Load/ Open Circuit/ Over Temperature.
- Output Power : 100W

Safety According to EN61347-1 , EN61347-2-13
EMI According to EN55015
EMS According to EN61000-3-2 ; EN61000-3-3 ; EN61547
EMF According to EN62493-2010
ERP According to EN1194-2012



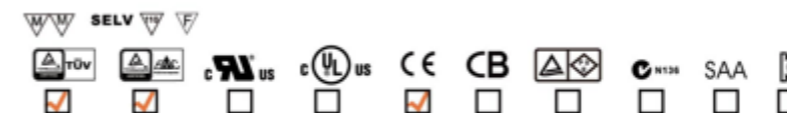
Dimension in mm

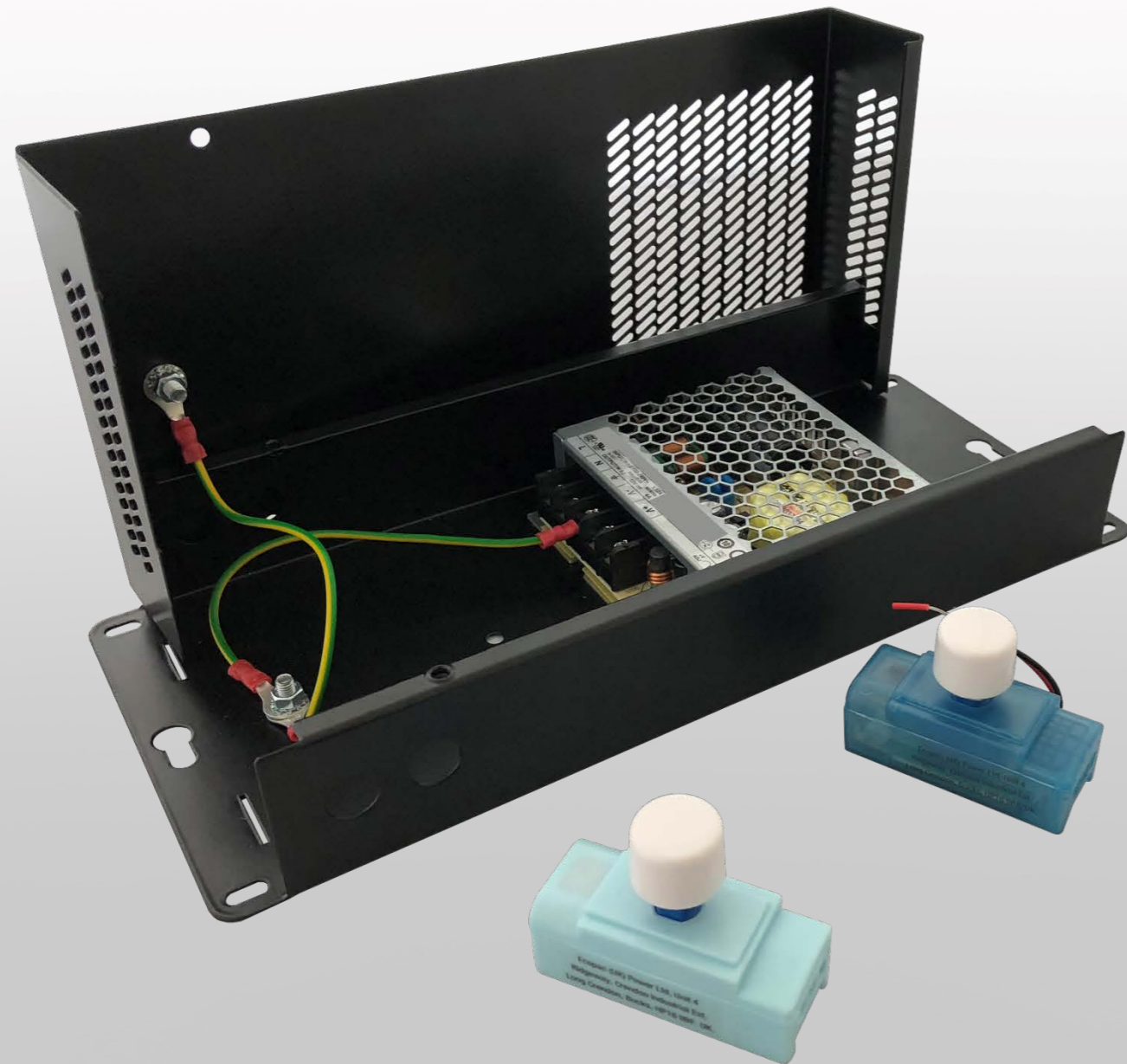


Characteristics

Rated input voltage: AC200-240V 50/60 Hz [power factor measured at AC230V and full load]

Model No.	Constant output Voltage	Load	Max output Current	PF	Ta	Tc	L x W x H
ECP100-12VFP-1	12V	0-100W	8.33A	>0.9	50°C	85°C	315.1x30x20
EPE100-24VFP-1	24V	0-100W	4.17A	>0.9	50°C	85°C	315.1x30x20





Power Supply Accessories

Enclosures Interfaces Dimmers



EcoDim Triac
Page 69



EcoDim-0-10V
Page 70



ECO-RS25-50
Page 71



ECO-R/S/P-25-320C
Page 72



ECO-ENC15150
Page 73



DALI-801-8A
Page 75



ECP-701-8A
Page 76



ECP-801-12A
Page 77

EcoDim-Triac

Mains Dimmable Version



Technical Data

- Triac leading edge phase control
- For use with resistive and inductive loads
- Integrated over-temperature protection fuse
- Module case ultrasonically sealed to reduce buzzing
- Smooth dimming operation from 0-100% light output
- Can be fitted to most dimmer plates
- Complies with the latest Electrical Safety Standards for dimmer switches EN60669-2-1:2000
- EMC Compliance – EN550155



Characteristics

Model No.	Input Voltage Type	Input Voltage (Max)	Input Voltage (Min)	LxWxH
EcoDim-Triac	AC	240V	220V	62 x 26 x 25

EcoDim-1-10V

1-10V Dimmable Version



Technical Data

- 1-10v Dimming control
- Integrated over-temperature protection fuse
- Module case ultrasonically sealed to reduce buzzing
- Fits a plaster depth (16mm) mounting box
- Complies with the latest Electrical Safety Standards for dimmer switches EN60669-2-1:2000
- EMC Compliance – EN55015



Characteristics

Model No.	Input Voltage Type	Input Voltage (Max)	Input Voltage (Min)	LxWxH
EcoDim-1-10V	DC	10V	1V	62.2 x 26 x 46.2

ECO-RS25-50

Power Supply Enclosure

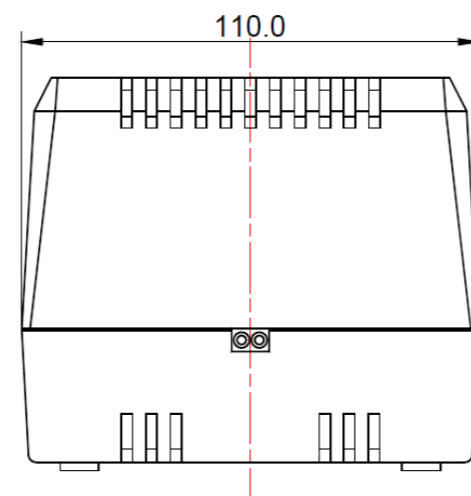
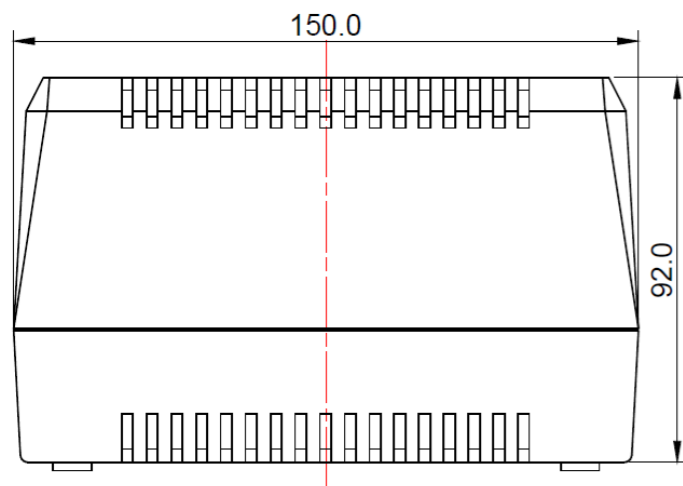


Technical Data

- Pre-drilled mounting holes for Mean Well power supplies
- Compatible with:
RS-25 Series
- RS-35 Series
- RS-50 Series
- Encloses live terminals
- Wall mountable



Dimension in mm



ECO-R/S/P-25-320C

Power Supply Enclosure

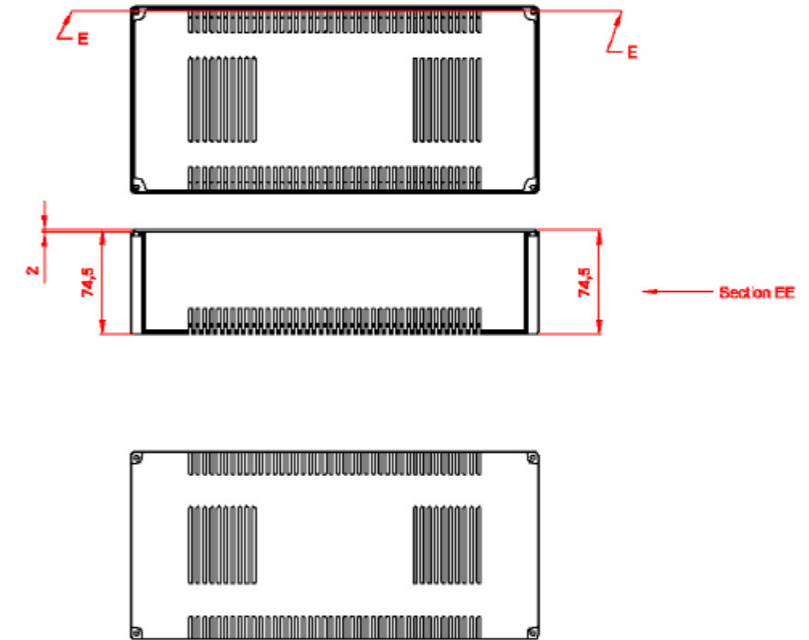


Technical Data

- Pre-drilled mounting holes for Mean Well power supplies
- Compatible with :
RS Series (15-150 watt)
- SP Series (75-320 watt)
- Includes strain retainer gauge
- Encloses live terminals
- Wall mountable



Dimension in mm



ECO-ENC15150

Power Supply Enclosure

Technical Data



- Pre-drilled mounting holes for Mean Well power supplies
- Compatible with:
 - RS-15 – 150 Series
 - LRS-35 – 150 Series
 - SP-75 – 150 Series
 - RSP-75 – 150 Series
 - HRRPG-75 – 150 Series
- Encloses live terminals
- Wall mountable
- 297 x132 x48 (DxWxH)



DALI-801-8A

Dimmer Interface

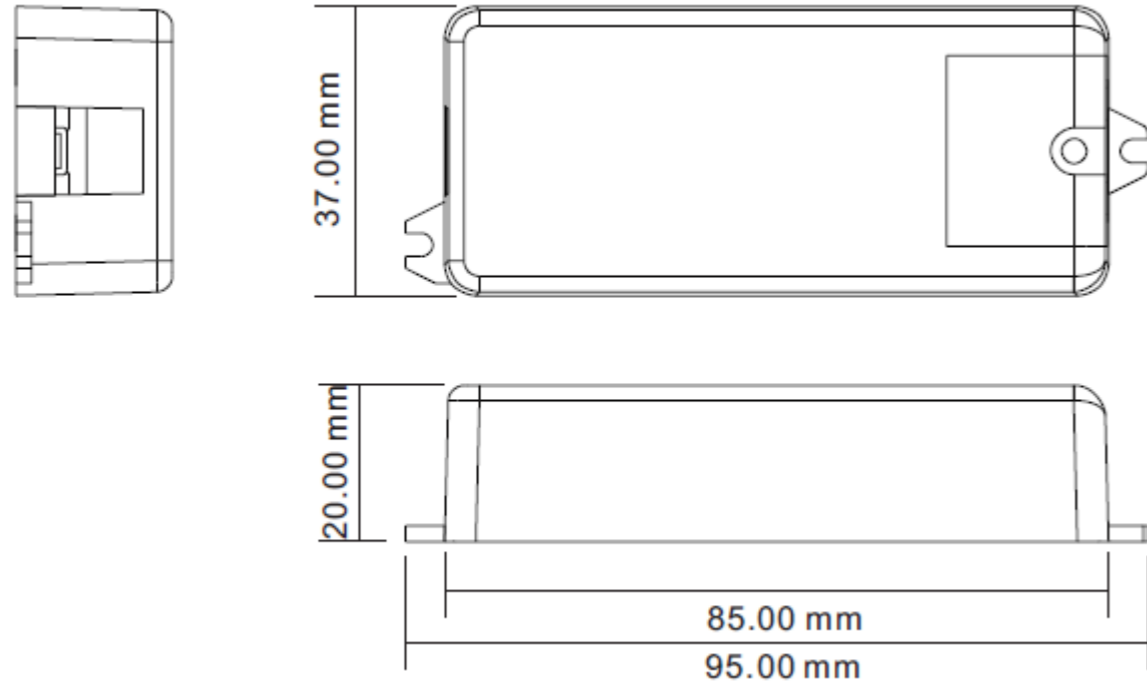
Technical Data

- Dali Dimmable
- 1 Dali address input, 1 channel output
- 8A Max
- Input range 12-36v



Dimension in mm

Model No.	Input	Current	Output	LxWxH
DALI-801-8A	12-36VDC	1x8A	1x(96-288)W	95 x 37 x 20

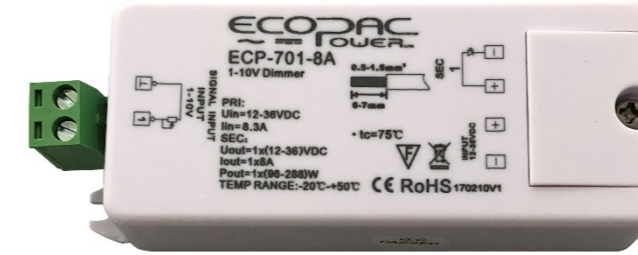


ECP-701-8A

Dimmer Interface

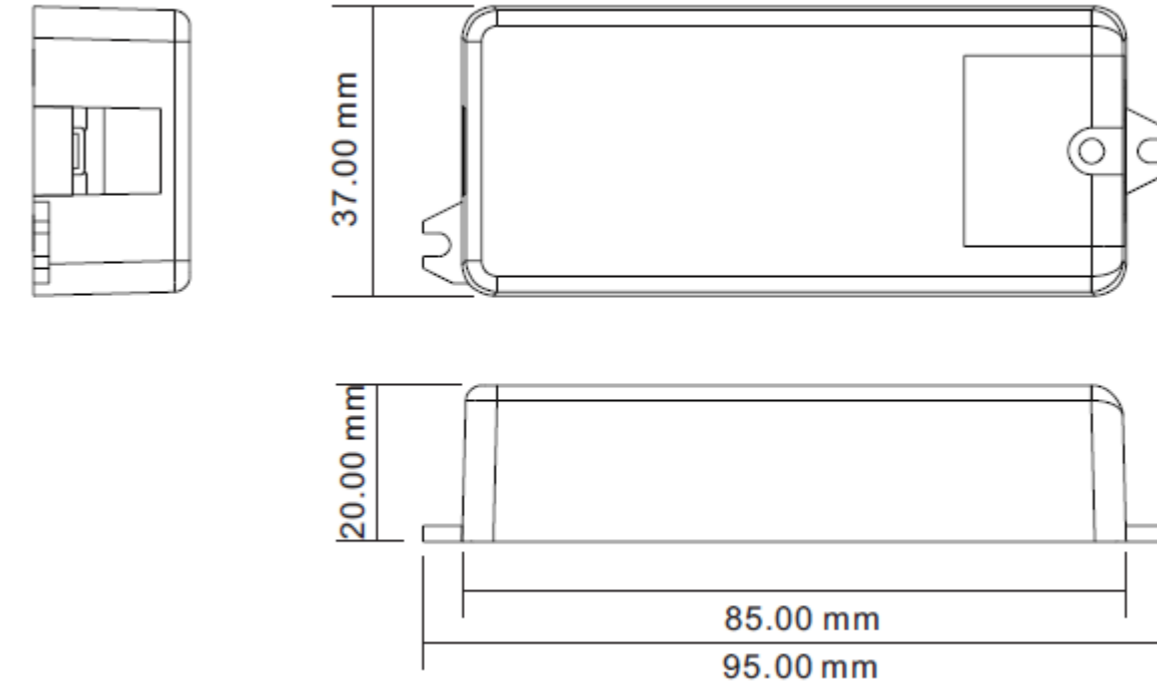
Technical Data

- 1-10V Dimmable
- Up to 8A
- Input range : 12-36V
- Compact design



Dimension in mm

Model No.	Input	Current	Output	LxWxH
ECP-701-8A	12-36VDC	1x8A	96-288W	95 x 37 x 20

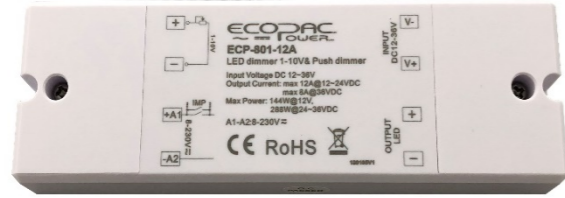


ECP-801-12A

Dimmer Interface

Technical Data

- 1-10v Dimmable
- ACC push dimmable
- 12A Max output (12/24v)
- 8A Max output (36v)
- Single output
- Input range : 12-36v



Dimension in mm

Model No.	Input	Current	Output	LxWxH
ECP-801-12A	12-36VDC	12A (12.24v) 8A (36v)	144w – 288w	145 x 46.5 x 16

