



90° Bends, Short, BS4825-2, Weld Ended, Imperial OD Tube					
Size Inch	Dimensions [mm]				Process Stainless Part Code
	OD	WT	L1	R	
1.00"	25.4	1.6	43.5	38.1	90S.BS.100
1.50"	38.1	1.6	64.0	57.2	90S.BS.150
2.00"	50.8	1.6	88.5	76.2	90S.BS.200
2.50"	63.5	1.6	114.0	95.3	90S.BS.250
3.00"	76.2	1.6	134.0	114.3	90S.BS.300
4.00"	101.6	2.0	174.0	152.4	90S.BS.400

90° Bends, Long, BS4825-2, Weld Ended, Imperial OD Tube					
Size Inch	Dimensions [mm]				Process Stainless Part Code
	OD	WT	L1	R	
0.50"	12.7	1.6	45.0	19.1	90L.BS.050
0.75"	19.1	1.6	60.0	28.6	90L.BS.075
1.00"	25.4	1.6	65.0	38.1	90L.BS.100
1.50"	38.1	1.6	85.0	57.2	90L.BS.150
2.00"	50.8	1.6	110.0	76.2	90L.BS.200
2.50"	63.5	1.6	135.0	95.3	90L.BS.250
3.00"	76.2	1.6	155.0	114.3	90L.BS.300
4.00"	101.6	2.0	195.0	152.4	90L.BS.400

45° Bends, BS, Weld Ended, Imperial OD Tube					
Size Inch	Dimensions [mm]				Process Stainless Part Code
	OD	WT	L1	R	
1.00"	25.4	1.6	31.8	38.1	45.BS.100
1.50"	38.1	1.6	41.3	57.2	45.BS.150
2.00"	50.8	1.6	58.7	76.2	45.BS.200
2.50"	63.5	1.6	76.2	95.3	45.BS.250
3.00"	76.2	1.6	93.7	114.3	45.BS.300
4.00"	101.6	2.0	122.2	152.4	45.BS.400

Material Grade	OD Surface Finish	Add Code	Product Specifications	
304L / 1.4307 Stainless Steel	Descaled	.4D	Certification Available	EN10204 3.1
316L / 1.4404 Stainless Steel	Descaled	.6D	Suits Tube Standard	BS4825-1
304L / 1.4307 Stainless Steel	Dull Polished	.4P	Suits Clamp Fittings	BS4825-3
316L / 1.4404 Stainless Steel	Dull Polished	.6P		



Equal Tees, BS4825-2, Weld Ended, Imperial OD Tube					
Size Inch	Dimensions [mm]				Process Stainless Part Code
	OD	WT	L1		
0.50"	12.7	1.6	32.0		TE.BS.050
0.75"	19.1	1.6	44.5		TE.BS.075
1.00"	25.4	1.6	43.5		TE.BS.100
1.50"	38.1	1.6	63.5		TE.BS.150
2.00"	50.8	1.6	88.5		TE.BS.200
2.50"	63.5	1.6	113.5		TE.BS.250
3.00"	76.2	1.6	133.5		TE.BS.300
4.00"	101.6	2.0	173.5		TE.BS.400

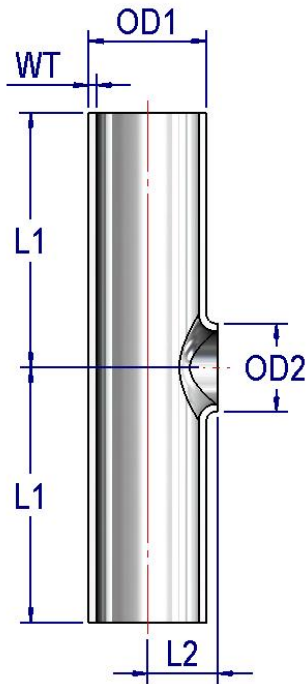
Pulled Tees, BS, Weld Ended, Imperial OD Tube					
Size Inch	Dimensions [mm]				Process Stainless Part Code
	OD	WT	L1	L2	
1.00"	25.4	1.6	43.5	14.2	TP.BS.100
1.50"	38.1	1.6	63.5	21.0	TP.BS.150
2.00"	50.8	1.6	88.5	29.1	TP.BS.200
2.50"	63.5	1.6	113.5	35.3	TP.BS.250
3.00"	76.2	1.6	133.5	41.4	TP.BS.300
4.00"	101.6	2.0	173.5	54.7	TP.BS.400

Swept Tees, BS, Weld Ended, Imperial OD Tube					
Size Inch	Dimensions [mm]				Process Stainless Part Code
	OD	WT	L1		
1.00"	25.4	1.6	65.0		TS.BS.100
1.50"	38.1	1.6	85.0		TS.BS.150
2.00"	50.8	1.6	110.0		TS.BS.200
2.50"	63.5	1.6	135.0		TS.BS.250
3.00"	76.2	1.6	155.0		TS.BS.300
4.00"	101.6	2.0	195.0		TS.BS.400

Material Grade	OD Surface Finish	Add Code	Product Specifications
304L / 1.4307 Stainless Steel	Descaled	.4D	Certification Available EN10204 3.1
316L / 1.4404 Stainless Steel	Descaled	.6D	Suits Tube Standard BS4825-1
304L / 1.4307 Stainless Steel	Dull Polished	.4P	Suits Clamp Fittings BS4825-3
316L / 1.4404 Stainless Steel	Dull Polished	.6P	



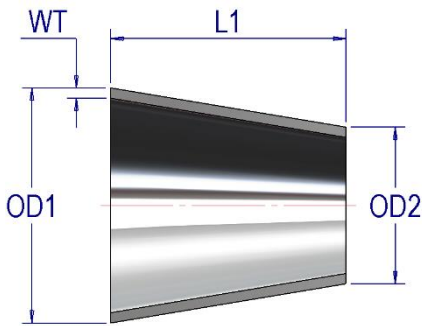
Pulled Reducing Tees, BS, Weld Ended, Imperial OD Tube						
Size Inch x Inch	Dimensions [mm]				Process Stainless Part Code	
	OD1	OD2	L1	L2		
1.00" x 0.50"	25.4	12.7	55.0	15.3	TR.BS.100.050	
1.00" x 0.75"	25.4	19.1	55.0	15.3	TR.BS.100.075	
1.50" x 0.50"	38.1	12.7	70.0	21.6	TR.BS.150.050	
1.50" x 0.75"	38.1	19.4	70.0	21.6	TR.BS.150.075	
1.50" x 1.00"	38.1	25.4	70.0	21.6	TR.BS.150.100	
2.00" x 1.00"	50.8	25.4	82.0	28.7	TR.BS.200.100	
2.00" x 1.50"	50.8	38.1	82.0	28.7	TR.BS.200.150	
2.50" x 1.00"	63.5	25.4	105.0	35.6	TR.BS.250.100	
2.50" x 1.50"	63.5	38.1	105.0	35.6	TR.BS.250.150	
2.50" x 2.00"	63.5	50.8	105.0	35.6	TR.BS.250.200	
3.00" x 1.00"	76.2	25.4	110.0	41.5	TR.BS.300.100	
3.00" x 1.50"	76.2	38.1	110.0	41.5	TR.BS.300.150	
3.00" x 2.00"	76.2	50.8	110.0	41.5	TR.BS.300.200	
3.00" x 2.50"	76.2	63.5	110.0	41.5	TR.BS.300.250	
4.00" x 1.00"	101.6	25.4	150.0	54.2	TR.BS.400.100	
4.00" x 1.50"	101.6	38.1	150.0	54.2	TR.BS.400.150	
4.00" x 2.00"	101.6	50.8	150.0	54.2	TR.BS.400.200	
4.00" x 2.50"	101.6	63.5	150.0	54.2	TR.BS.400.250	
4.00" x 3.00"	101.6	76.2	150.0	54.2	TR.BS.400.300	



Material Grade	OD Surface Finish	Add Code	Product Specifications	
304L / 1.4307 Stainless Steel	Descaled	.4D	Certification Available	EN10204 3.1
316L / 1.4404 Stainless Steel	Descaled	.6D	Suits Tube Standard	BS4825-1
304L / 1.4307 Stainless Steel	Dull Polished	.4P	Suits Clamp Fittings	BS4825-3
316L / 1.4404 Stainless Steel	Dull Polished	.6P		



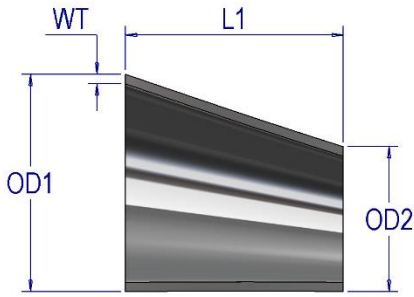
Concentric Reducers, BS, Weld Ended, Imperial OD Tube						
Size Inch x Inch	Dimensions [mm]				Process Stainless Part Code	
	OD1	OD2	WT	L1		
0.75" x 0.50"	19.1	12.7	1.6	TBC	RC.BS.075.050	
1.00" x 0.50"	25.4	12.7	1.6	TBC	RC.BS.100.050	
1.00" x 0.75"	25.4	19.1	1.6	TBC	RC.BS.100.075	
1.50" x 0.50"	38.1	12.7	1.6	TBC	RC.BS.150.050	
1.50" x 0.75"	38.1	19.4	1.6	TBC	RC.BS.150.075	
1.50" x 1.00"	38.1	25.4	1.6	TBC	RC.BS.150.100	
2.00" x 0.50"	50.8	12.7	1.6	TBC	RC.BS.200.050	
2.00" x 0.75"	50.8	19.4	1.6	TBC	RC.BS.200.075	
2.00" x 1.00"	50.8	25.4	1.6	TBC	RC.BS.200.100	
2.00" x 1.50"	50.8	38.1	1.6	TBC	RC.BS.200.150	
2.50" x 1.00"	63.5	25.4	1.6	TBC	RC.BS.250.100	
2.50" x 1.50"	63.5	38.1	1.6	TBC	RC.BS.250.150	
2.50" x 2.00"	63.5	50.8	1.6	TBC	RC.BS.250.200	
3.00" x 1.00"	76.2	25.4	1.6	TBC	RC.BS.300.100	
3.00" x 1.50"	76.2	38.1	1.6	TBC	RC.BS.300.150	
3.00" x 2.00"	76.2	50.8	1.6	TBC	RC.BS.300.200	
3.00" x 2.50"	76.2	63.5	1.6	TBC	RC.BS.300.250	
4.00" x 1.00"	101.6	25.4	1.6	TBC	RC.BS.400.100	
4.00" x 1.50"	101.6	38.1	1.6	TBC	RC.BS.400.150	
4.00" x 2.00"	101.6	50.8	1.6	TBC	RC.BS.400.200	
4.00" x 2.50"	101.6	63.5	1.6	TBC	RC.BS.400.250	
4.00" x 3.00"	101.6	76.2	1.6	TBC	RC.BS.400.300	



Material Grade	OD Surface Finish	Add Code	Product Specifications	
304L / 1.4307 Stainless Steel	Descaled	.4D	Certification Available	EN10204 3.1
316L / 1.4404 Stainless Steel	Descaled	.6D	Suits Tube Standard	BS4825-1
304L / 1.4307 Stainless Steel	Dull Polished	.4P	Suits Clamp Fittings	BS4825-3
316L / 1.4404 Stainless Steel	Dull Polished	.6P		



Eccentric Reducers, BS, Weld Ended, Imperial OD Tube						
Size Inch x Inch	Dimensions [mm]				Process Stainless Part Code	
	OD1	OD2	WT	L1		
0.75" x 0.50"	19.1	12.7	1.6	TBC	RE.BS.075.050	
1.00" x 0.50"	25.4	12.7	1.6	TBC	RE.BS.100.050	
1.00" x 0.75"	25.4	19.1	1.6	TBC	RE.BS.100.075	
1.50" x 0.50"	38.1	12.7	1.6	TBC	RE.BS.150.050	
1.50" x 0.75"	38.1	19.4	1.6	TBC	RE.BS.150.075	
1.50" x 1.00"	38.1	25.4	1.6	TBC	RE.BS.150.100	
2.00" x 0.50"	50.8	12.7	1.6	TBC	RE.BS.200.050	
2.00" x 0.75"	50.8	19.4	1.6	TBC	RE.BS.200.075	
2.00" x 1.00"	50.8	25.4	1.6	TBC	RE.BS.200.100	
2.00" x 1.50"	50.8	38.1	1.6	TBC	RE.BS.200.150	
2.50" x 1.00"	63.5	25.4	1.6	TBC	RE.BS.250.100	
2.50" x 1.50"	63.5	38.1	1.6	TBC	RE.BS.250.150	
2.50" x 2.00"	63.5	50.8	1.6	TBC	RE.BS.250.200	
3.00" x 1.00"	76.2	25.4	1.6	TBC	RE.BS.300.100	
3.00" x 1.50"	76.2	38.1	1.6	TBC	RE.BS.300.150	
3.00" x 2.00"	76.2	50.8	1.6	TBC	RE.BS.300.200	
3.00" x 2.50"	76.2	63.5	1.6	TBC	RE.BS.300.250	
4.00" x 1.00"	101.6	25.4	1.6	TBC	RE.BS.400.100	
4.00" x 1.50"	101.6	38.1	1.6	TBC	RE.BS.400.150	
4.00" x 2.00"	101.6	50.8	1.6	TBC	RE.BS.400.200	
4.00" x 2.50"	101.6	63.5	1.6	TBC	RE.BS.400.250	
4.00" x 3.00"	101.6	76.2	1.6	TBC	RE.BS.400.300	



Material Grade	OD Surface Finish	Add Code	Product Specifications	
304L / 1.4307 Stainless Steel	Descaled	.4D	Certification Available	EN10204 3.1
316L / 1.4404 Stainless Steel	Descaled	.6D	Suits Tube Standard	BS4825-1
304L / 1.4307 Stainless Steel	Dull Polished	.4P	Suits Clamp Fittings	BS4825-3
316L / 1.4404 Stainless Steel	Dull Polished	.6P		