

The logo for MATCON, featuring the word "MATCON" in a bold, sans-serif font with a registered trademark symbol. The letters "M" and "A" are connected, and the "T" is a simple vertical bar. The "C" and "O" are also connected, and the "N" is a simple vertical bar. The logo is white on a dark blue background.

MATCON[®]

POWDERS, HANDLED.

A large industrial blending machine, likely a V-blender, is shown in a dark blue, semi-transparent overlay. The machine has a central horizontal shaft with several vertical mixing blades. It is mounted on a metal frame. The background is a light blue gradient.

LIQUID ADDITIONS DURING BLENDING

EXPANDING THE RANGE OF
POWDER BLENDING.

Automated addition of liquids to
powders during blending.

A thin white line with a small upward-pointing triangle in the center, serving as a decorative separator.

www.matconibc.com



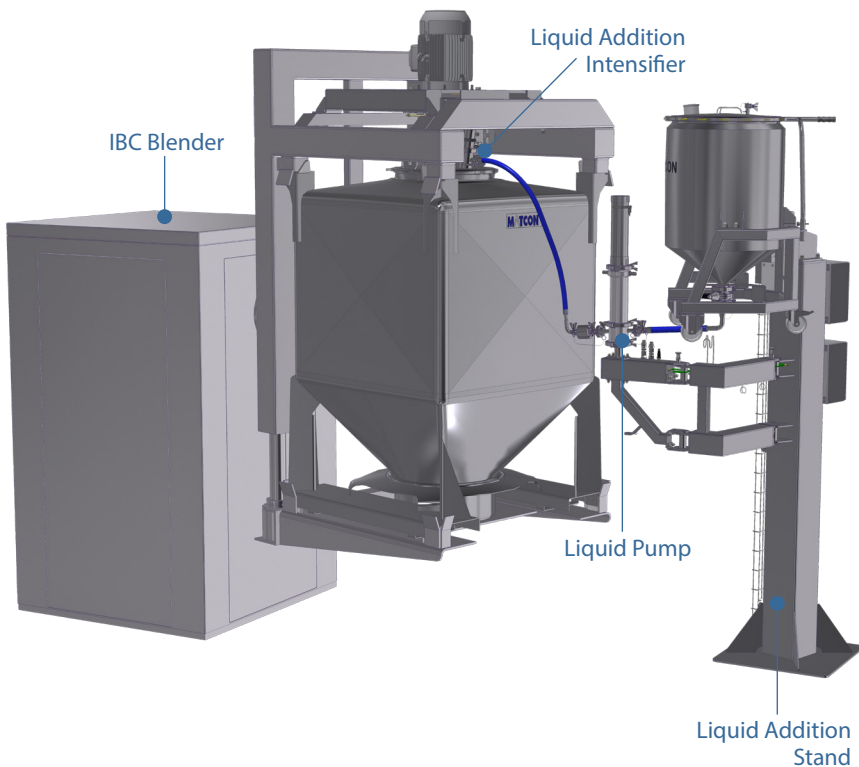
POWDERS, HANDLED.

Inject liquid into a powder mix during blending within an IBC Tumble Blender

Matcon's Liquid Addition System expands the range of the Tumble Blender and is ideally suited to industries that need to add liquid to a powder recipe in a contained, efficient manner.

Directly add liquids without opening the blending vessel or manual intervention, thereby speeding up the mixing process as there is no need to stop and restart the blender.

This flexible and hygienic system will reduce manual handling and improve containment, further enhancing the benefits of IBC Blending.



THE MATCON LIQUID ADDITION MODULE

Rapid integration of liquid through high shear mixing

Remove the need for two stage blending

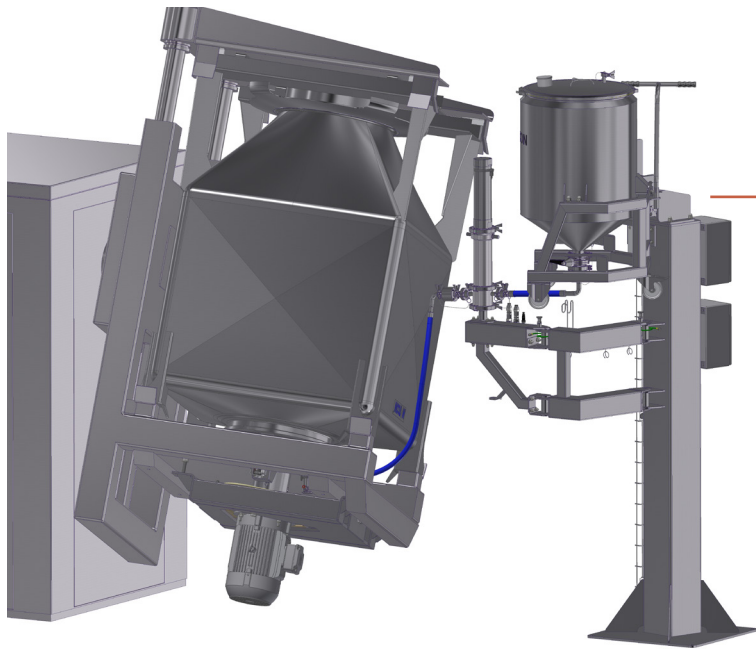
Maintain containment as liquids are injected during blending

Control the amount of liquid injected for accurate dispersion

Reduce 'live' manual handling, liquid tank is filled offline ready for use

Deliver pre-programmed recipes for ease of use

Change out parts can be cleaned 'offline' to keep the blender in production



Maintain containment, reduce downtime,
widen blending capabilities.

Automated, even dispersion of liquids
to your powder recipe during the
mixing process.

Rapid integration of liquid through high shear
mixing.

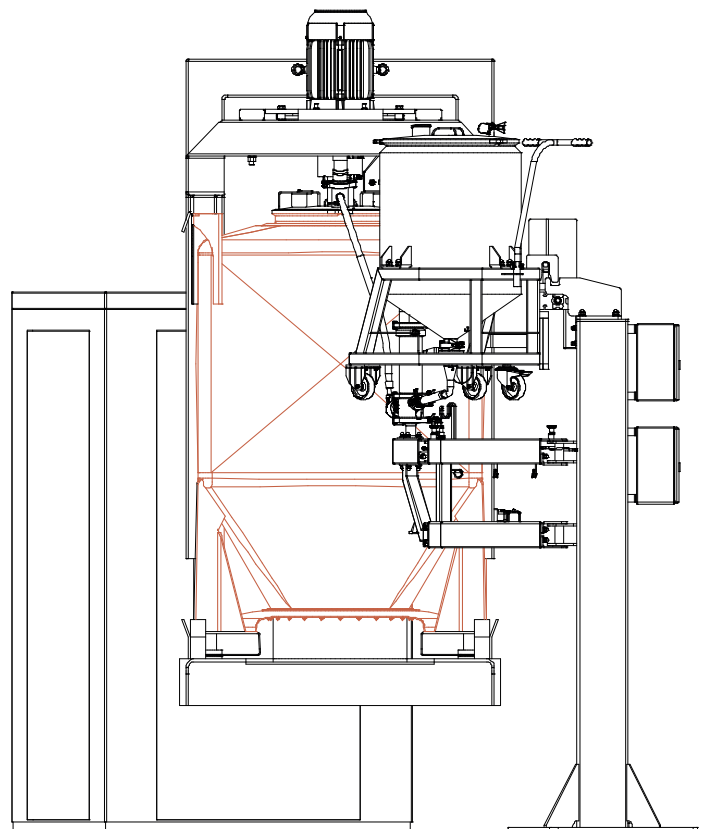
Injection of liquid while tumble blending via
rotary union.

Injection directly into powder mass at
Intensifier blade tip.

Deliver additions of liquids in the range of
5-150 litres.

200-800g typical injected amount per
revolution.

Loss in weight monitoring on liquid tank.



STRUCTURE SIZES ARE
DEPENDENT UPON IBC SIZE

MATCON®

POWDERS, HANDLED.

We specialise in providing complete materials handling solutions in the Food, Nutrition, Pharmaceutical and Chemical sectors.

We're not just an IBC provider, but a true partner helping you accomplish the right system for your needs.



THE POWDER HANDLING EXPERTS

www.matconibc.com

MATCON, Bramley Drive, Vale Park West, Evesham, Worcestershire, WR11 1JH, UK

Tel: +44 (0) 1386 769 000 Fax: +44 (0) 870 191 1116

