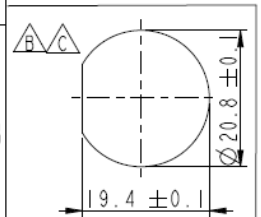
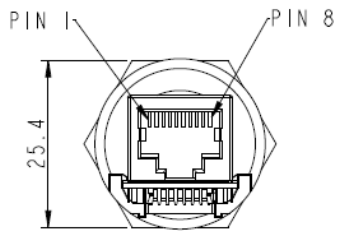
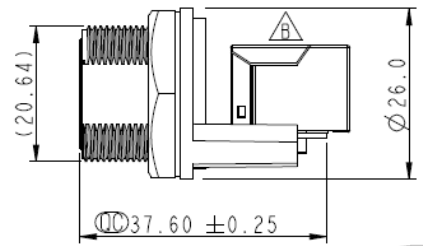
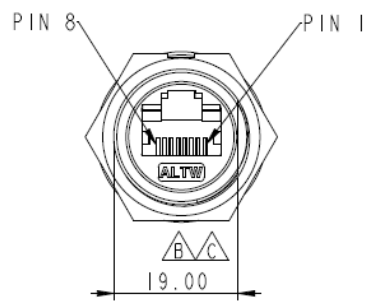
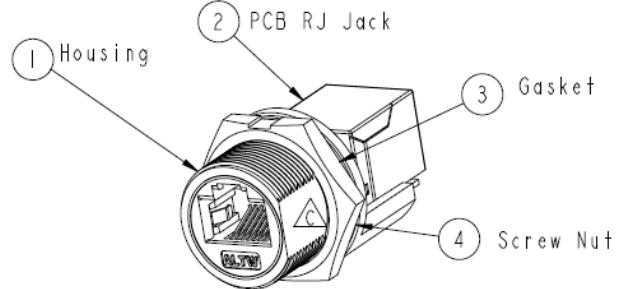
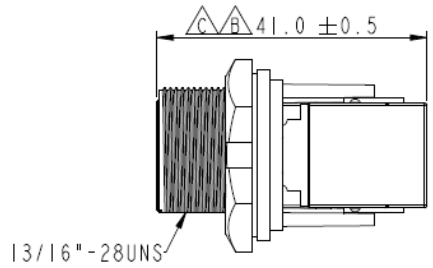


THIS DOCUMENT IS SUBJECT TO CHANGE WITHOUT NOTICE. IT IS CONFIDENTIAL AND A PROPERTY OF AMPHENOL LTM. DISCLOSURE TO THIRD PARTY HAS TO BE AUTHORIZED BY AMPHENOL LTM.

REV.	ECN NO.	DATE	SIGN	DESCRIPTION
B	LE313A0297	2013-09-07	Raison	Modify Jack, Note. Change H Cut
C	LEN1440106	2014-04-10	Tom_gu	Change H Cut To D Cut



Recommended Panel Cut-out Rear View

ALTW
CONFIDENTIAL
 2014-04-10
R&D DEPT.

ALTW
 DCC. DEPT.
CONFIDENTIAL
 2014.04.21
ISSUED

- Note:
- * \varnothing Important Dimension
 - * Waterproof Rate : IP67 Unmated
 - * Housing : Nylon+GF, UL 94V-0, BLACK
 - * Screw Nut : Nylon+GF, BLACK
 - * \triangle Gasket : Silicone, UL 94V-0, Gray.
 - * PCB: FR-4
 - * Jack : PBT Polyester UL 94V-0
 - * \triangle Use without Waterproof cap or Dust cap
For Panel Thickness Max: 4.2mm
 - * Use with Waterproof cap or Dust cap
For Panel Thickness Max: 3.0mm
 - * \triangle Screw torsion value range: 8-12kgf-cm

UNIT: mm	TITLE RJ45, C SIZE, WATERPROOF		
TOLERANCE .X ±0.25 .XX ±0.1 .XXX ±0.05 ANGLES ±1°	SCALE 1:1	SIZE A4	SHEET 1 OF 1
	REV. C	MC-REV. C.2	\varnothing : Inspection item



ITEM NO. SEL58-7P3231	DRAWN BY Tom_gu	DATE 2014-04-10
DWG. NO.	CHECKED BY Tony	DATE 2014-04-10
CUSTOMER ALTW	APPROVED BY Victor	DATE 2014-04-10