



SAFETY AT THE HIGHEST LEVEL

Safety Solutions For A Portable Deadweight Anchor



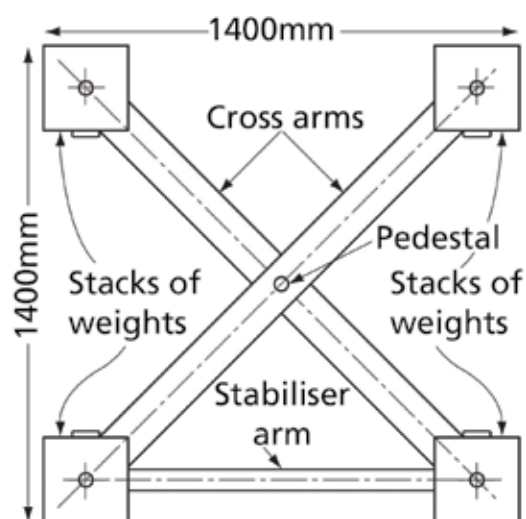
- CE APPROVED TO PPE DIRECTIVE
- GALVANISED TO BS EN ISO 1461 WHERE APPLICABLE
- FULLY PORTABLE – NO STRUCTURAL ATTACHMENT OR PENETRATION OF ROOF SURFACE OR SURROUNDINGS



Portable Deadweight Anchor System

The **KEE ANCHOR** range of products is centred on the **WEIGHTANKA** portable deadweight anchor designed for use where the installation of collective protection or permanent anchor devices is not viable. A basic system weighs only 250Kg, with no single item weighing more than 25kg, making this a very practical and convenient option. If anyone needs to abseil down a building, **ACCESSANKA** provides a stable platform for the attachment of rope access lines. **WIREANKA** is the first anchor device to be approved for use as supports for Class C horizontal flexible safety lines. Each of the products has been independently tested by the National Engineering Laboratory and is CE approved to meet the PPE Directive.

As a leading supplier of fall protection solutions, Kee Safety offers a range of collective and personal protection products including **KEEGUARD**, **KEE DOME**, **KEE ROOFPOINT** and **KEE I-BOLT**. Our technical team can offer practical assistance in all aspects of design, installation and compliance with relevant standards for each of these products.



Weightanka

A KEE SAFETY PRODUCT

Why you need WEIGHTANKA

WEIGHTANKA is a mobile, deadweight anchor device for use on roofs of up to 5 degrees pitch, where the absence of guardrails or permanent anchor devices would otherwise preclude safe means of access. **WEIGHTANKA** is the first Class "E" anchor device to be approved for use on all roof surfaces when wet and also for use downhill on metal clad roofs (subject to the addition of two extra weights). **WEIGHTANKA** utilises a central pedestal (attachment point) which raises the height at which the arrest force is applied, thus reducing the distance the anchor device moves during a fall arrest event.



'Kee' Features and Benefits of WEIGHTANKA

Features

- Independently tested at N.E.L. (National Engineering Laboratory, East Kilbride N.B. 0320)
- Conforms to CLASS E EN 795, BS 7883 & ISO 14567
- CE Approved to PPE Directive
- Galvanised to BS EN ISO 1461
- Does not penetrate the roof surface
- Baseweights fully encased in rubber moulding, with 10 year guarantee
- Raised central pedestal reduces the distance of travel during a fall arrest event

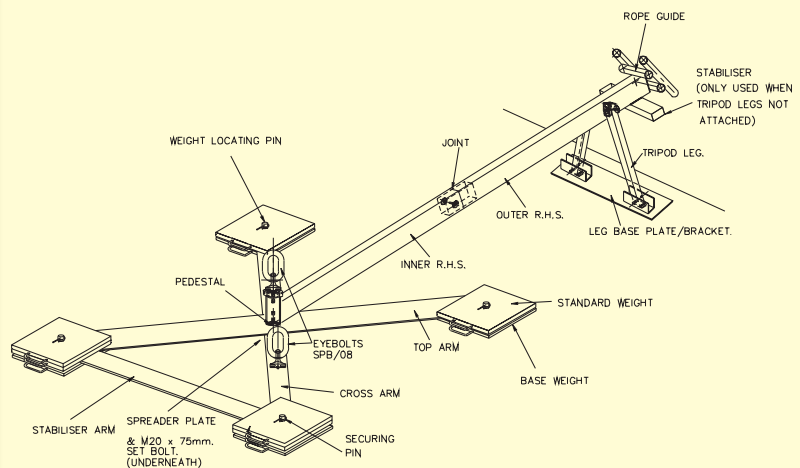
Benefits

- No need for expensive Inertia reels
- Rubber moulded base weights prevent rubber pads 'peeling' at the edges
- With the correct model it can be used on any of the following roof surfaces in WET or DRY conditions:
Single Ply Membrane Asphalt
Steel Cladding Concrete
Stone Chippings (Brushed)
Mineral Felt
- Can be used on roofs up to 5° pitch
- For fall restraint up to 2 workers may be attached providing they cannot get to less than 500mm from the edge
- Easy and quick to assemble with fewer loose components than others on the market

Accessanka

A KEE SAFETY PRODUCT

Portable Deadweight Anchor System for Rope Access



ACCESSANKA is designed as an accessory to **WEIGHTANKA** to provide a portable anchor device for rope access workers, allowing them to work safely in accordance with BS7985, the "Code of Practice for the Use of Rope Access Methods for Industrial Purposes". When correctly installed, the system is extremely stable and will not migrate across the roof surface either in normal use or when arresting the fall of both a worker and a rescuer up to a 200kg limit. **ACCESSANKA** has been designed for easy transportation and installation with no part over 25kg or 2 metres.

'Kee' Features and Benefits of ACCESSANKA

Features

- Independently tested at N.E.L. (National Engineering Laboratory, East Kilbride N.B. 0320)
- Conforms to CLASS B & E EN 795, BS 7883 & ISO 14567
- CE Approved to PPE Directive
- Self contained portable anchor device
- Does not penetrate the roof surface
- Separate anchor point for working line and back up line
- Modular construction
- Internally force balanced system causes the assembly to remain static, even when arresting the fall of both worker and rescuer

Benefits

- Requires no attachment to structural members
- Easily moved across roof surface, removing need for multiple attachment points
- Rope lines held away from edge of building reducing risk of abrasion
- Provides full fall arrest protection before approaching edge
- Aluminium, galvanised and rubber coated parts requiring minimum maintenance

Wireanka

A KEE SAFETY PRODUCT

Deadweight Anchor System for Flexible Safety Lines

WIREANKA is a system of deadweight anchor devices designed to support Class 'C' horizontal, flexible safety lines to EN 795. It is intended for use on flat roofs, in temporary situations, or where it is preferable that penetration of the roof surface be avoided.

WIREANKA is the first deadweight anchor to have been tested and approved for Fall Arrest use with Class 'C' systems to EN 795. For fall arrest purposes no more than one user may be attached to the system at any one time. Special configurations (at extra cost) allow for additional users. For restraint use, up to three users may be attached at any one time.



To be classified as restraint, the position of the **WIREANKA** and the length of the lanyard must ensure it is not possible to approach within 500mm of a roof edge or other opening.

‘Kee’ Features and Benefits of WIREANKA

Features

- **First deadweight support to be approved for Class ‘C’ horizontal flexible safety lines**
- **Independently tested at N.E.L. (National Engineering Laboratory, East Kilbride N.B. 0320)**
- **Conforms to Class C EN 795 & ISO 14567**
- **CE Approved to PPE Directive**
- **Galvanised to BS EN ISO 1461**
- **Does not penetrate the roof surface**
- **Base weights fully encased in rubber moulding, with 10 year guarantee**

Benefits

- **Suitable for use on any premises where disruption of day-to-day running by opening the roof is to be avoided**
- **With the correct model it can be used on any of the following roof surfaces in WET or DRY conditions:**

Single Ply Membrane	Asphalt
Steel Cladding	Concrete
Stone Chippings (Brushed)	
Mineral Felt	
- **Rubber moulded base weights prevent rubber pads ‘peeling’ at the edges**

Extremity Pedestals

The ‘mass’ of the extremity **WIREANKA** assembly will depend on the type of roof surface on which the system is erected.

Type of Roof Surface	Quantity of Rubber Weights	Quantity of Galvanised Weights
Asphalt, Concrete, Mineral Felt or Stone Chippings <small>Total Mass = 300kg</small>	4	8
Steel Clad Roofs <small>Total Mass 350kgs</small>	4	10
Flat, Smooth single Ply Membrane <small>Total Mass = 400kg</small>	4	12
Embossed Single Ply Membrane <small>total Mass = 500kg</small>	4	16

Note: 500kg Extremity Anchors will produce point loadings in excess of the usual 100kg limit. The advice of a structural engineer should be sought.

Conditions of Use

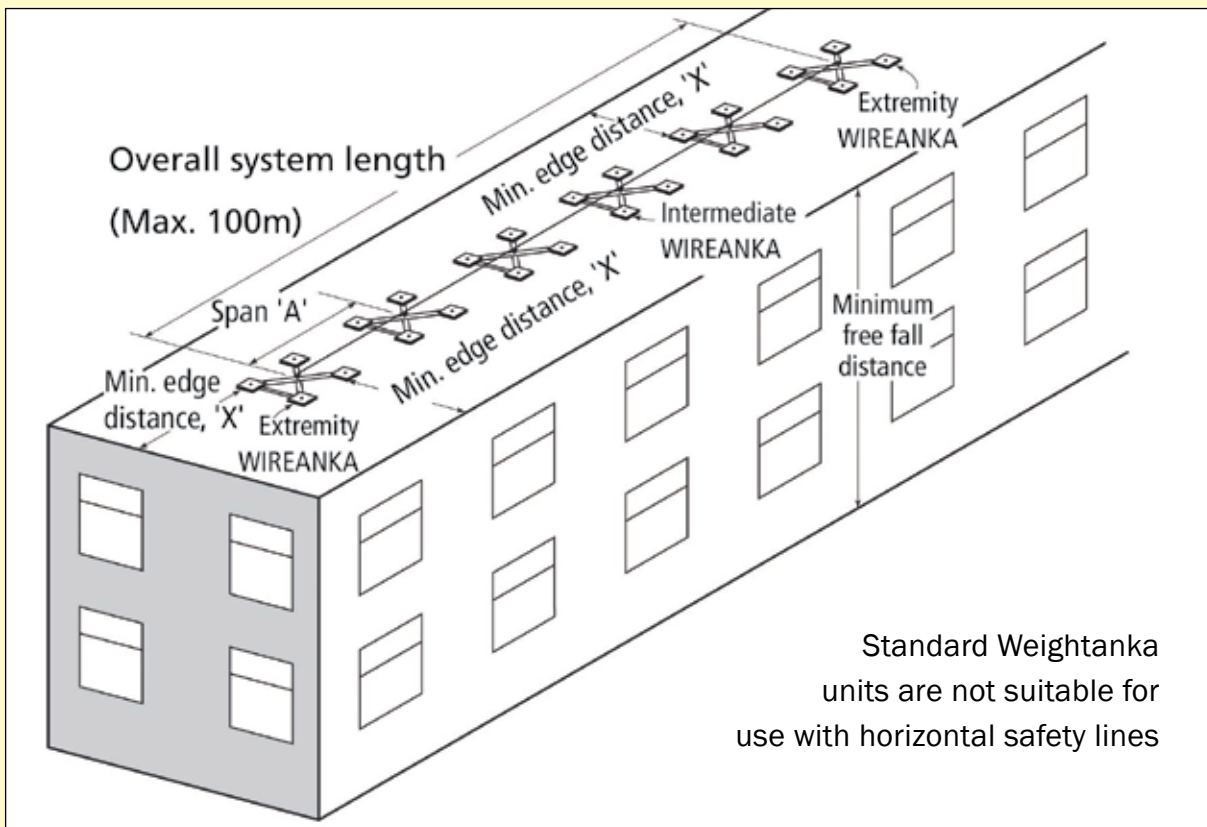
Condition of roof surface	Wet or Dry
Mass of Extremity Anchor	See Table above
Mass of Intermediate Anchor	250kg (4 rubber weights + 6 galvanised weights)
EXCEPT on Embossed Membrane	400kg (4 rubber weights + 12 galvanised weights)
Maximum span between WIREANKA supports	Wire systems – 15m
Maximum overall length of system	100m (15m on single span wire systems)

Fall Arrest Systems

All Systems						
Maximum Span (m)	5	6	8	10	12	15
Minimum Free Fall Distance (m)	5.2	5.4	5.8	6.2	6.6	7.2
Minimum Edge Distance (m)	2.5	2.5	3.0	3.0	4.0	4.0

Restraint Only Systems

All Systems						
Maximum Span (m)	5	6	8	10	12	15
Minimum Edge Distance (m)	2.5	2.5	2.5	2.5	Consult our technical department	



Kee Safety Ltd
1 Boulton Road
Reading
Berkshire
RG2 0NH

Tel: 0118 931 1022
Fax: 0118 931 1146

Email: sales@keesafety.com
Web: www.keesafety.com

Kee Safety Ltd
Cradley Business Park
Overend Road, Cradley Heath
West Midlands
B64 7DW

Tel: 01384 632390
Fax: 01384 632391

Email: enquiries@keesafety.com
Web: www.keesafety.com