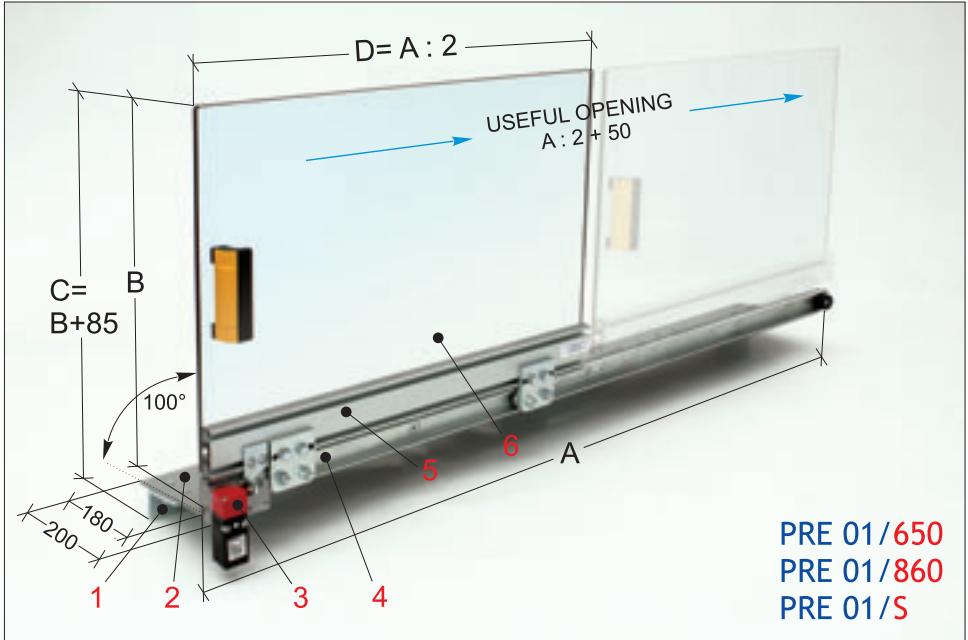


## Safety guard for universal and surface Grinders

Equipped with sliding door on a steel guide and tempered bearings  
Supported by inclined structure used for liquid collection - Also customized on request



Protects the operator from direct contact with rotating parts of the grindstone and from the projection of lubricant-coolant - Attachable to the machine by solid inclined sheet metal, also used for liquid collection.

Equipped with sliding door made in thick shockproof plastic material, sliding on steel guides and positioned externally - Complete with safety microswitch.

- 1 Angular anchorage stirrups
- 2 Inclined support sheet metal - in sheet steel
- 3 Safety microswitch with separated actuator with n.2 NC contacts
- 4 Steel sliding guide with tempered bearings
- 5 Shield support structure - in aluminium profile
- 6 Shield in shockproof and oil-resistant thick plastic material

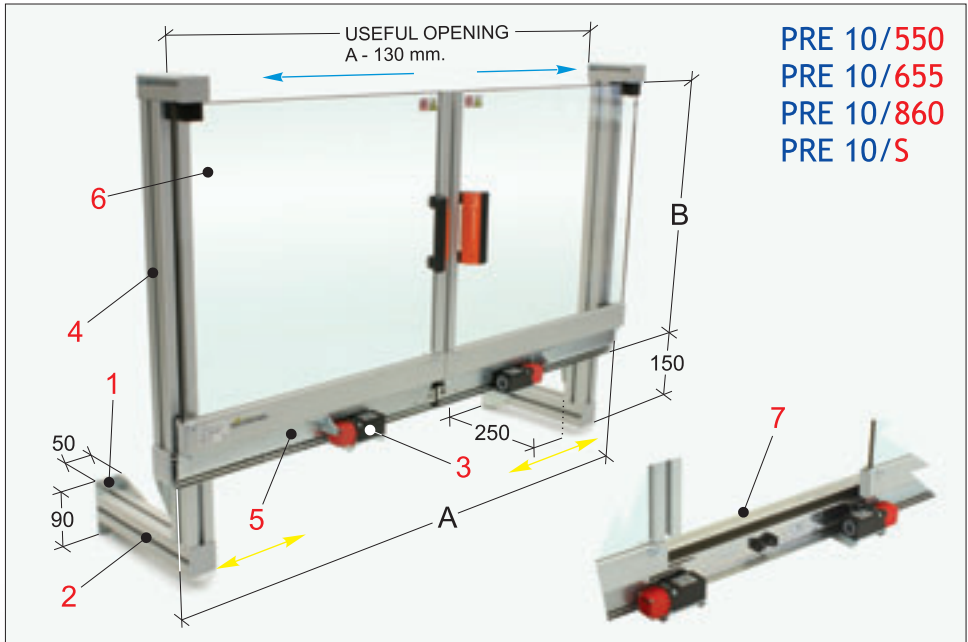


Code	PRE 01/650	PRE 01/860	PRE 01/S
A	1200	1600	....
B	500	600	....



## Safety guard for universal and surface Grinders

Equipped with two sliding doors on telescopic total-opening ball guides  
Available with double anchorage system - Also customized on request



Protects the operator from direct contact with rotating parts of the grindstone and from the projection of lubricant-coolant.

Attachable to the fix base of the machine with two horizontally multi-adjustable supports, (point 2) that allow an anchorage of the guard from the bottom side (as shown) or frontally - the supports are also easily shortened if necessary - Equipped with two "total opening" sliding doors on ball guides, made in thick plastic material - Complete with double safety microswitch.

- 1 Angular anchorage stirrups - in pressed steel
- 2 Multi-adjustable support structure, with two different attachment systems
- 3 Safety microswitch with separated actuator - n.2 NC contacts
- 4 Perimeter structure - in aluminium profile
- 5 Sliding ball guides, with an excursion equal to their length
- 6 Shields in shockproof and oil-resistant thick plastic material
- 7 Inner inclined structure for lubricant liquid collection - in aluminium sheet



Code	PRE 10/550	PRE 10/655	PRE 10/860	PRE 10/S
A	1000	1200	1600	....
B	510	560	660	....