



The Link Mirage seat is a highly effective seat specifically designed for sports stadia. Its ergonomic design provides high levels of spectator comfort over long periods. The Mirage provides maximum value solutions in the useful range of 460mm - 480mm seat centres to maximise spectator capacity whilst retaining high levels of comfort. The gravity operated tip up mechanism utilising a concealed and sealed counterweight ensures a low maintenance reliable tip action and gives an attractive modern presentation of the stadium eliminating unsightly reinforcing rings and corrosion prone fittings.

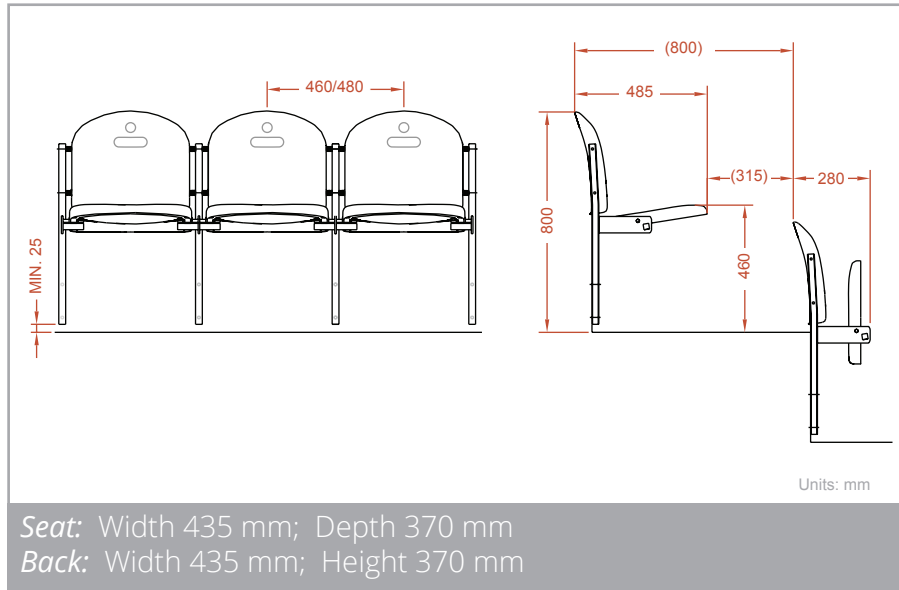


The Link Mirage is available in the full range of RAL colours and with a choice of upholstery, arm and cup-holder options for VIP applications. With thousands of seats installed in stadia across the world, the Link Mirage has a proven track record of reliability and cost effective service in a huge range of sports and entertainment applications.



The Link Mirage seat also features a unique, optional tamper-proof clip-in system which facilitates rapid seat pan renewal without the need to slacken off adjacent seat legs.

Dimensions



We reserve the right to change the specifications of the products described in this leaflet at any time.

Features

- 460mm – 480mm seat centres
- Polypropylene copolymer - smooth anti-static surface for easy cleaning
- Self-lubricating pivot bush
- Designed-in recesses for seat numbering and branding
- Auto tipping by sealed concealed counterweight – no springs or gas struts to fail.
- EN 12727 accredited to level 4
- Tread or riser fix leg options.
- Fully galvanised legs for long term corrosion resistance
- Highly vandal resistant

Options

- UV resistance additives
- Fire Rating additives
- VIP “Club” Upholstery – weather resistant vinyl or interior fabrics
- WVIP “Director” Upholstery – weather resistant vinyl or interior fabrics
- Armrests available in polypropylene or upholstered to suit the application
- Folding leg for use in telescopic tiered applications
- Unique tamper proof clip on seat option for rapid renewal
- Seat numbering using either self-adhesive or aluminium discs
- Factory fitted branding inserts
- Full range of RAL colours
- Colour coated leg options in a range of colours and finishes

