



METAL CLEANING

—
EVOLUTION

Teknox 



WORKSHOP DIVISION



This model is ideal for the manual washing of small and medium size mechanical parts.

Two versions are available, the electric (with heating of the liquid) and the completely pneumatic version.

The quality of the washing is guaranteed by a high-pressure pump and special spray nozzle.

These nozzle can be substituted quickly with a traditional washing brush.

An air-compressed pistol is included to dry the pieces and also a pneumatic steam aspirator.

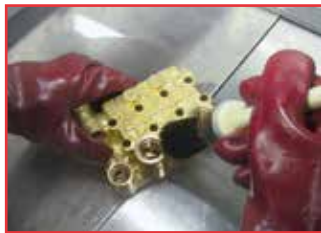
The version LPX is particularly suitable to eliminate encrustments and difficult dirt thanks to its adjustable washing jet pressure, max. 80 Bar.



LAVAPEN

MANUAL
PART WASHER

80
BAR



The ultrasonic washing system by Teknox has been designed for a heavy and continuous use due to its high quality materials and to the latest technology.

Ultrasonic washing is carried out by Weber Ultrasonics GmbH generators and transducers.

Standard machines include an automatic mobile platform for high loading capacity in stainless steel, an additional tank for oil-trimming collection and circulating pump.



K-SERIES

ULTRASONIC
PARTS WASHERS



SPEED SPEED



P 60/80
P 100/120

MECHANICAL
PART WASHER,
ROTATING BASKET WITH
ELECTRO-MECHANICAL
COMMANDS



SIMPLICITY
SIMPLICITY

This model is ideal for the automatic washing of small and medium size mechanical parts. The washing is carried out by the action of a series of jets, upper, lower and side, together with the slow motorised rotation of the basket. The operator can program the liquid temperature as well as the length of the treatment cycle.

Atom is a model ideal for the automatic washing of medium and large size mechanical parts.

The washing is carried out by the action of a series of jets, upper, lower and side, and the controlled rotation of the jets is guaranteed by a powerful steel pump.

The operator can program the liquid temperature as well as the length of the treatment cycle.



ATOM

MECHANICAL
PART WASHER,
ROTATING TUBES WITH
ELECTRO-MECHANICAL
COMMANDS



SIMPLICITY
SIMPLICITY

A line of machines for the automatic washing of small and medium size mechanical parts. The high quality of the washing is obtained by special jets and the slow controlled rotation of the basket. PLC and display Touchscreen management enable a complete personalization of the washing cycles. The high number of accessories available make these machines suitable for every need.



SIMPLEX

MECHANICAL PART
WASHER, ROTATING
BASKET WITH PLC
AND TOUCHSCREEN



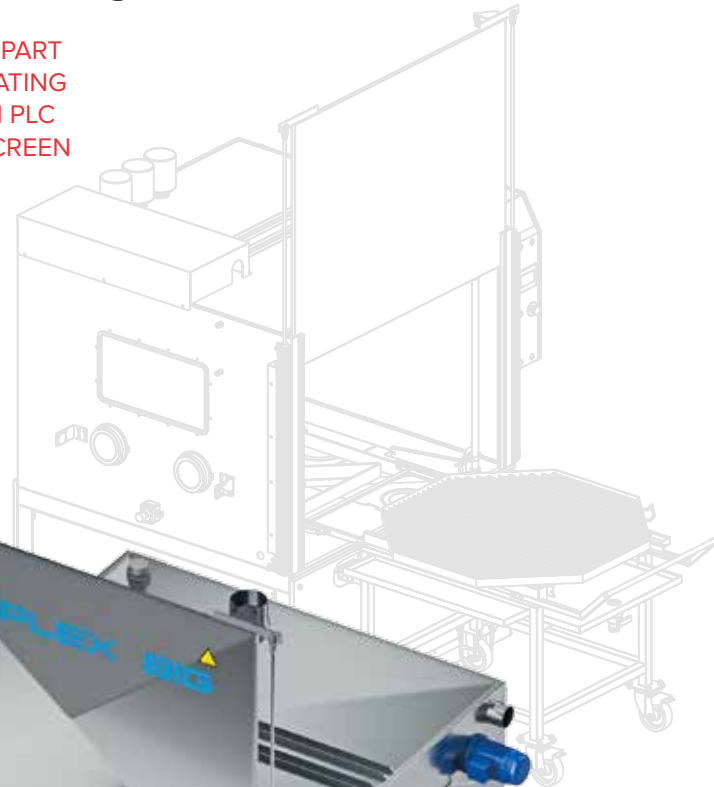
FLEXIBILITY
FLEXIBILITY

A line of machines for the automatic washing of medium and large size mechanical parts. The high quality of the washing is obtained by special jets and the slow controlled rotation of the basket.



SIMPLEX BIG

MECHANICAL PART
WASHER, ROTATING
BASKET WITH PLC
AND TOUCHSCREEN



Two versions are available, one bath (washing) and two baths (washing and rinsing). PLC and display Touchscreen management enable a complete personalization of the washing cycles. The high number of accessories available make these machines suitable for every need.



COMPLETENESS
COMPLETENESS



www.teknox.net

YouTube

TEKNOX ITALY

ADDRESS

Via Mori, 6
40054 Prunaro di Budrio
Bologna - Italy

PHONE

+ 39 051 800862

FAX

+ 39 051 803769

EMAIL

info@teknox.net